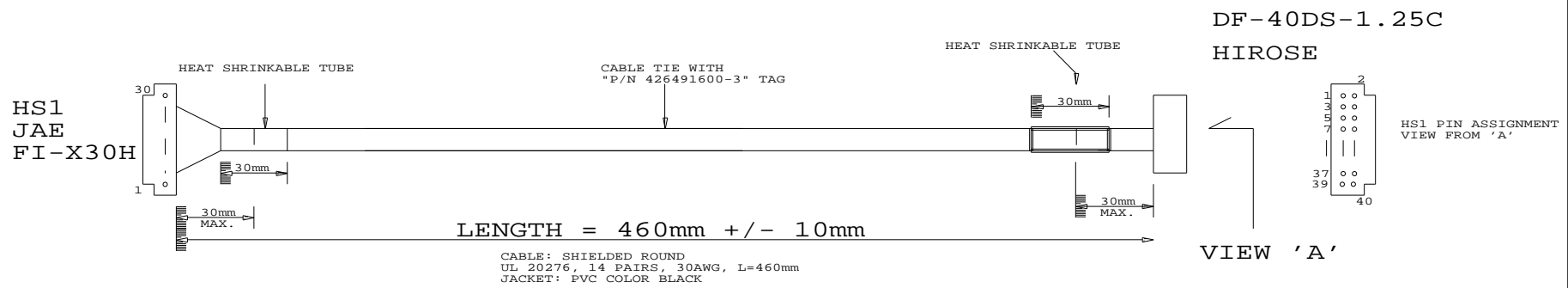


TOLERANCE :  
+1.0mm  
-1.0mm



USAGE:  
SUPPORTED CONTROLLERS:  
HD-1600  
SVH-1920  
SP-1600  
JH-1600

P/N 426491600-3  
LVDS PANEL CABLE: 460m

ROHS  
COMPLIANCE

DIGITAL VIEW LTD. COPYRIGHT 2006, ALL RIGHTS RESERVED CONFIDENTIAL		
DRAWN BY: VICTOR NG		
Title	LVDS CBL 460mm	
Size	Document Number	REV
B	(...\DV\DV_CABLE\C6491600.SCH)	01
Date:	September 21, 2007	Sheet 1 of 1