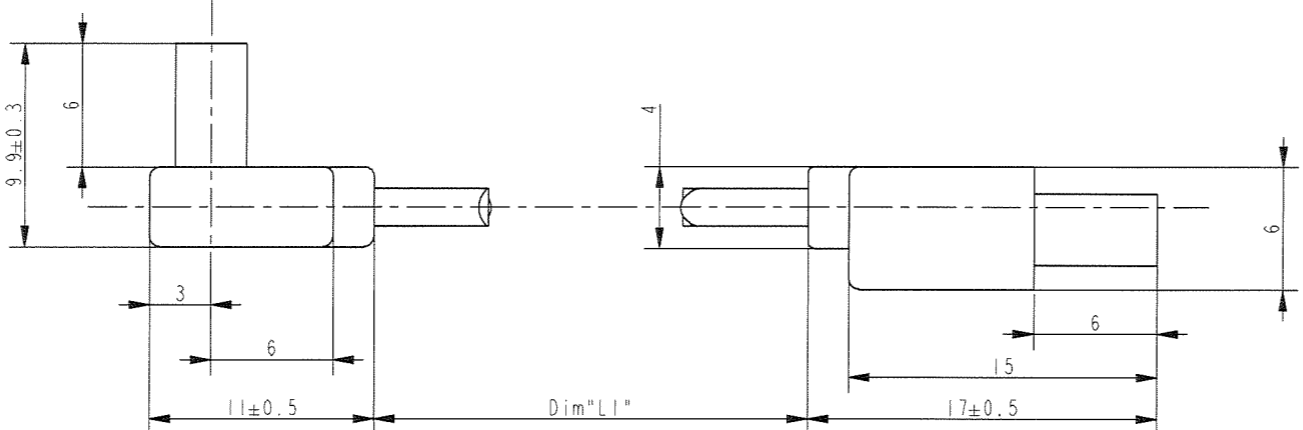
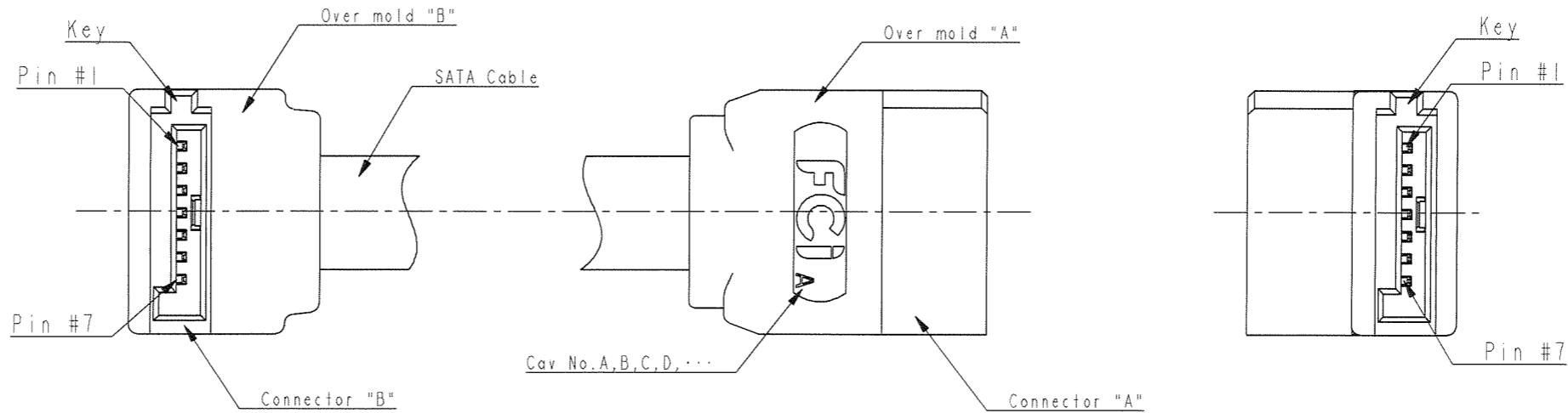
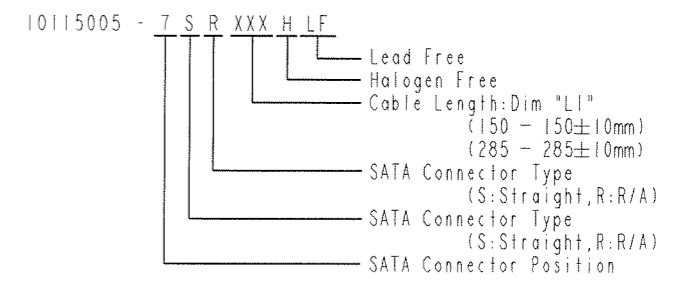


1	2	3	4	5	6	7	8
Product NO.	Dim "L1"	Connector "A"	Connector "B"	Over mold "A" and "B"	SATA Cable	Solder	
10115005-7SR470HLF	470±10	SATA 7P Receptacle connector Straight type	SATA 7P Receptacle connector Right-angle type	Heat resistant resin, Halogen Free, UL94V-0, Color Black	80℃ 30V AWG30 Halogen Free, VW-1, with F mark, Color Black	Sn96.5-Ag3.0-Cu0.5 Lead Free	
10115005-7SR500HLF	500±10	Housing, Back Cover: Heat resistant resin, Halogen Free, UL94V-0, Color Black Contact: Copper Alloy Contact Area: Gold plating over Ni plating	Housing, Back Cover: Heat resistant resin, Halogen Free, UL94V-0, Color Black Contact: Copper Alloy Contact Area: Gold plating over Ni plating				
10115005-7SR540HLF	540±10						
10115005-7SR830HLF	830±10						
10115005-7SR910HLF	910±10						

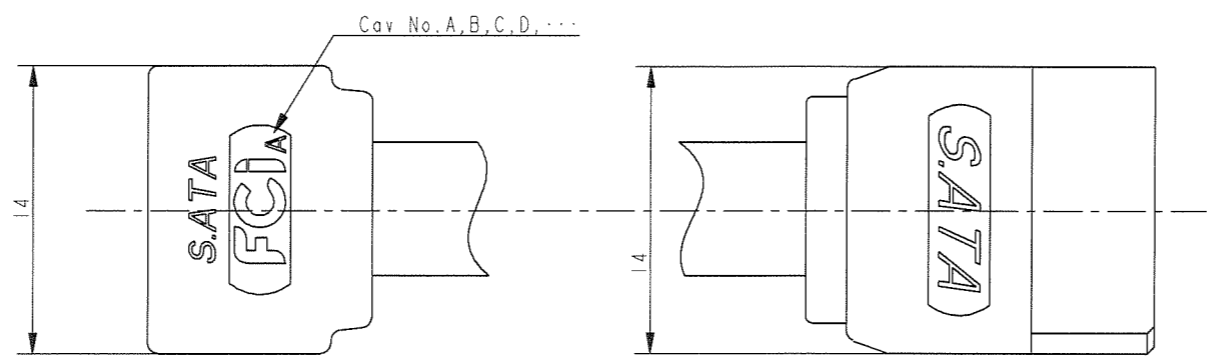


NOTE)  
 1) This product is based on Serial ATA Revision 2.6.  
 2) This product is manufactured by soldering process.  
 3) About the other Dim "L1" length, please inquire to sales person in our company.  
 4) Product SPEC: GS-12-672  
 5) Package SPEC: GS-14-1056  
 6) Application SPEC: GS-20-138  
 7) P/N composition



Wiring Table:  
Pin Assignment

Connector "B"		Connector "A"	
Type	Pin #	Key	Pin #
GND	#1	Key	#1
A+	#2		#2
A-	#3		#3
GND	#4		#4
B-	#5		#5
B+	#6		#6
GND	#7		#7



Copyright FCI

www.fciconnect.com		surface ISO 1302	tolerance std ISO 406 ISO 1101	projection	MM
Dr. T. Ishishita 2010-10-14		TOLERANCES UNLESS OTHERWISE SPECIFIED		size A2	Scale N/A
rev	ech no	dr	date	ANGULAR	LINEAR
A	J10-0210	T.1	2010-10-14	0.X ±0.4	0.XX ±0.4
Chr. T. Ishishita 2010-10-14		0° ±4°		0.XXX ±0.4	ECN J10-0210
Appr. [Signature] 10/19/10				Product family	233F Spec ref
FCI		SATA 7P Signal Cable Harness		10115005	
Straight/RightAngle LowPro type		catalog no		CUSTOMER sheet 1 of 1	