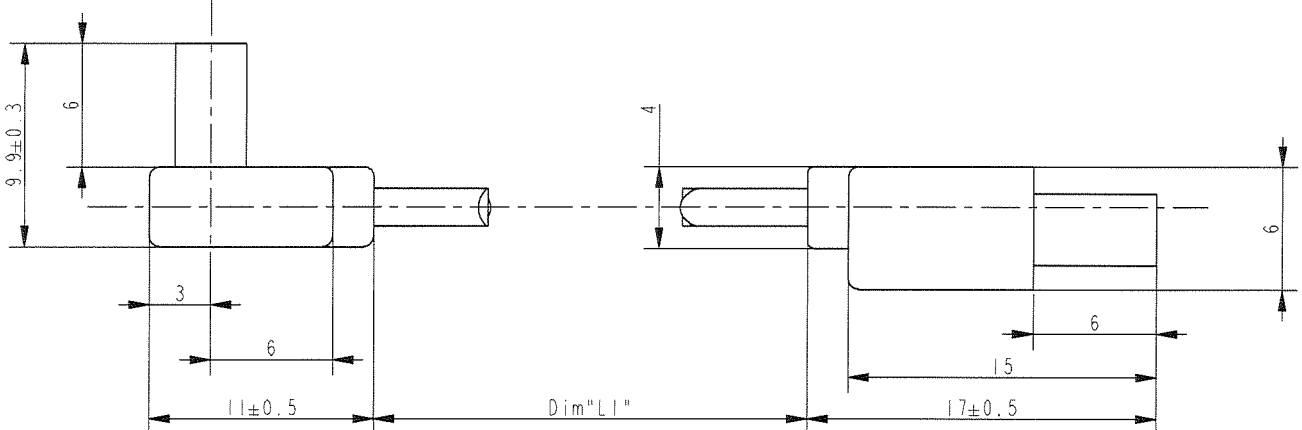
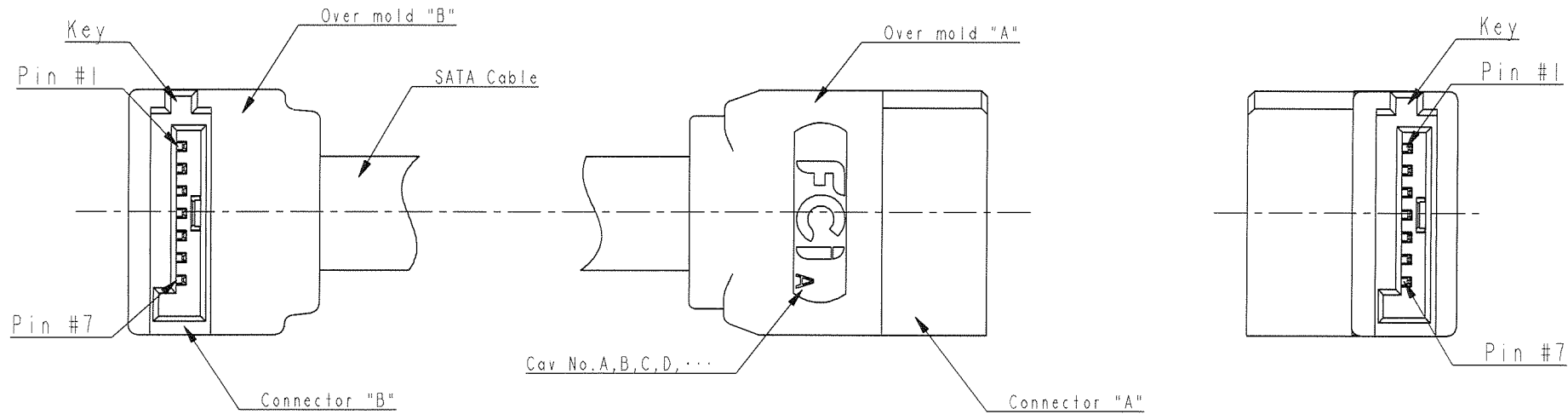
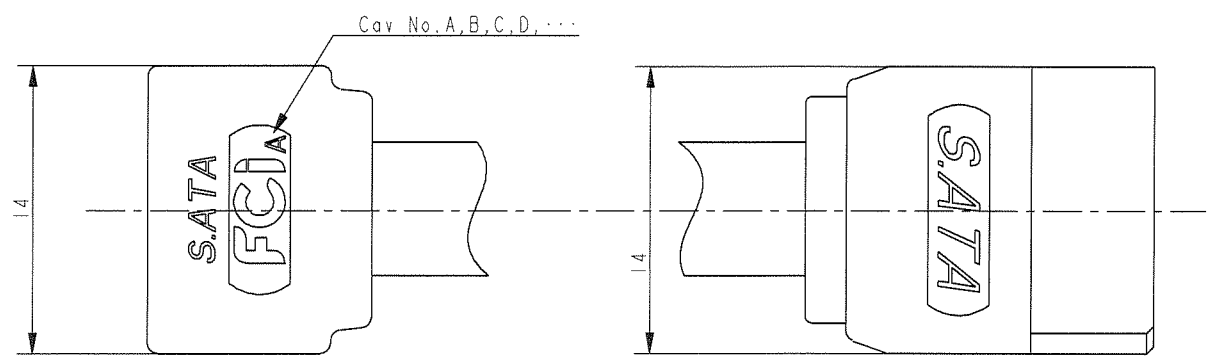
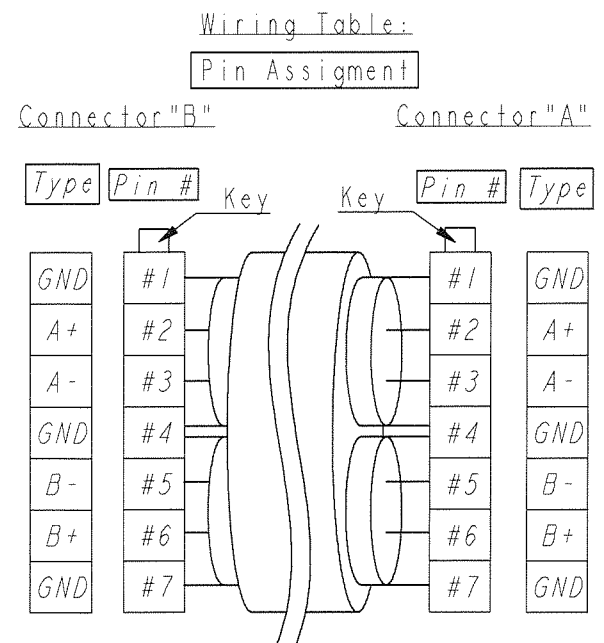
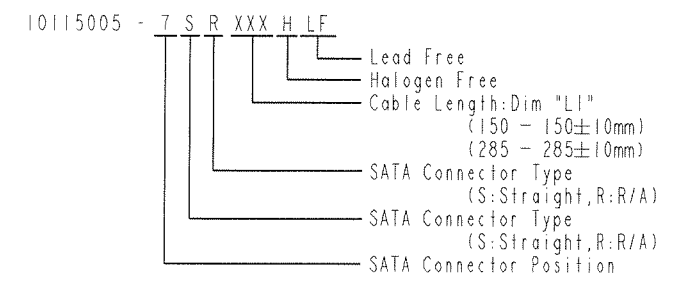


1	2	3	4	5	6	7	8
Product NO.	Dim "L1"	Connector "A"	Connector "B"	Over mold "A" and "B"	SATA Cable	Solder	
10115005-7SR470HLF	470±10	SATA 7P Receptacle connector Straight type	SATA 7P Receptacle connector Right-angle type	Heat resistant resin, Halogen Free, UL94V-0, Color Black	80℃ 30V AWG30 Halogen Free, VW-1, with F mark, Color Black	Sn96.5-Ag3.0-Cu0.5 Lead Free	
10115005-7SR500HLF	500±10	Housing, Back Cover: Heat resistant resin, Halogen Free, UL94V-0, Color Black Contact: Copper Alloy Contact Area: Gold plating over Ni plating	Housing, Back Cover: Heat resistant resin, Halogen Free, UL94V-0, Color Black Contact: Copper Alloy Contact Area: Gold plating over Ni plating				
10115005-7SR540HLF	540±10						
10115005-7SR830HLF	830±10						
10115005-7SR910HLF	910±10						



NOTE)

- 1) This product is based on Serial ATA Revision 2.6.
- 2) This product is manufactured by soldering process.
- 3) About the other Dim "L1" length, please inquire to sales person in our company.
- 4) Product SPEC: GS-12-672
- 5) Package SPEC: GS-14-1056
- 6) Application SPEC: GS-20-138
- 7) P/N composition



www.fciconnect.com		surface ISO 1302	tolerance std ISO 406 ISO 1101	projection	MM
Dr. T. Ishishita 2010-10-14		TOLERANCES UNLESS OTHERWISE SPECIFIED		size A2	Scale N/A
rev	ech no	dr	date	ANGULAR	LINEAR
A	J10-0210	T.1	2010-10-14	0.X ±0.4	0.XX ±0.4
Chr. T. Ishishita 2010-10-14		0° ±4°		0.XXX ±0.4	ECN J10-0210
Appr. [Signature] 10/19/10				Product family	233F Spec ref
FCI		SATA 7P Signal Cable Harness		dwg no	10115005
Straight/RightAngle LowPro type		catalog no		CUSTOMER	sheet 1 of 1

Copyright FCI