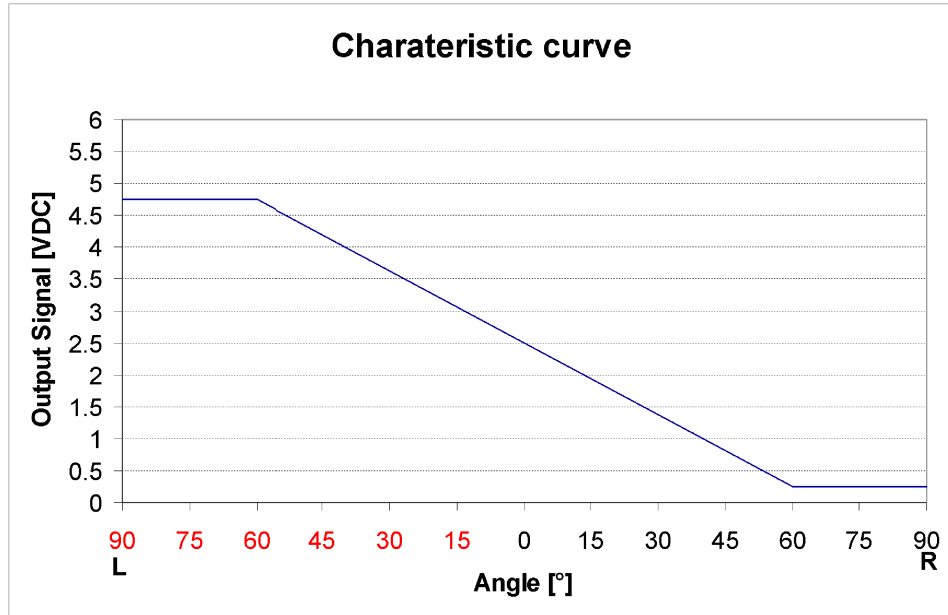
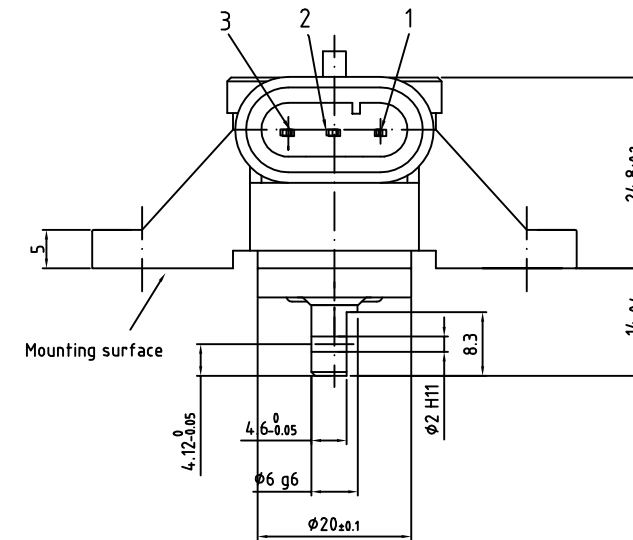
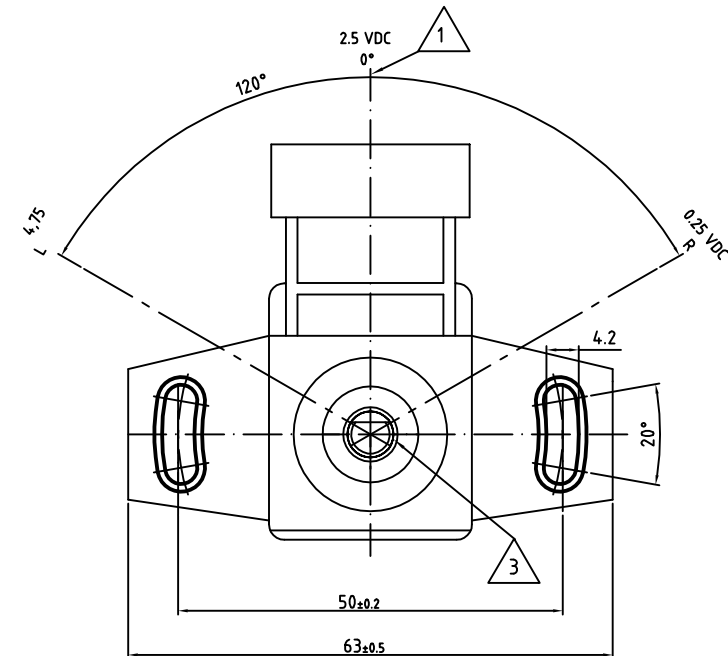
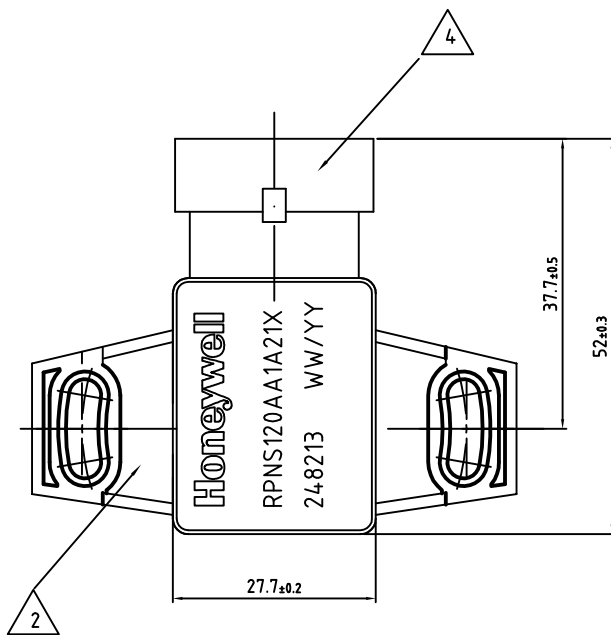




HONEYWELL
PART NUMBER
RPNS120AA1A21X

REV	CHANGE DOCUMENT	CHANGED BY	CHECK
A	0040247	VS 23JUN08	BLR

Technical Data	
Function	Angular Sensor
Sensor principle	Contact-free, Hall effect
Measuring range	120°
Mechanical end stop	None
Supply voltage	10 – 30 VDC
Current consumption max.	20 mA
Output signal	
Angle /°	Output signal
L (60°)	4.75 VDC
0°	2.5 VDC
R (60°)	0.25 VDC
Delay of the output signal	approx. 3 ms
Reverse polarity protection	Yes
Output	24h short-circuit proof
EMC	200V/m acc. to ISO 11452-3
Ambient conditions	
Operating temperature:	- 40°C bis + 85°C
Temperature range (storage)	- 40°C bis + 125°C
protection class	IP67 acc. to DIN 40050
Tightening torque of the mounting screw max.	2,5 Nm ± 0,5 Nm
Accuracy	±1,6% / 2mV/°
Hysteresis	None
Linearity	±5°
Cycles of rotation	30 x 10 ⁶ cycles



- 1 Zero point
- 2 Housing Material PA66
- 3 Shaft Material Stainless Steel
- 4 Tab Connector acc. to AMP Superseal 1.5 Series 282105 Shall mate with Receptacle Connector 282087-1

φ6	g6	-0.004	5.996
		-0.012	5.988
φ2	H11	+0.06	2.06
		0	2
Dimension	Tolerance		

Pin configuration	
1	GND
2	Ub 10-30 VDC
3	4.75-0.25 VDC

DESIGN UNITS:	MM
TOLERANCES UNLESS NOTED:	
GEOMETRICAL TOLERANCE ACCORDING TO DIN ISO 1101	
GENERAL TOLERANCES ACCORDING TO DIN 16901-130B	
THIRD ANGLE PROJECTION	

DRAWN	JA	19 JUN 08
CHECK	JLH	19 JUN 08
THIS DRAWING COVERS A PROPRIETARY ITEM AND IS THE PROPERTY OF HONEYWELL. THIS DRAWING IS NOT TO BE COPIED OR USED WITHOUT THE PERMISSION OF HONEYWELL.		
INTERPRET PER ASME Y14.5M-1994 OTHER HONEYWELL ENGINEERING STANDARDS MAY APPLY		
AutoCad	2D	SCALE

Honeywell			
TITLE ANGULAR SENSOR ±60°			
SIZE	TYPE	DRAWING NAME	REV
A3	I	RPNS120AA1A21X	A
SHEET		1	OF 1