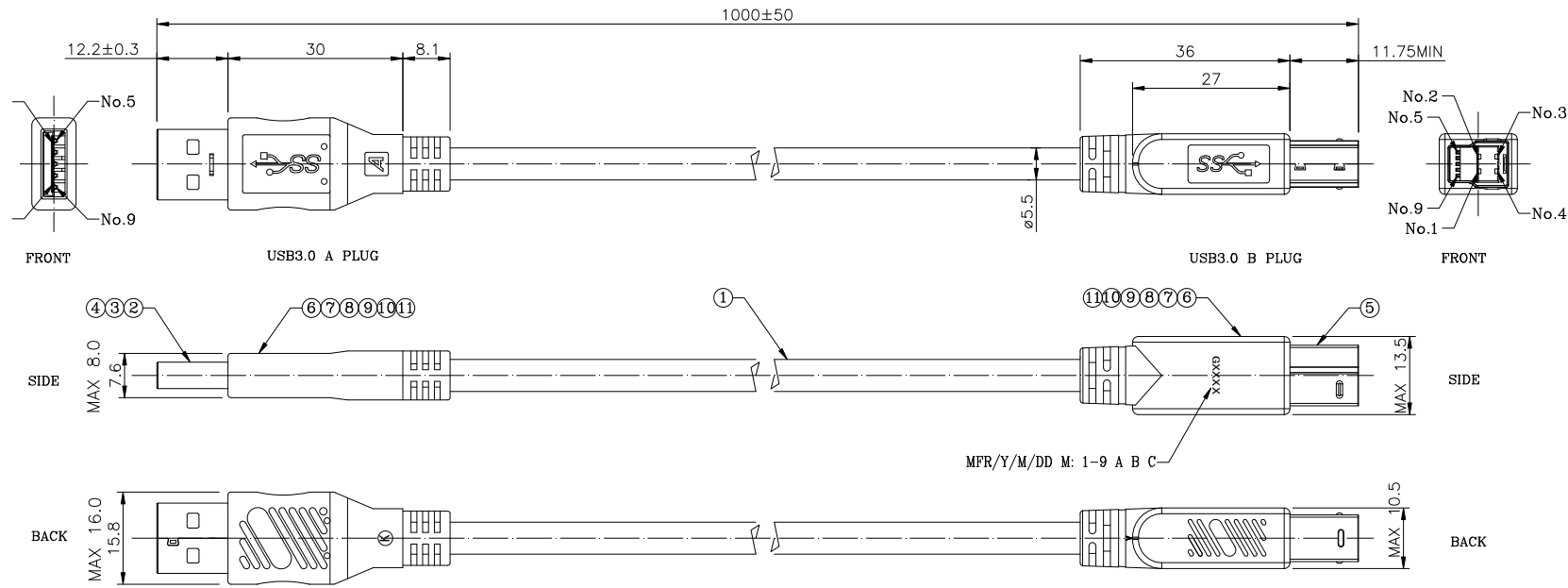


PRODUCT NUMBER
10132952-000XXLF



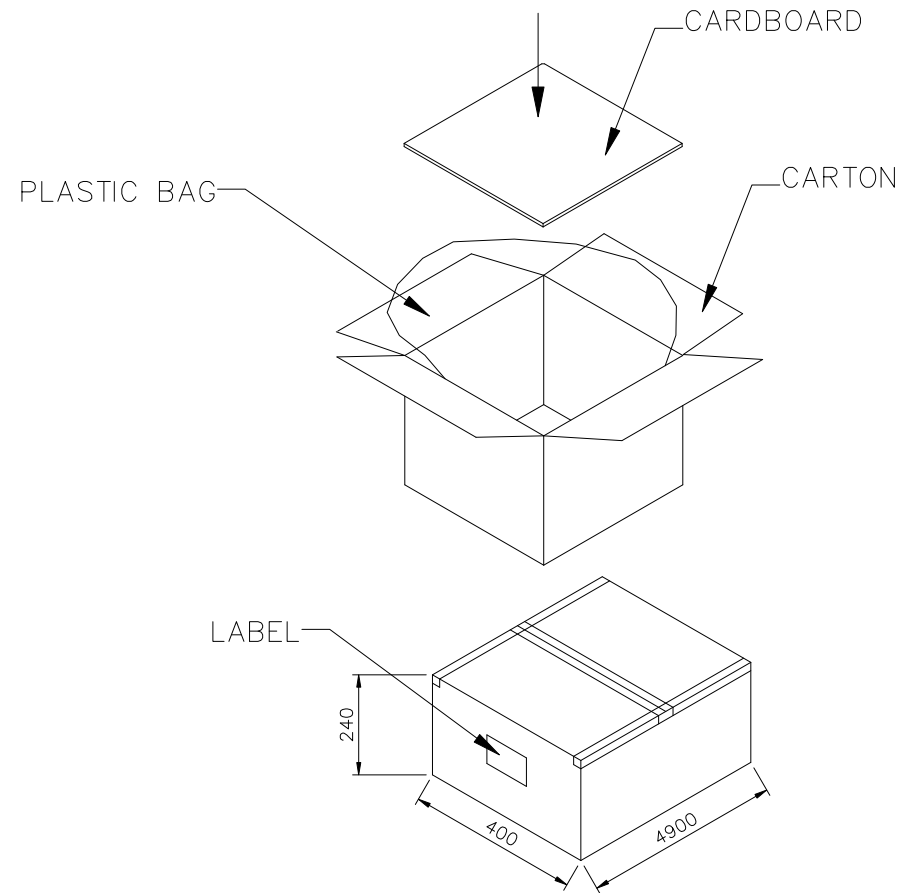
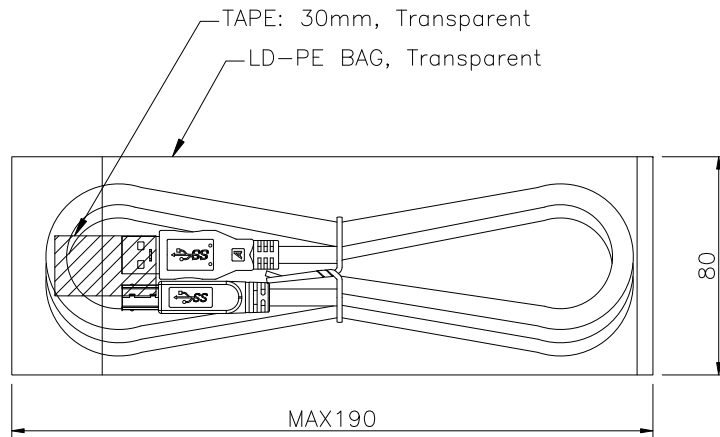
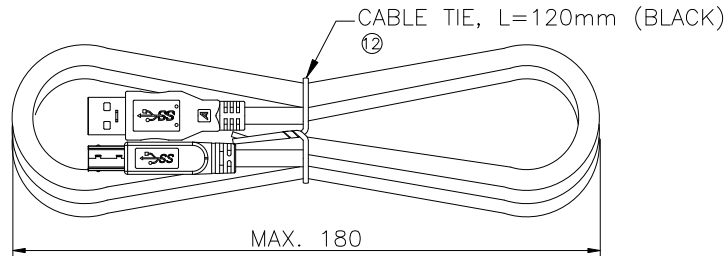
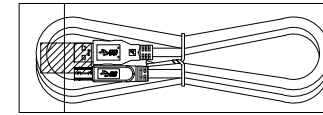
12	CABLE TIE	L=120mm (Black)	1 pcs
11	COPPER TAPE	Copper Alloy	2 pcs
10	OVER MOLD	PVC, Black	
9	INNER MOLD	PE	
8	LEAD FREE SOLDER		
7	TUBE	ø6 Black	18mm
6	TUBE	ø1 Black	10mm
5	USB 3.0 B PLUG	HSG: High Temp. Thermoplastic, Blue; Terminal: Copper Alloy, Optional Gold Plating; Shell: Steel, Ni Plated	1 set
4	USB 3.0 A PLUG LOWER SHELL	Steel, Ni Plated	1 pcs
3	USB 3.0 A PLUG UPPER SHELL	Steel, Ni Plated	1 pcs
2	USB 3.0 A PLUG	HSG: High Temp. Thermoplastic, Blue Terminal: Copper Alloy, Optional Gold Plating	1 pcs
1	CABLE	UL 20276 for USB 3.0, BLACK, OD=5.5mm	
No.	PARTS NAME	SPECIFICATION	QTY

CONNECTIONS		
USB 3.0 A/M	CABLE COLOUR	USB 3.0 B/M
1	RED	1
2	WHITE	2
3	GREEN	3
4	BLACK	4
5	BLUE	5
6	YELLOW	6
7	D.W	7
8	VIOLET	8
9	ORANGE	9
SHELL	Braid+Drain	SHELL

NOTE:
 1. PRODUCT SPECIFICATION: GS-12-1285.
 2. PACKAGE SPECIFICATION: SEE PAGE 2.
 3. PART NUMBER:
 10132952-000 X X L F
 PLATING: _____ PACKAGE:
 1: G/F ON CONTACT 1: PE BAG
 2: 30u" Au ON CONTACT

mat'l. code	surface	tolerance	projection	product family
				USB 3.0
ltr	ecn no	dr	date	title
A		TAI	2014-12-30	CABLE ASS'Y, USB 3.0 A PLUG TO USB 3.0 B PLUG
				angles
				16<L≤63 ±0.4
				4<L≤16 ±0.3
				X°±5°
				L≤4 ±0.2
				dr
				KENNY TAI 2014-11-27
				enr
				KENNY TAI 2014-11-27
				chr
				KENNY TAI 2014-11-27
				appd
				PM ZHENG 2014-12-30
sheet	revision	A	A	dwg no
index	sheet	1	2	10132952
				sheet 1 of 2
				size
				A4
				type
				CUSTOMER Drawing

PRODUCT NUMBER
10132952-000XXLF



NOTE:

1. PUT 4 DESICCANTS INTO THE PLASTIC BAG.
2. PACKAGE Q'TY:

PE BAG	CARTON	Net Wt.	Gross Wt.
1 CABLE	250 CABLES	12.8 Kg	14.3 Kg

mat'l. code		surface	tolerance	projection	product family	
ltr		tolerances unless otherwise specified		 MM	USB 3.0	
ecn no	dr	date	angles		title	
			16<L≤63 ±0.4 4<L≤16 ±0.3 X°±5° L≤4 ±0.2	CABLE ASS'Y, USB 3.0 A PLUG TO USB 3.0 B PLUG		
			dr	scale	dwg no	
			enr		sheet 2 of 2	
			chr		10132952	size
			appd		A4	
sheet index		revision sheet	A 1	A 2	type	
				CUSTOMER Drawing		