

OPERATING CHARACTERISTICS \triangle \triangle

M SR4P2-C2

OPERATE MAX	25 GAUSS
RELEASE MIN	5 GAUSS
DIFF MIN	2 GAUSS
(TEMP RANGE -20°C TO 85°C)	

ABSOLUTE MAXIMUM RATINGS

SUPPLY VOLTAGE (VS) \triangle	6 VDC TO 24 VDC
VOLTAGE EXTERNALLY APPLIED TO OUTPUT	+24 VOLTS DC MAX WITH SWITCH IN "OFF" CONDITION ONLY -0.5 VOLTS MAX WITH SWITCH IN "OFF" OR "ON" CONDITION
OUTPUT CURRENT	20 mA
TEMPERATURE OPERATE AND STORAGE	-40°C TO 85°C
MAGNETIC FLUX	NO LIMIT, THE CIRCUIT CANNOT BE DAMAGED BY MAGNETIC OVERDRIVE

ELECTRICAL CHARACTERISTICS

	MIN	TYP	MAX	REMARKS
SUPPLY CURRENT \triangle		2.5 mA	13.5 mA	Vs = 6-24 VOLTS \triangle
OUTPUT VOLTAGE (OPERATED) \triangle		0.25 V	0.4 V	SINKING 20 mA MAX
OUTPUT LEAKAGE CURRENT (RELEASED) \triangle			10 μ A	LEAKAGE INTO SWITCH OUTPUT
OUTPUT SWITCHING TIME				
RISE TIME \triangle		0.2 μ SEC	1.5 μ SEC	10% TO 90%
FALL TIME \triangle		0.1 μ SEC	0.5 μ SEC	90% TO 10%

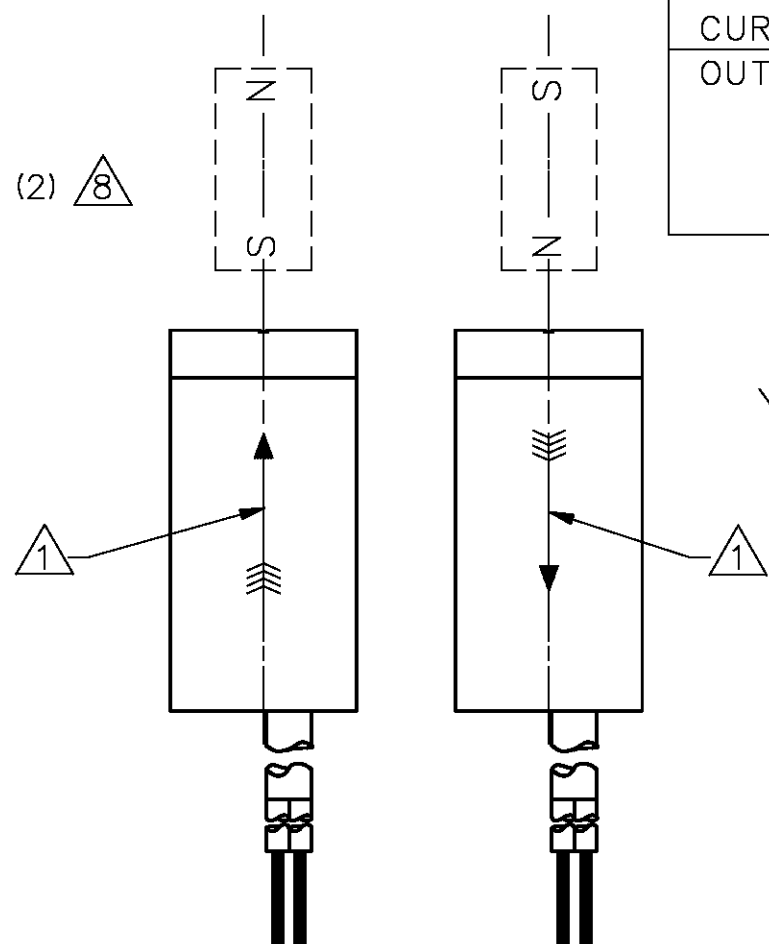
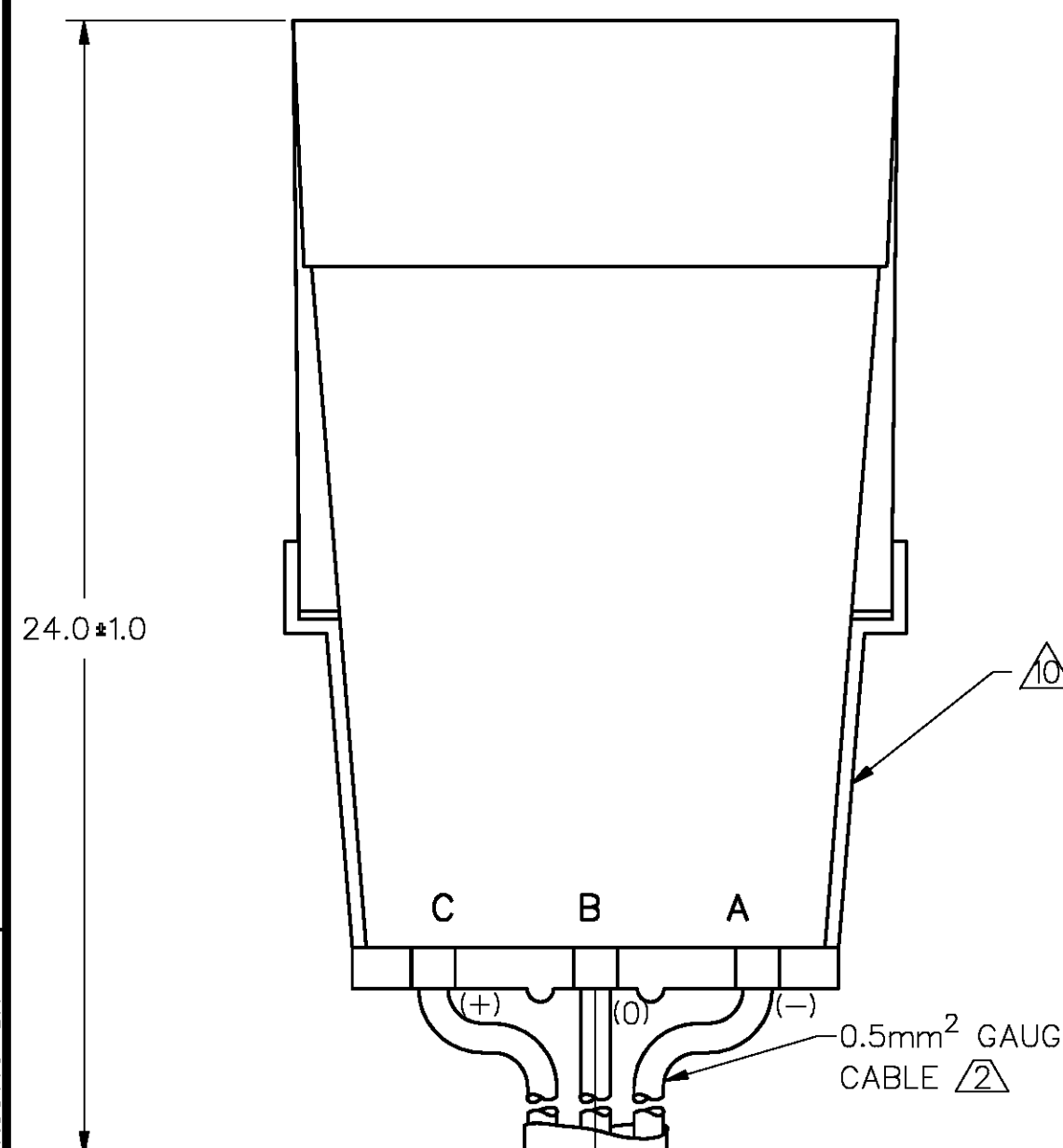
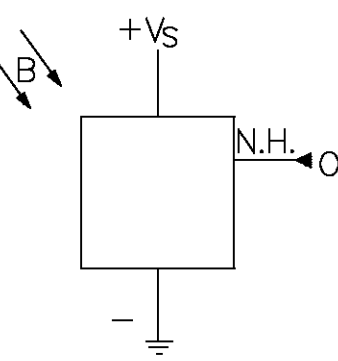
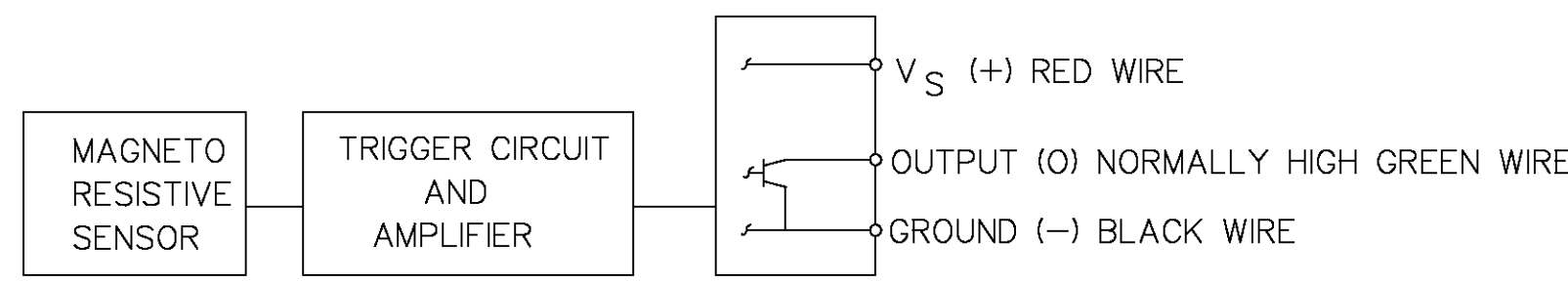


FIG. 2 OPERATE



SWITCH SYMBOL



BLOCK DIAGRAM SHOWING CURRENT SINKING OUTPUTS

DRAWING NUMBER SR4P2-C2
 ISSUE 5
 PAGE 1 OF 1
 RELEASE NO. PR-20089
 REPLACES X96146-SR
 REVISIONS:
 A C075307 25 MAY 93
 B C081515A 12 DEC 94
 C C082237 22 JAN 96
 D C082772A 26 APR 96
 DDM/CAD DRAWN
 J A F 13 JUL 92
 CHECK D A W 15 JUL 92
 CHECK

REVISIONS	
A	C075307 25 MAY 93
B	C081515A 12 DEC 94
C	C082237 22 JAN 96
D	C082772A 26 APR 96

NOTES

- \triangle 1 FLUX ENTERING THE SOUTH POLE OR THE NORTH POLE OF THE MAGNET WILL OPERATE THE SENSOR WHEN MAGNET IS POSITIONED AS SHOWN IN FIGURE 2. THIS ASSUMES THE CONVENTION THAT THE DIRECTION OF THE EXTERNAL FLUX OF A MAGNET IS FROM THE NORTH TO THE SOUTH POLE OF THE MAGNET.
- \triangle 2 0.5mm² GAUGE PVC INSULATED CONDUCTORS WITH MOLDED PVC JACKET
- \triangle 3 DATE CODE LOCATED IN THIS AREA
- \triangle 4 AT 24 ± 2°C
- \triangle 5 AT SUPPLY VOLTAGE OF 6 TO 24 VOLTS AND TEMPERATURE RANGE OF -40 TO 85°C
- \triangle 6 CATALOG LISTING LOCATED IN THIS AREA
- \triangle 7 Vs IS THE UNREGULATED SUPPLY VOLTAGE
- \triangle 8 TORQUE ON PLASTIC NUTS MUST NOT EXCEED 12 INCH POUNDS
- 9 - THE MAGNETIC CHARACTERISTICS OF THE SWITCH MAY BE AFFECTED BY STRAY MAGNETIC FIELDS
- \triangle 10 PACKARD ELECTRIC WEATHER PACK CONNECTOR INCLUDING CONNECTOR HOUSING NO. 12010717

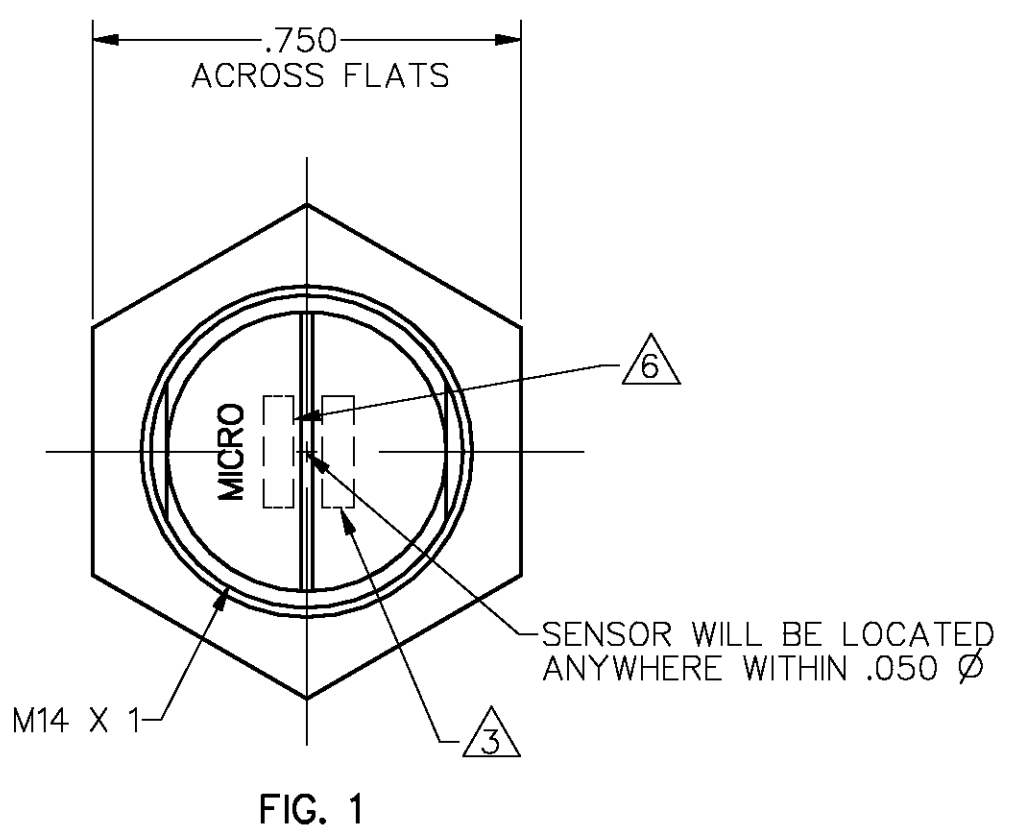


FIG. 1

MASTER REDUCED
ANSI Y14.5M-1982 APPLIES

THIS DRAWING COVERS A PROPRIETARY ITEM AND IS THE PROPERTY OF MICRO SWITCH, A DIVISION OF HONEYWELL. THIS DRAWING IS NOT TO BE COPIED OR USED WITHOUT THE APPROVAL OF MICRO SWITCH.		THIRD ANGLE PROJECTION
MICRO SWITCH a Honeywell Division		SCALE 3:1
MAGNETICALLY OPERATED CYLINDRICAL MAGNETO RESISTIVE SWITCH		DO NOT SCALE PRINT
FED. MFG. CODE 91929		UNLESS OTHERWISE SPECIFIED TOLERANCES ARE
CATALOG LISTING SR4P2-C2		ONE PLACE (.0) ±.030
		TWO PLACES (.00) ±.015
		THREE PLACES (.000) ±.005
		ANGLES ±
		WEIGHT