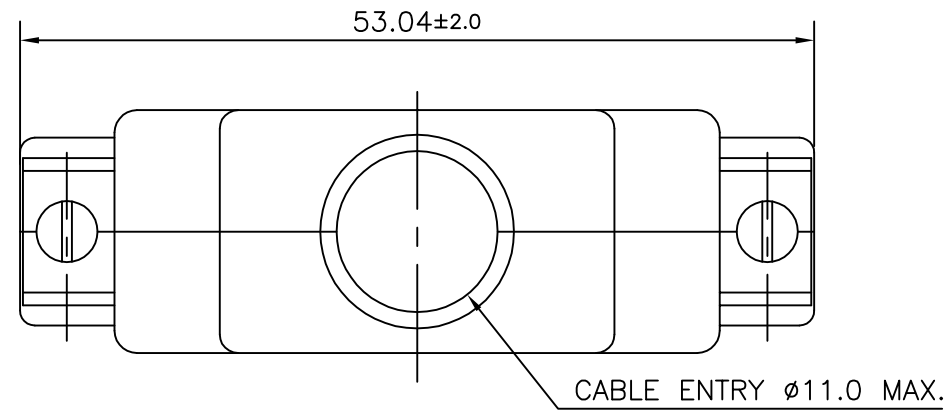
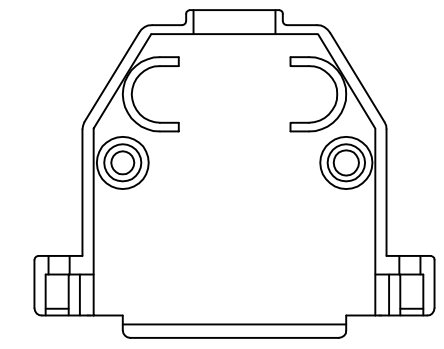


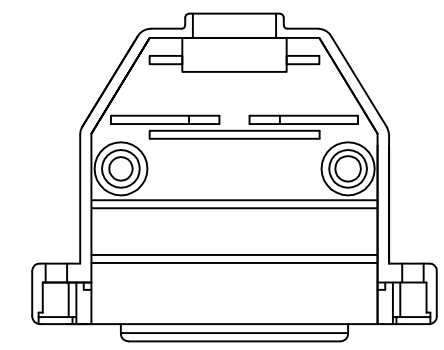
2	8630-CH25UNCLF	UNC 440
1	8630-CH25M3LF	M3
SL.NO.	PART NO:	THREAD



HOOD INTERNAL VIEW

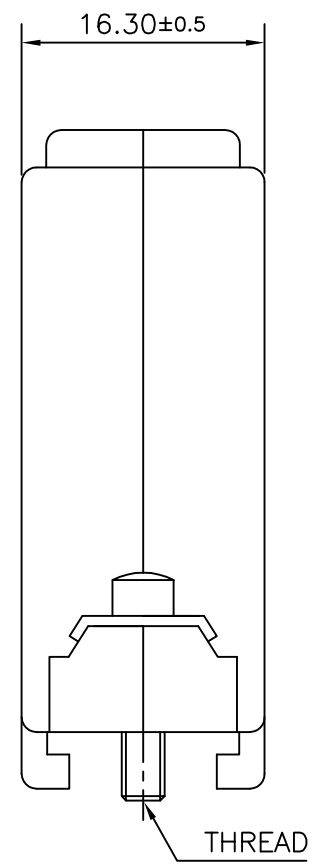
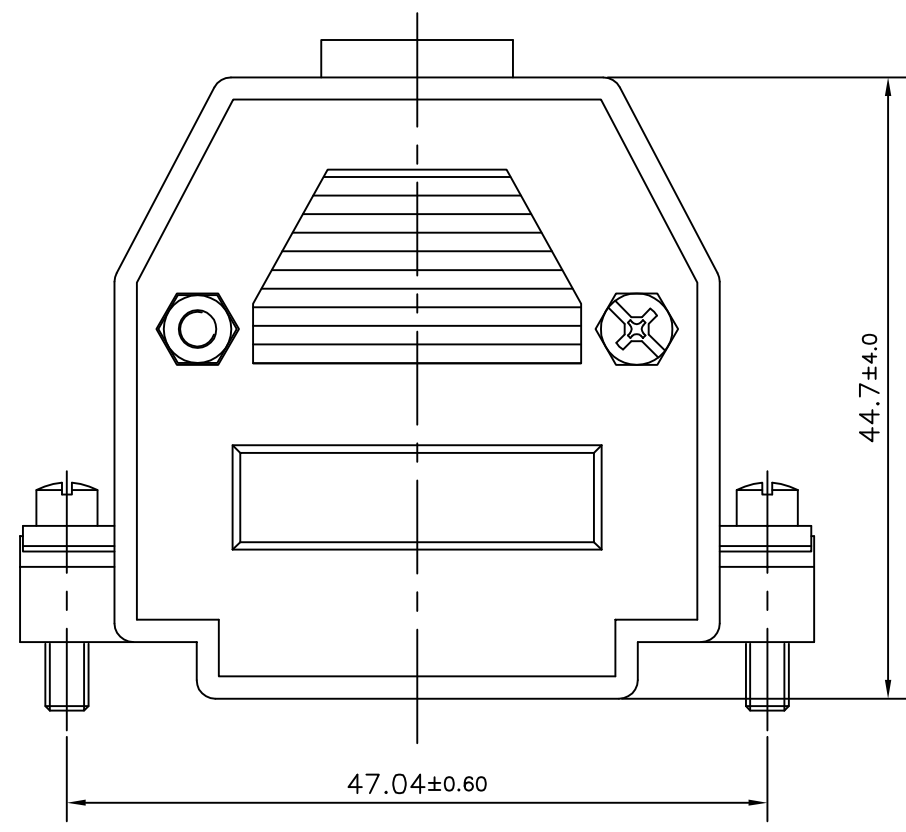


OPTION 1\*



OPTION 2\*

\* Hood can be of either Option 1 or Option 2



Amphenol FCI

© 2016 AFCl

"This LF product meets European Union Directives and other country regulations as described in GS-47-0004"

MATERIALS:  
1.ABS UNFILLED UL 94 HB (STANDARD)  
2.TEMP RANGE -55°C TO +85°C

Packaging as per GS-14-920

mat'l. code		surface ISO 1302 ✓		tolerance ISO 406 ISO 1101		projection		product family D-SUB			
ltr		ecn no	dr	date	tolerances unless otherwise specified		title		CONNECTION HOOD 25 POSITION		
E	I06-0074	MINI		2006/06/08	angles	linear	MM		dwg no		
F	I10-0122	AMR		2010/05/29			scale NTS		sheet 1 of 1		
G	I10-0231	AMR		2010/11/27	0°±1°				size		
H	ELX-I-15622	MP		2013/08/24	dr	MINI K VANDANATH	1995/24/03	Amphenol FCI		C-DSUB-0024	
J	ELX-I-21747	MP		2015/08/22	engr	MITHUN PAUL	2016-11-25			A3	
K	ELX-I-25452	GREGAR		2016-11-25	chr	GREGAR MATHEW	2017-08-12			type	
L	ELX-I-27699	GREGAR		2017-08-12	appd	BIJU K PAUL	2017-08-12			Product Customer Drawing	
sheet index	revision	L									
	sheet	1									