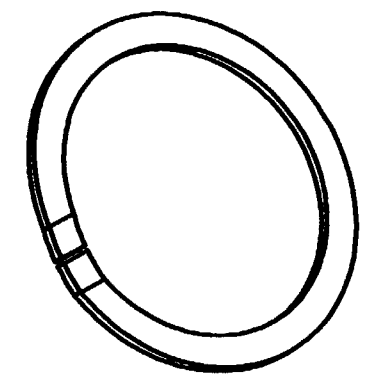
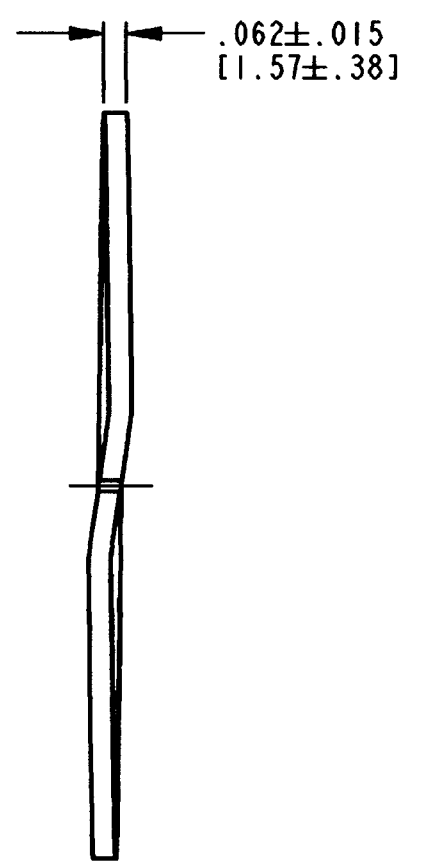
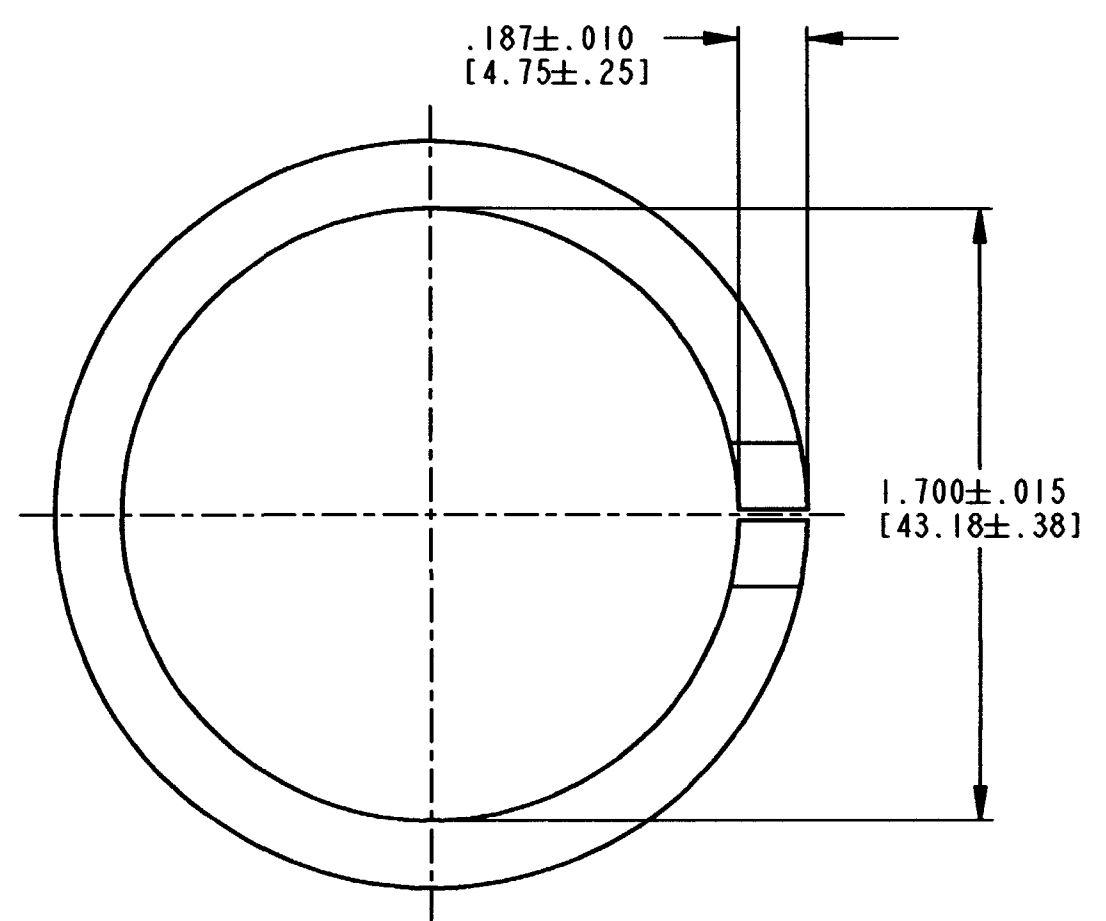


REV
E 112264

REVISIONS			
SYM	DESCRIPTION	DATE	APPROVED
B	REVISED/REDRAWN PER E.O. 73039	4/4/74	
C	REVISED/REDRAWN PER E.O. A14919	10/27/95	R.D.R.
D	REVISED PER E.O. P18581	6/14/04	R.D.R.
E	REVISED PER E.O. P19795	4-25-08	ABR



3D VIEW

NOTES: 1. MATERIAL - STAINLESS STEEL.

SIGNATURE & DATE		LOCKWASHER RECEPTACLE BAYONET COUPLING CONNECTOR SIZE 24 HD SERIES ENVELOPE	CP	MATL. CODE
DR	D.C. GIBBS 27OCT95		The Deutch Company DEUTSCH I.P.D. 3850 INDUSTRIAL AVE. HENET, CALIF. 92545	
CHK	<i>[Signature]</i> 4/25/08		B	112264
PE	<i>[Signature]</i> 4/21/08			
APPD	<i>[Signature]</i> 4-23-08	DWG SIZE	CODE 11139	SHEET OF
SCALE	NONE	WT		