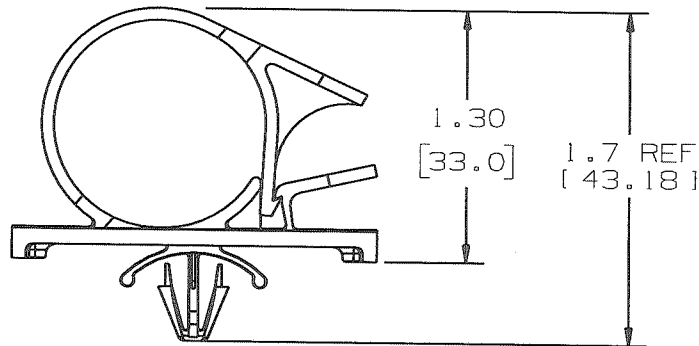
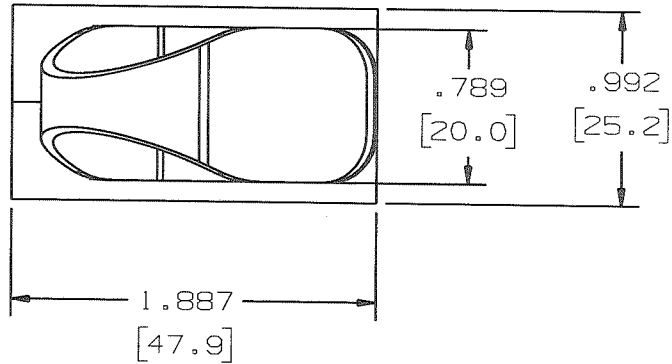
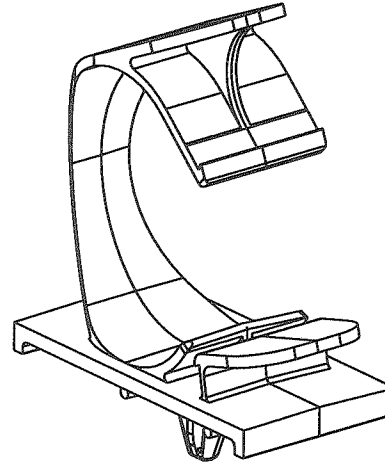


THIS COPY IS PROVIDED ON A RESTRICTED BASIS AND IS NOT TO BE USED IN ANY WAY DETRIMENTAL TO THE INTERESTS OF PANDUIT CORP.



PANDUIT PART NUMBER*	MAXIMUM CABLE DIA. in. (mm)	WEIGHT lbs. (g)/100pcs	HOLE SIZE DIA. RANGE	PANEL THK. RANGE
LWC100-H25	1.0 (25.4)	1.53 (695)	3/16"-1/4" [5-6]	0.025-0.105 (0.6-2.7)



NOTES:

- 1) SEE CURRENT PRICE SHEET FOR PART NUMBER SUFFIX DESIGNATION, FOR PACKAGE SIZE.

DIMENSIONS IN BRACKETS ARE METRIC [mm]

CAD FILENAME/LAYERS

G03597GS_DC_GB0239FF/00B



CORP.

TINLEY PARK, ILLINOIS

LWC100-H25, LATCHING WIRE CLIP

UNLESS OTHERWISE SPECIFIED,
DIMENSIONAL TOLERANCES ARE:
(.X) ±0.05 (1.3) (.XXX) ±0.010 (0.25)
(.XX) ±0.02 (0.5) ANGLES ±5°

UNLESS OTHERWISE SPECIFIED,
ALL DIMENSIONS ARE GIVEN
IN INCHES, THIRD ANGLE PROJECTION.

DRAWN BY JOS

MAT'L:

SCALE

1 : 1

DATE 8/07/97

NYLON 6/6

DRAWING NO.

GB0239FF

DRG

A
SIZE

REV	DATE	BY	CHK	DESCRIPTION	ECN	R	CUST	SUP
00B	04/14/09	GDH	DJK	UPDATED PANEL THICKNESS RANGE CONVERSION	GB0239FF	00B		
4	12/15/04	JAD		UPDATE DIMENSIONS	GB0239FF	4		
3	6/25/02	LGG		DIMENSION 1.885/47.9 WAS 1.902/48.3	GB0239FF	3		
2	07-27-00	GDH		DIMENSION 1.902/[48.3] WAS: 1.890/[48.0]	GB0239FF	2		
1	2-4-99	CGSM		CHANGED DIM. TO REF. DIM. UPDATED FILE NAME	GB0239FF	1		
R	8/07/97			INITIAL RELEASE	GB0239FF	R		

CR'D
KLN