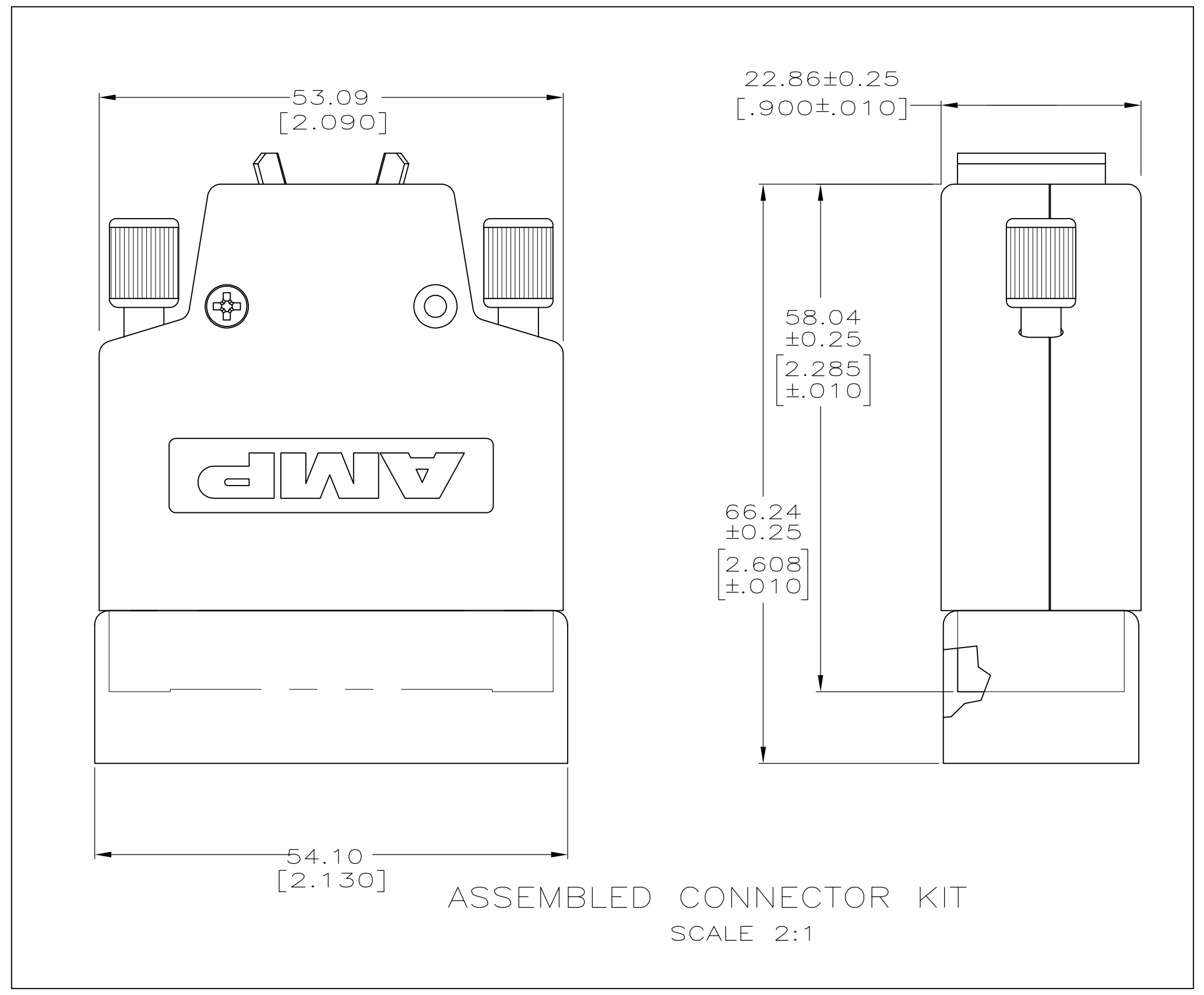
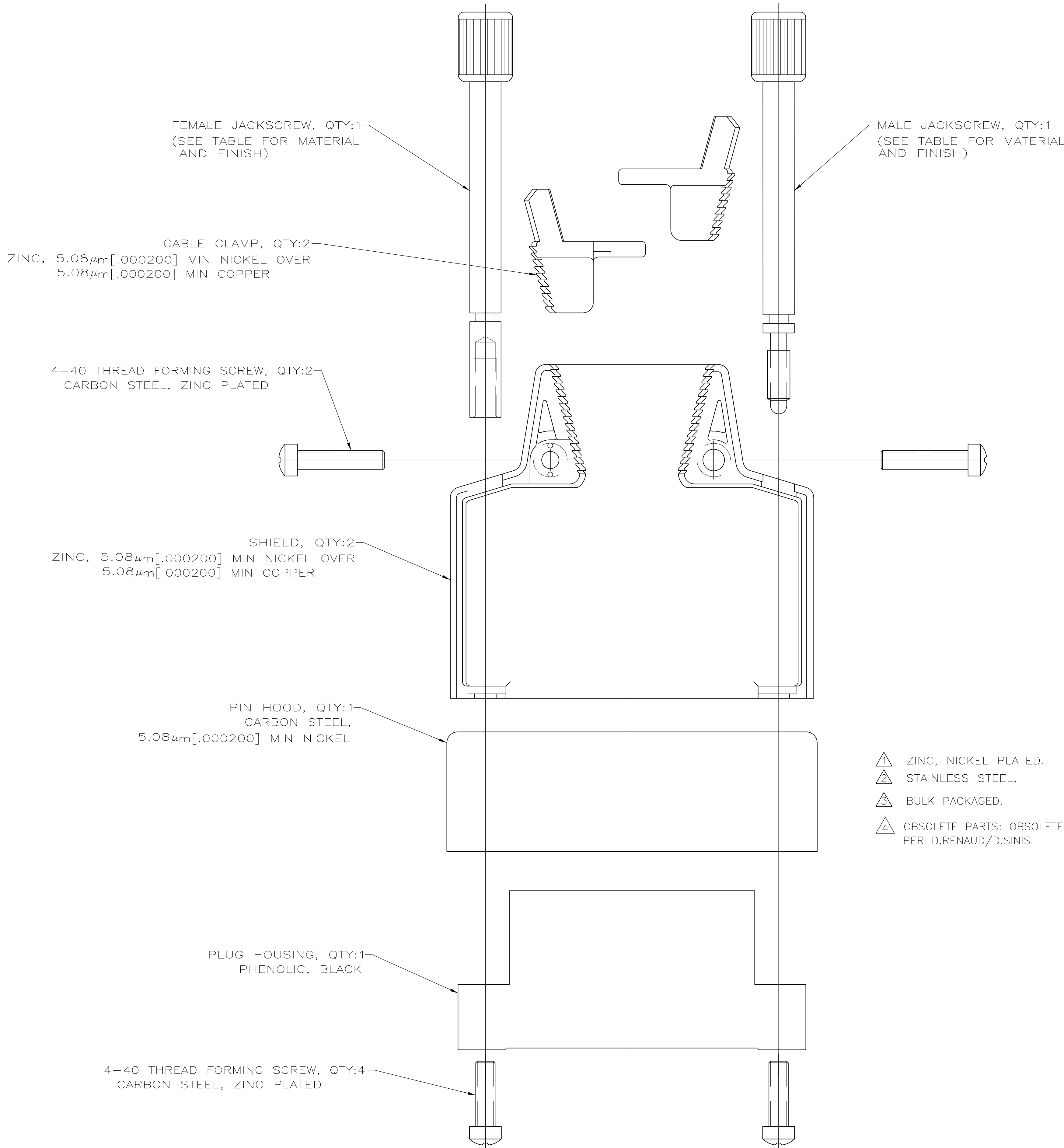


REVISIONS					
P	LTR	DESCRIPTION	DATE	DN	APVD
J2	REVISED PER	ECO-16-004000	28SEP2016	NK	MZ



- ▲ ZINC, NICKEL PLATED.
- ▲ STAINLESS STEEL.
- ▲ BULK PACKAGED.
- ▲ OBSOLETE PARTS: OBSOLETE CIS STREAMLINING PER D.RENAUD/D.SINISI

▲	▲	YES	3.81-7.62 [.150-.300]	1-213684-1	
▲	▲	NO	3.81-7.62 [.150-.300]	1-213684-0	
▲	▲	YES	3.81-7.62 [.150-.300]	213684-9	
▲	▲	NO	6.35-10.16 [.250-.400]	213684-8	
▲	▲	NO	10.16-15.24 [.400-.600]	213684-7	
▲	▲	YES	6.35-10.16 [.250-.400]	213684-6	
▲	▲	YES	10.16-15.24 [.400-.600]	213684-5	
▲	▲	YES	6.35-10.16 [.250-.400]	213684-4	
▲	▲	YES	10.16-15.24 [.400-.600]	213684-3	
▲	▲	NO	6.35-10.16 [.250-.400]	213684-2	
▲	▲	NO	10.16-15.24 [.400-.600]	213684-1	
		JACKSCREW	PIN HOOD	CABLE DIAMETER	PART NO

THIS DRAWING IS A CONTROLLED DOCUMENT.

DIMENSIONS: mm [INCHES]	TOLERANCES UNLESS OTHERWISE SPECIFIED:	DIN W.G.LENKER 6-21-91	TE Connectivity
0 PLC ± -	1 PLC ± -	6-27-91	
2 PLC ± 0.13[.005]	3 PLC ± -		
4 PLC ± -	ANGLES ± -		
MATERIAL SEE CALLOUTS	FINISH SEE CALLOUTS	APVD R STONE 6-28-91	NAME BOULLIANNE
		APPLICATION SPEC	CONNECTOR KIT, UNASSEMBLED, 34 POSITION, M SERIES
		WEIGHT	RESTRICTED TO
		SCALE 3:1	SHEET 1 OF 1
		CUSTOMER DRAWING	REV J2