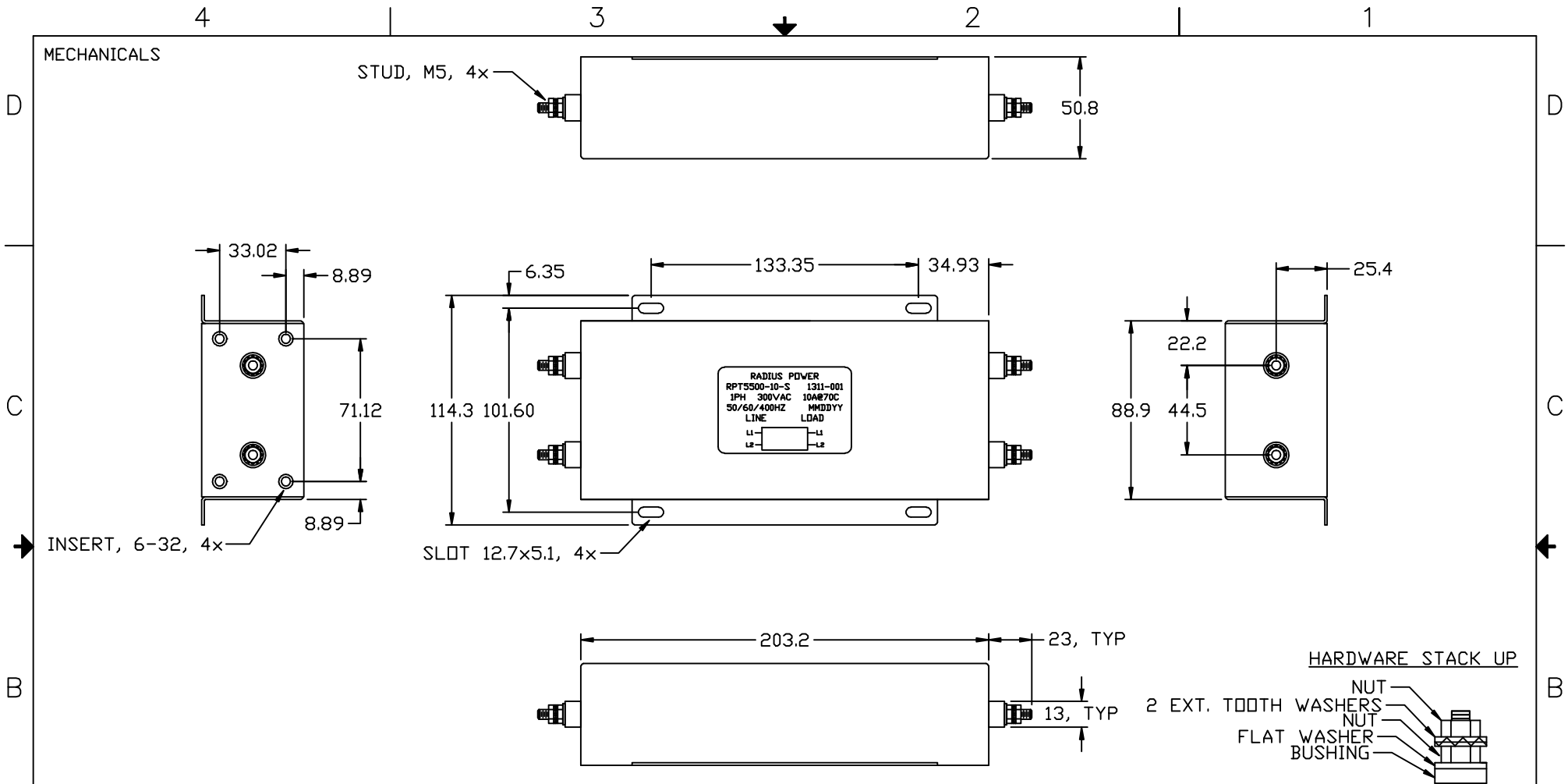
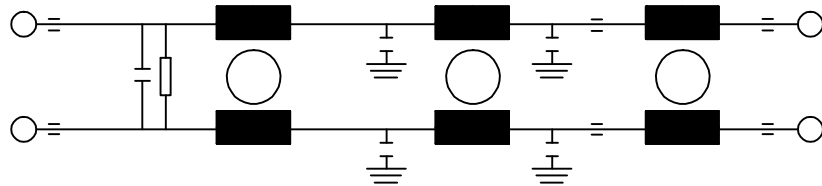


MECHANICALS



SCHEMATIC

LINE



MODEL / ITEM	RPT5500-10-C	
UNITS	MM	
DATE	091109	
HOUSING	CRS / NICKEL OR TIN	
MAX VOLT / CURR	300VAC / 10A	
FREQ(HZ)	50/60	
AMB / STORAGE	70C / -40 TO 100C	
WT(LB/KG), TYP	3.4/1.5	<b>RP</b> RADIUS POWER
HIPOT, LG (VDC)	1.5K	
TYP LK CURR	3.5mA (250V/60HZ)	AN Astrodyne TDI COMPANY
ANGLE=±0.5°	0.0/0.00=±0.5/±0.25	CONFIDENTIAL DOCUMENT

A

A

4

1

3



2

1

1