

© 1971 BY AMP INCORPORATED. ALL RIGHTS RESERVED. AMP PRODUCTS COVERED BY PATENTS AND/OR PATENTS PENDING.

205791-3 1. AS SHOWN  
205791-4 1. SAME AS -3 EXCEPT:  
2. M'T'D ON TAPE.

REVISIONS				
ZONE	LTR	DESCRIPTION	DATE	APPROVED
	0	RELEASED WAS 5069-27	12-3-71	<i>[Signature]</i>
	A	REV. PER ECN D 640	4-10-75	<i>[Signature]</i>
	B	REV. PER ECN E-724	11/19/76	<i>[Signature]</i>
	C	-3 WAS -2 E-889	3/7/77	<i>[Signature]</i>
	D	REV. PER ECN F-495	2/13/77	<i>[Signature]</i>
	E	REV. PER ECN G 341	8-15-79	<i>[Signature]</i>
	F	REV. PER ECN J-889	1/4/83	<i>[Signature]</i>

Unpublished copy not to be reproduced nor published without written permission of AMP Incorporated.

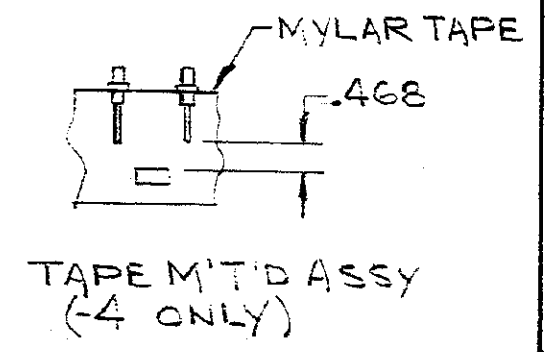
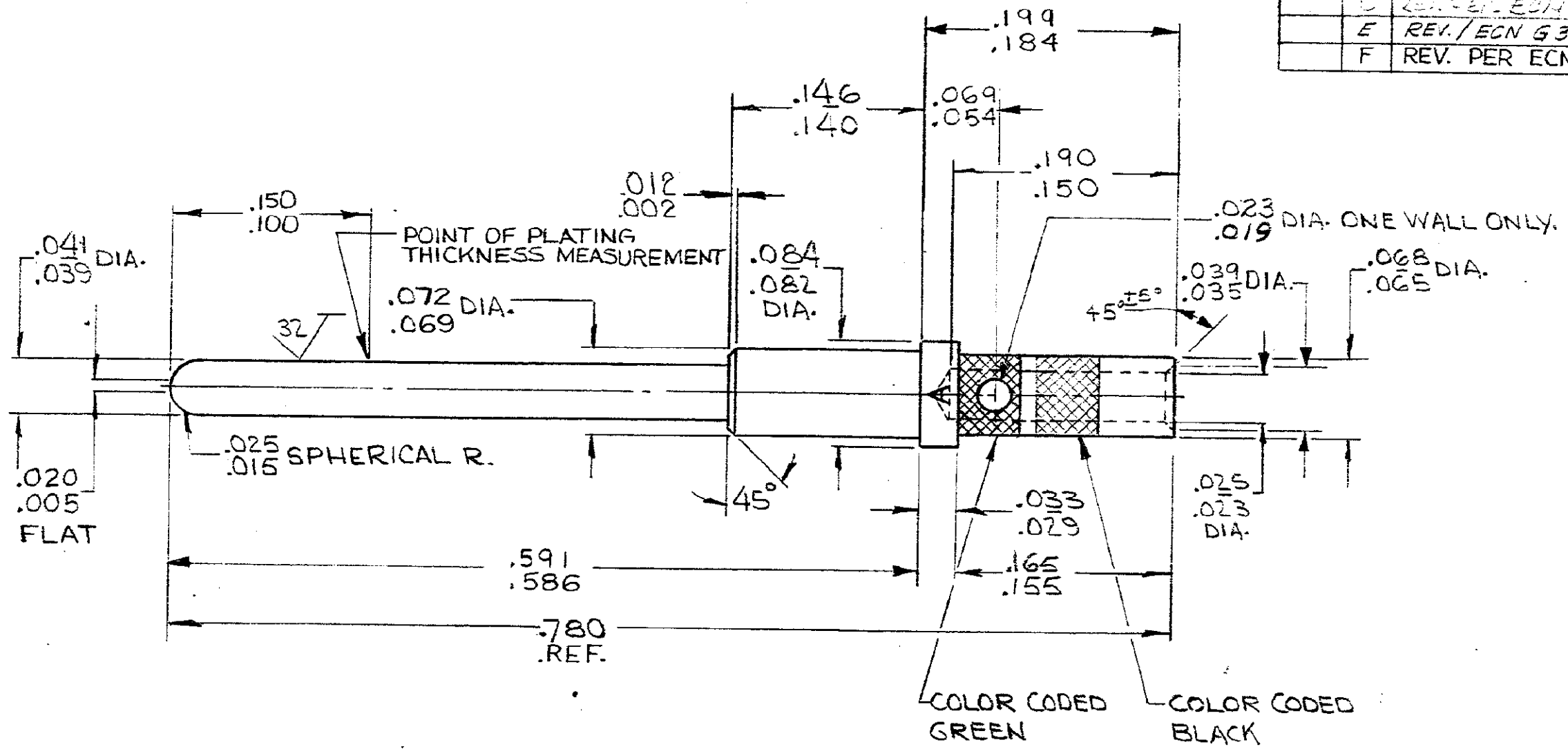
S  
D

C

B

A

LOC  
PRINT DIST  
39



WHEN ORDERING CONTACT ON TAPE, ORDER BY THE TAPE NUMBER PLUS THE PACKAGING CODE AS FOLLOWS:  
1. FOR USE WITH AMP TAPETRONIC, PNEUMATIC TOOL—  
A. 1000 PARTS TO A BOX ADD PACKAGING CODE: 1MBOX  
2. FOR USE WITH 4/8 INDENT STRIPPER CRUMPER—  
A. 1000 PARTS TO A REEL ADD PACKAGING CODE: 1MREEL  
B. 5000 PARTS TO A REEL ADD PACKAGING CODE: 5MREEL

UNLESS OTHERWISE SPECIFIED DIMENSIONS ARE IN INCHES TOLERANCES ON: DECIMALS ±.005 ANGLES ±2°	CONTRACT NO.	AMP INCORPORATED HARRISBURG, PENNSYLVANIA		
	DR. <i>R.P. Matthews</i> 12-3-71	NAME		
	CHK. <i>[Signature]</i> 12/7/71	PIN, CONTACT, SIZE 20, TYPE XVII, 26-30 WIRE		
	APP. <i>[Signature]</i> 12/7/71	SIZE	CODE IDENT NO.	NUMBER
MATERIAL LEADED COPPER, PLATED GOLD PER MIL-G-45204 OVER COPPER PER MIL-G-14550	DSGN APPD	B	00779	205791
OTHER APPD	SCALE	10/1	SHEET 1 OF 1	