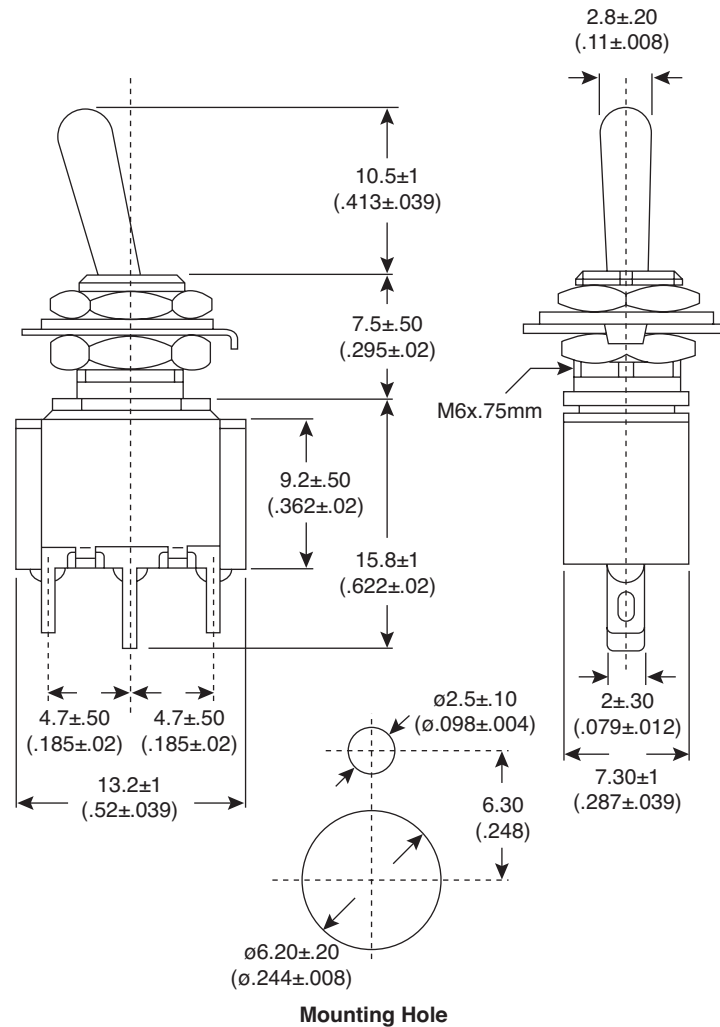


**DIMENSIONS: mm (in.)**



**Electrical Specifications:**

- Rating: 6A/125VAC, 3A/250VAC
- Contact resistance: 50m  $\Omega$  max
- Insulation resistance: 100M  $\Omega$  min. 500VDC
- Dielectric strength: 1000VAC 1 min
- Electrical Life: 10,000 cycles

**Mechanical Specifications:**

- Mechanical life: 100,000 cycles
- Operating temperature: -20°C to +65°C
- Circuit: 3P SPDT On-On

**Note:**

- RoHS Compliant by Exemption

**Miniature Toggle Switch**  
1055-TA1130B-EVX

