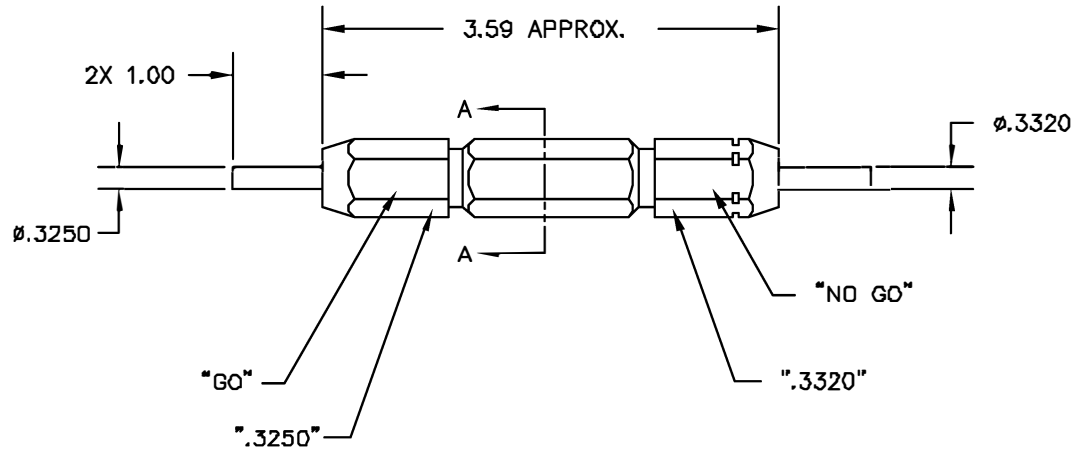
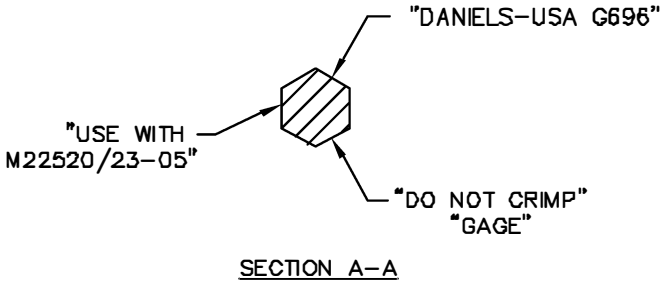


REVISIONS				
REV. SYN.	E.C.D. NUMBER	DESCRIPTION	BY DATE	APP'D DATE
1		ORIGINAL RELEASE	MJ 11/4/88	RRR 11/4/88



**UNCONTROLLED DOCUMENT
WILL NOT BE UPDATED**

RESTRICTED & CONFIDENTIAL CONFIDENTIAL PROPERTY OF DANIELS MANUFACTURING CORP. NOT TO BE DISCLOSED TO OTHERS, REPRODUCED OR USED FOR ANY OTHER PURPOSE EXCEPT AS AUTHORIZED IN WRITING BY DANIELS MANUFACTURING. MUST BE RETURNED TO DANIELS MANUFACTURING CORP. ON COMPLETION OF ORDER OR OTHER PURPOSE FOR WHICH LENT.	MATERIAL	ITEM	PART NO.	QTY.	DESCRIPTION/REMARKS			
	HEAT TREAT	DRN	J. JOYCE	DATE	11/4/88			
		CHK'D	RRR	DATE	11/4/88			
	FINISH	APP'D.		DATE		DMC DANIELS MANUFACTURING CORP. ORLANDO, FLORIDA GAGE 11851		
APP'D.			DATE					
DO NOT SCALE DRAWING		TITLE		GO/NO-GO GAGE ENVELOPE DRAWING				
		WHERE USED		SIZE	SCALE	END P/N	SHEET	OF
				B	NTS	G696-ENV	1	1
				POSTING		P/N	G696-ENV	REV.
								1