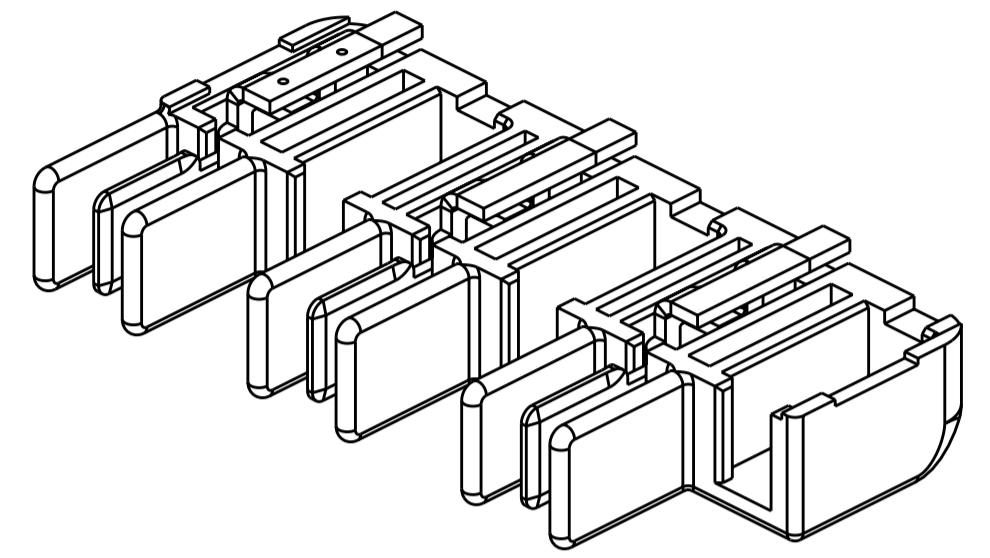
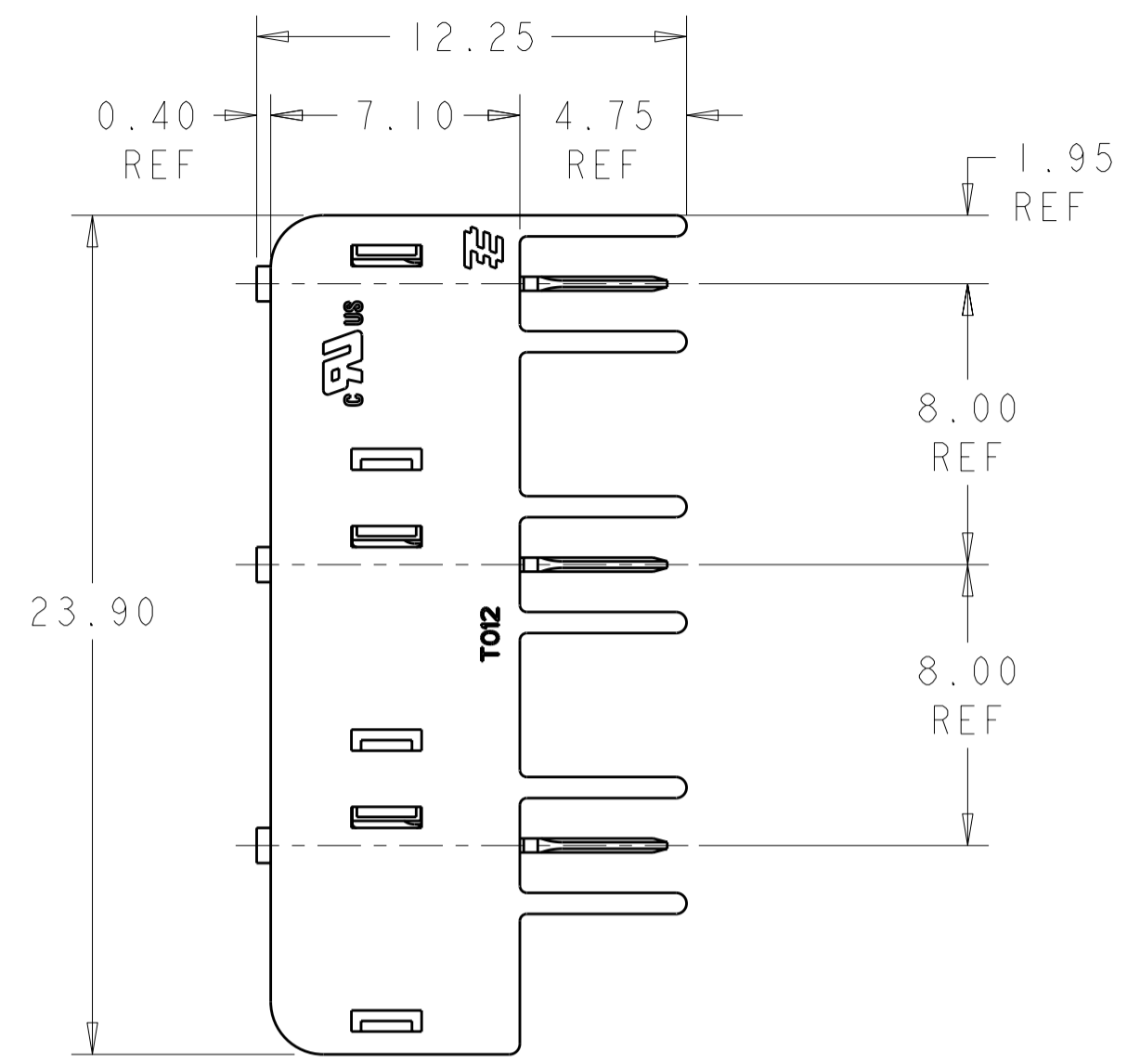


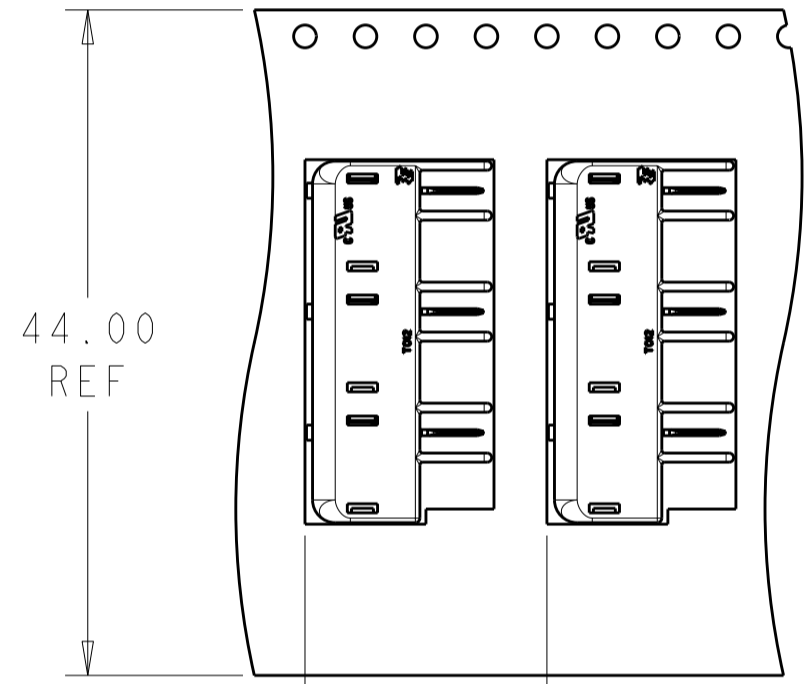
THIS DRAWING IS UNPUBLISHED. RELEASED FOR PUBLICATION 20  
 © COPYRIGHT 20 BY TYCO ELECTRONICS CORPORATION. ALL RIGHTS RESERVED.

| LOC |     | DIST                             |           | REVISIONS |      |  |  |
|-----|-----|----------------------------------|-----------|-----------|------|--|--|
| P   | LTR | DESCRIPTION                      | DATE      | DWN       | APVD |  |  |
| 5   |     | UPDATED VIEWS, 4.13 DIM WAS 4.17 | 31MAR2010 | RB        | RN   |  |  |

- NOTES:
- 1. MATERIALS AND FINISH
    - HOUSING: LCP
    - CONTACTS: COPPER ALLOY, FINISH: TIN
  - 2. PRODUCT TO COMPLY WITH DIRECTIVE 2002/95/EC (ROHS)
  - 3. PACKAGED IN TAPE AND REEL PER EIA-481 SPECIFICATIONS

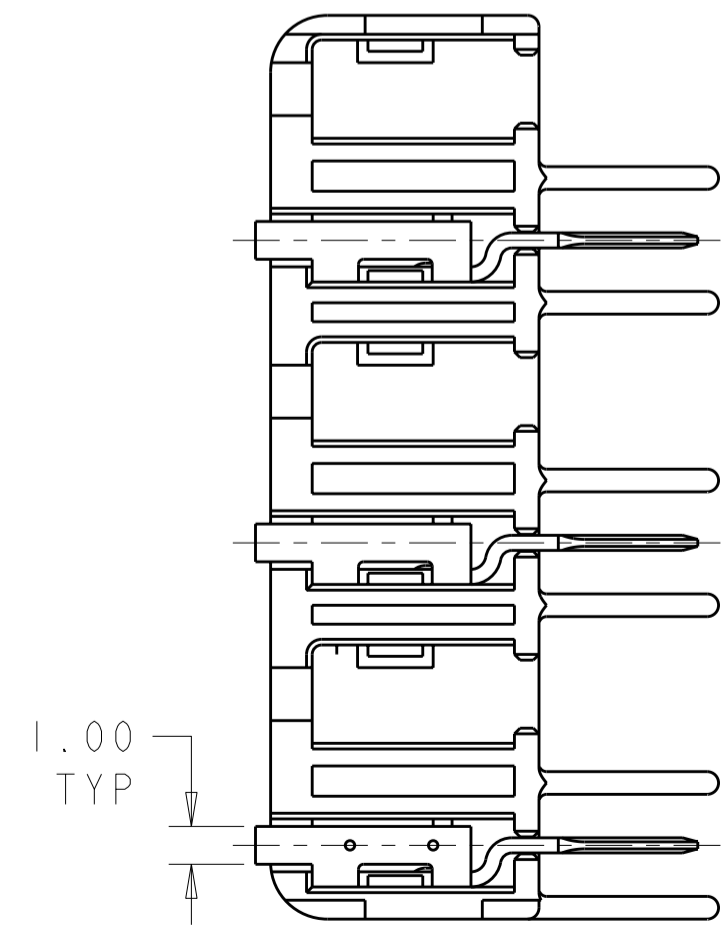
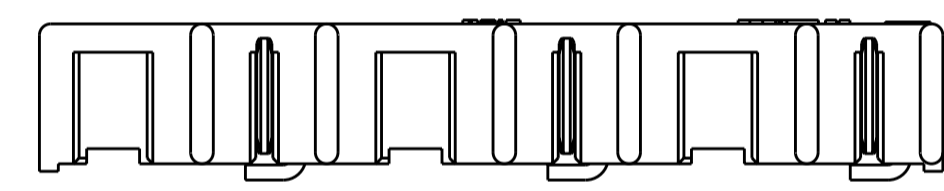
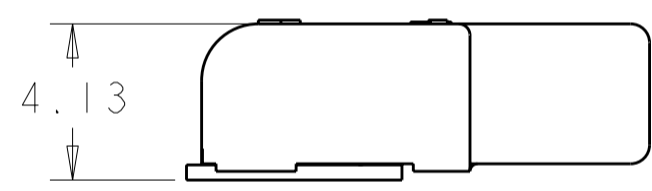


2106033-1 SHOWN



SCALE 2:1

TO BE PACKAGED AS SHOWN



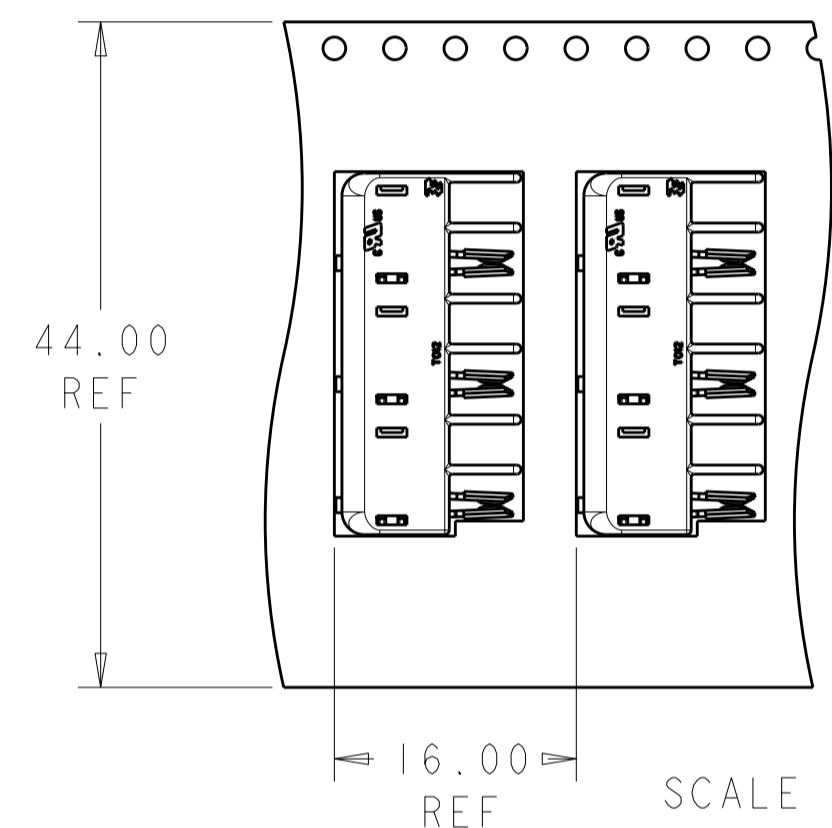
DESIGN APPROVED THIS PRINT IS  
**PRELIMINARY**  
 TO FIRST PIECE APPROVAL  
 CONTACT PRODUCT ENGINEERING  
 BEFORE USING THIS PRINT

2106033-1  
 PART NO.

|   |  |  |  |
|---|--|--|--|
| <small>THIS DRAWING IS A CONTROLLED DOCUMENT FOR TYCO ELECTRONICS CORPORATION<br/>         IT IS SUBJECT TO CHANGE AND THE CONTROLLING ENGINEERING ORGANIZATION<br/>         SHOULD BE CONTACTED FOR THE LATEST REVISION.</small> |  | DWN S. FISHER 10NOV2008<br>CHK R. NARANG 01NOV2008<br>APVD R. NARANG 12NOV2008 | Tyco Electronics<br>Harrisburg, PA 17105-3608  |
| DIMENSIONS:<br>mm   | TOLERANCES UNLESS OTHERWISE SPECIFIED:<br>0 PLC ±<br>1 PLC ±.13<br>2 PLC ±.013<br>3 PLC ±.013<br>4 PLC ±<br>ANGLES ±<br>FINISH | PRODUCT SPEC 108-2342<br>APPLICATION SPEC 114-13225<br>WEIGHT -                | NAME CONNECTOR ASSEMBLY, SELECT LOADING, 6 POSITION, BLADE AND RECEPTACLE<br>SIZE A200779<br>CAGE CODE C-2106033<br>DRAWING NO. 2106033-1<br>RESTRICTED TO - |
| MATERIAL  -   |  | CUSTOMER DRAWING SCALE 5:1 SHEET 1 OF 3 REV 5                                  |  |

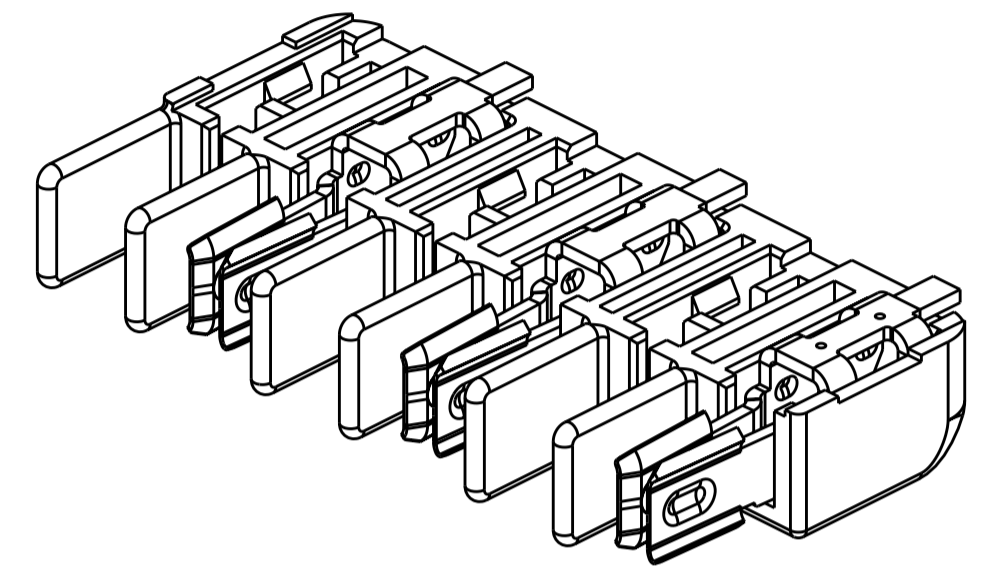
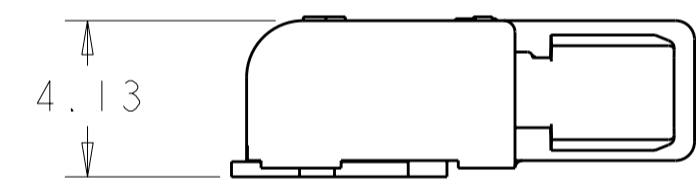
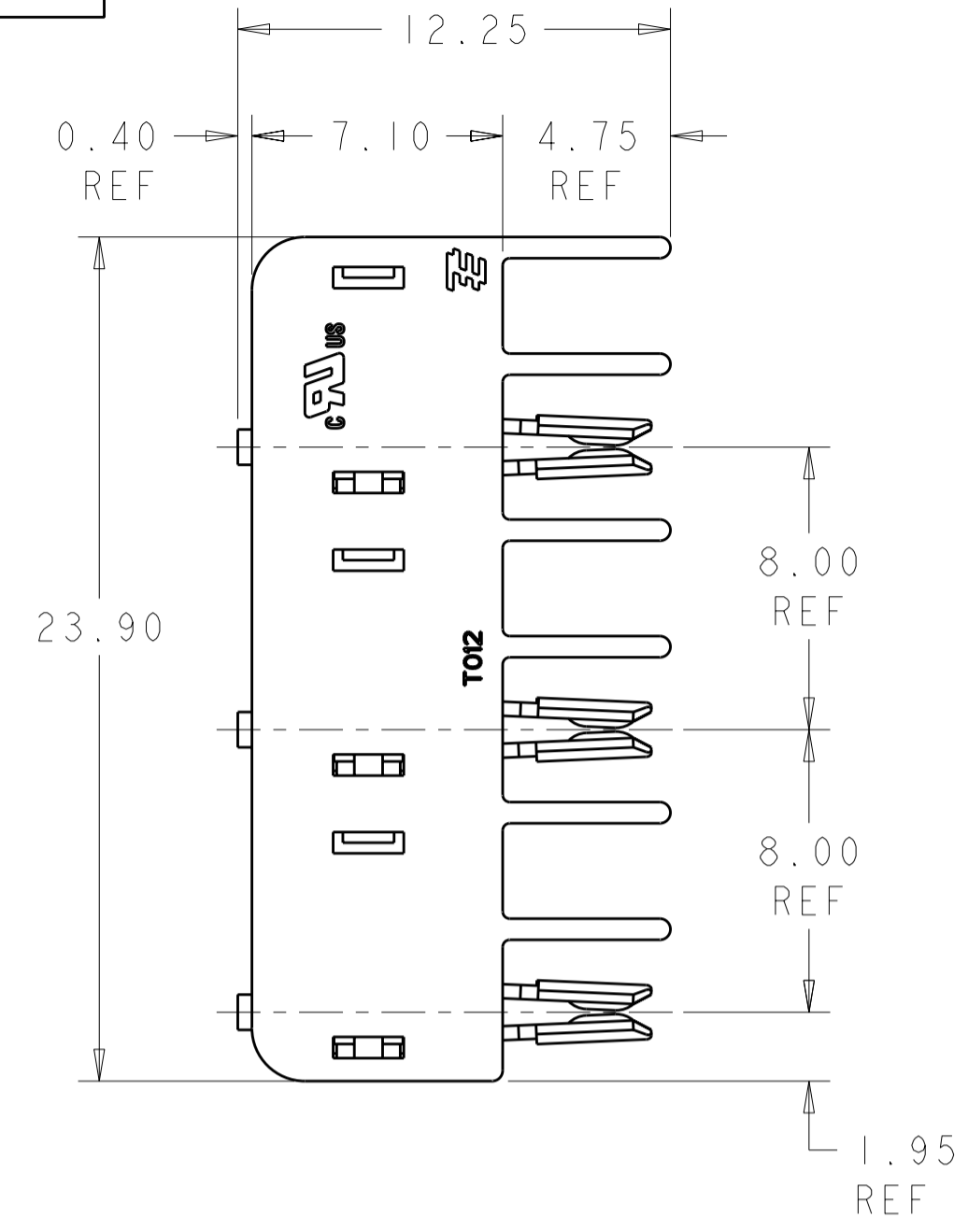
THIS DRAWING IS UNPUBLISHED. RELEASED FOR PUBLICATION 20  
 © COPYRIGHT 20 BY TYCO ELECTRONICS CORPORATION. ALL RIGHTS RESERVED.

| LOC |     | DIST        |      | REVISIONS |      |  |  |
|-----|-----|-------------|------|-----------|------|--|--|
| P   | LTR | DESCRIPTION | DATE | DWN       | APVD |  |  |
| -   | -   | SEE SHEET 1 | -    | -         | -    |  |  |

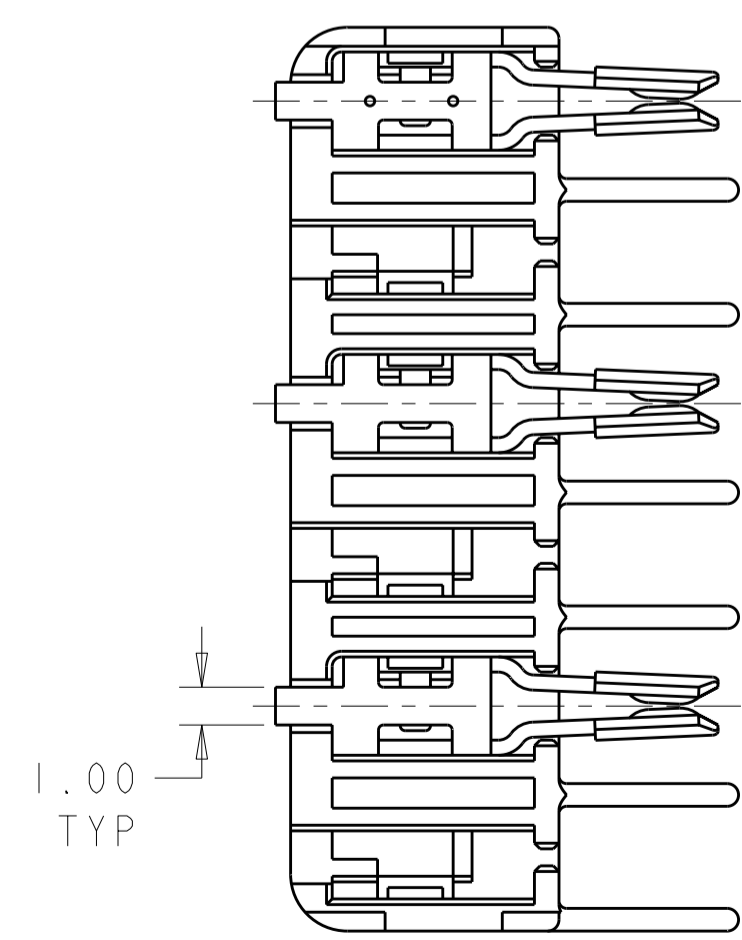
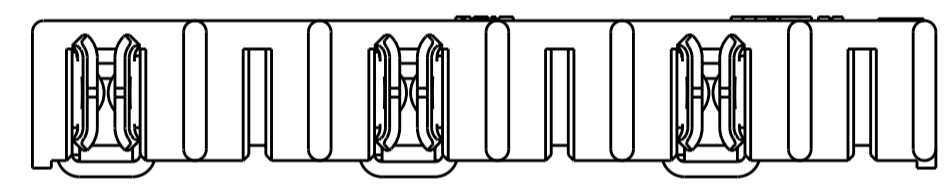


SCALE 2:1

TO BE PACKAGED AS SHOWN



2106033-2 SHOWN



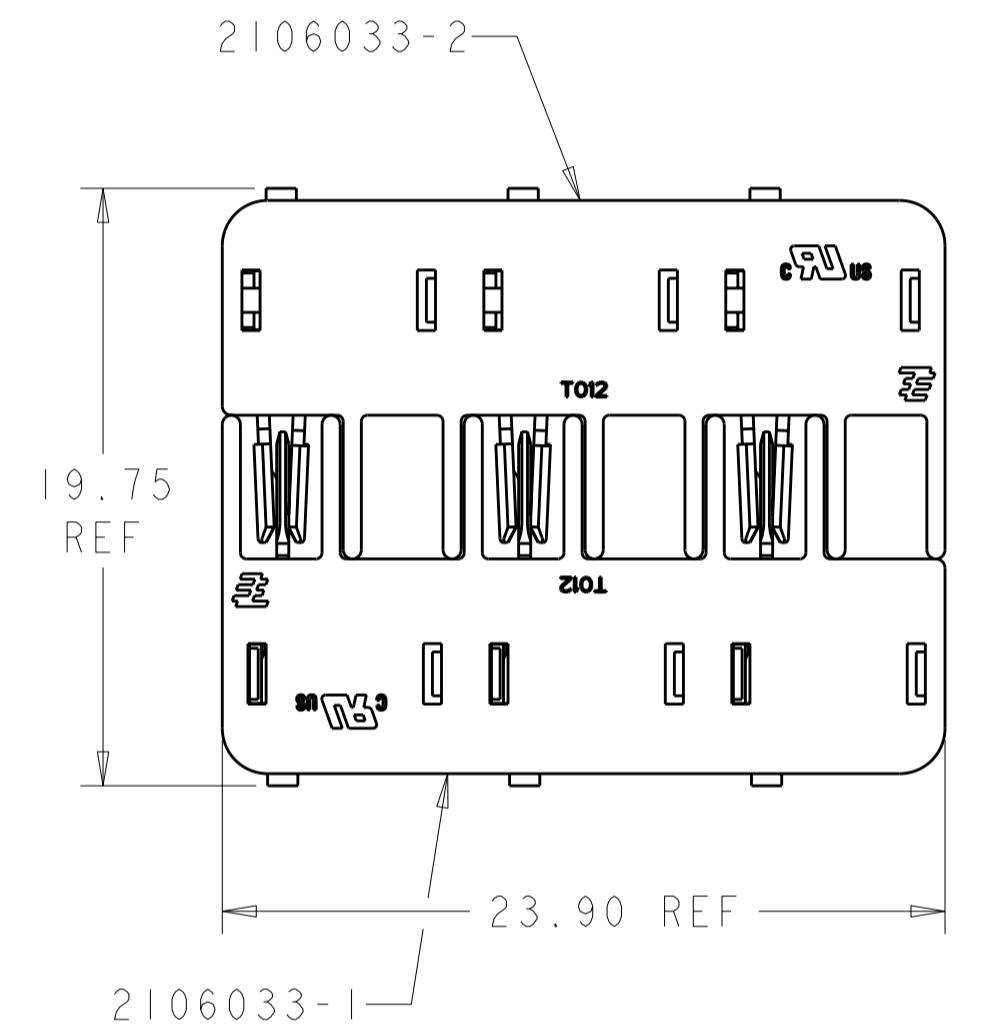
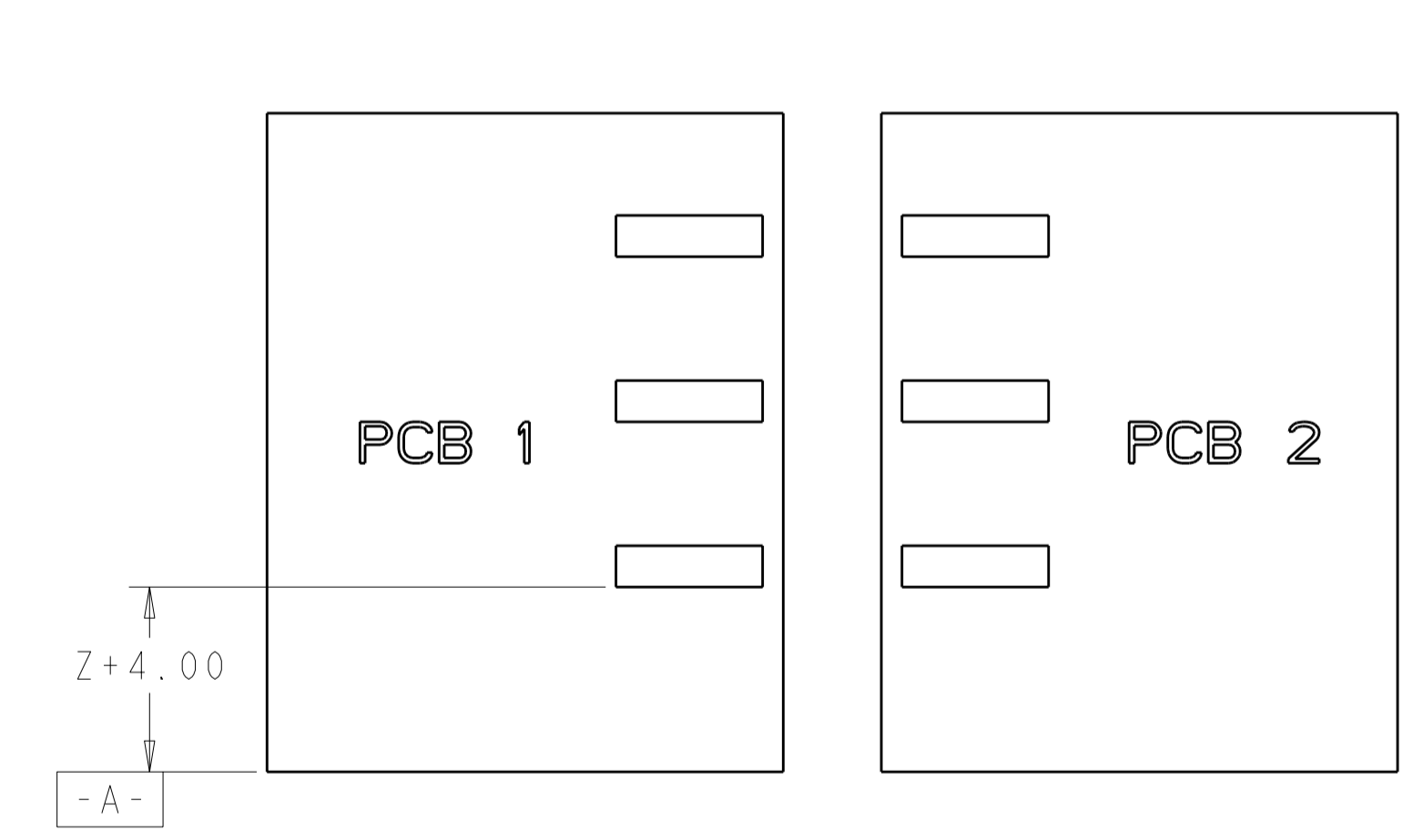
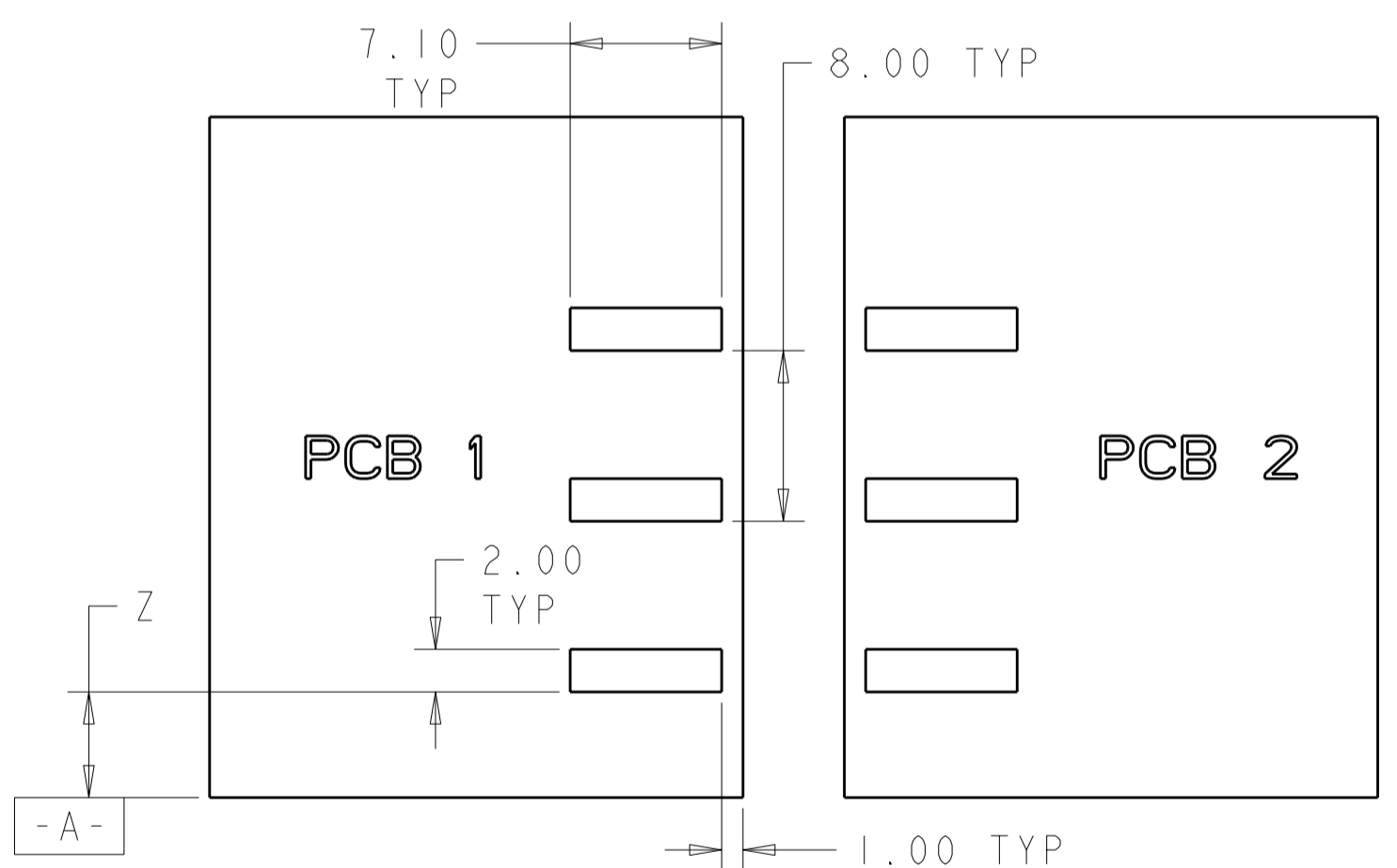
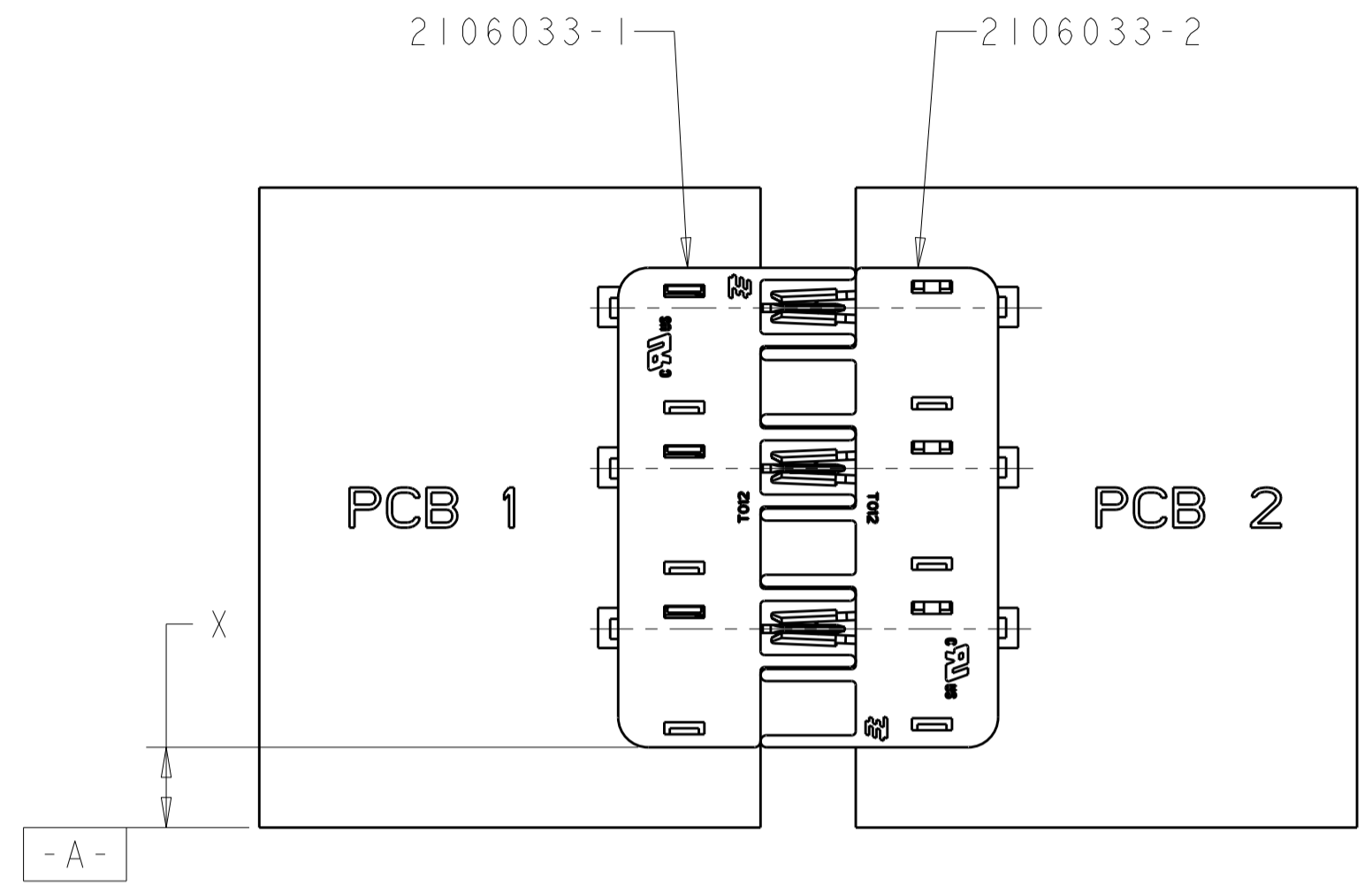
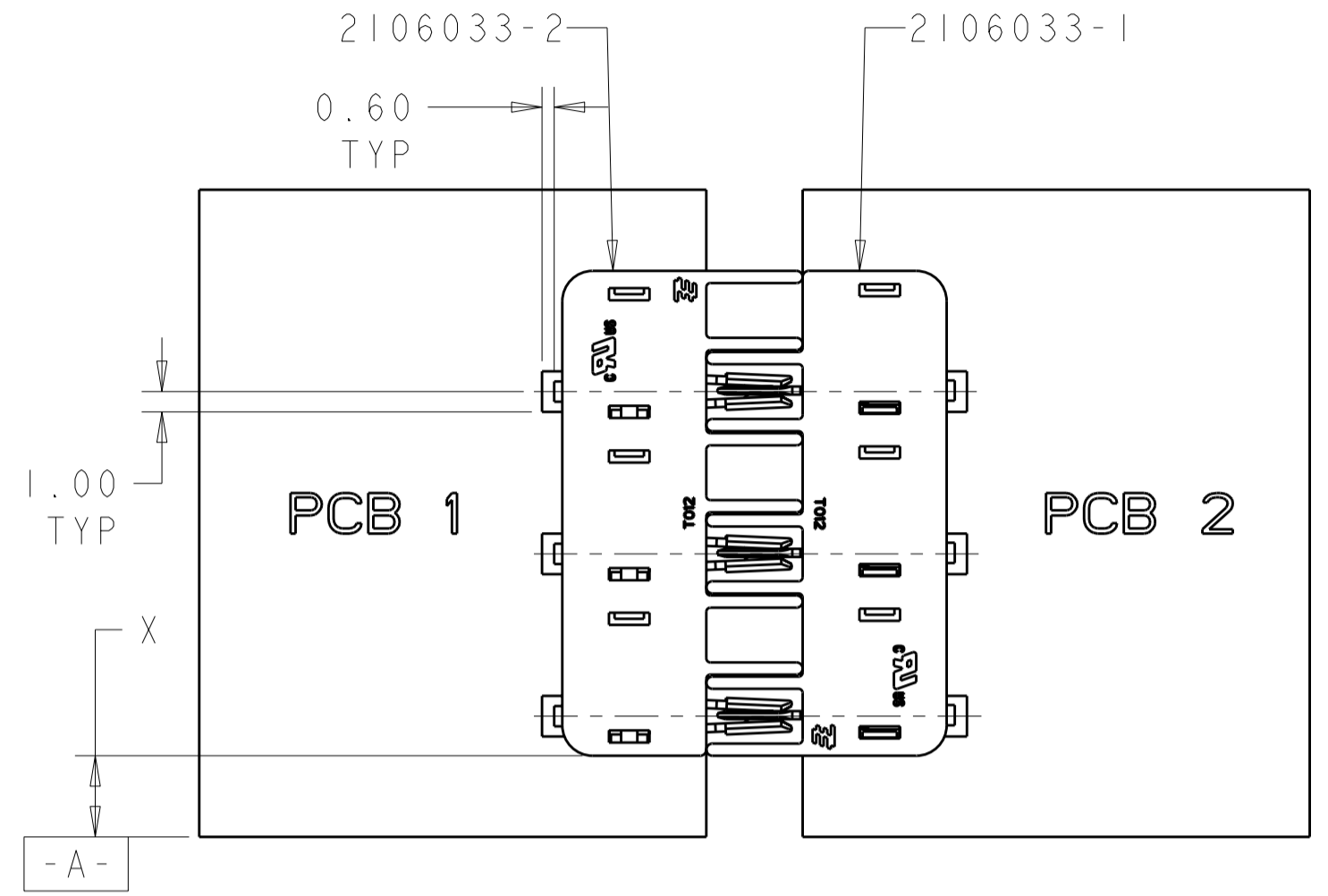
DESIGN APPROVED THIS PRINT IS  
**PRELIMINARY**  
 TO FIRST PIECE APPROVAL  
 CONTACT PRODUCT ENGINEERING  
 BEFORE USING THIS PRINT

2106033-2  
 PART NO.

|  |   |   |  |
|--|---|---|--|
| <small>THIS DRAWING IS A CONTROLLED DOCUMENT FOR TYCO ELECTRONICS CORPORATION. IT IS SUBJECT TO CHANGE AND THE CONTROLLING ENGINEERING ORGANIZATION SHOULD BE CONTACTED FOR THE LATEST REVISION.</small> |   | DWN S. FISHER 10NOV2008<br>CHK R. NARANG 10NOV2008<br>APVD R. NARANG 12NOV2008      | Tyco Electronics<br>Harrisburg, PA 17105-3608  |
| DIMENSIONS:<br>mm  | TOLERANCES UNLESS OTHERWISE SPECIFIED:<br>0 PLC ±<br>1 PLC ±.13<br>2 PLC ±.13<br>3 PLC ±.013<br>4 PLC ±<br>ANGLES ±<br>FINISH | PRODUCT SPEC 108-2342<br>APPLICATION SPEC 114-13225<br>WEIGHT -<br>CUSTOMER DRAWING | NAME CONNECTOR ASSEMBLY, SELECT LOADING, 6 POSITION, BLADE AND RECEPTACLE<br>SIZE A200779<br>CAGE CODE C-2106033<br>DRAWING NO. 2106033<br>RESTRICTED TO - |
|  |   | SCALE 5:1   | SHEET 2 OF 3 REV 5   |

THIS DRAWING IS UNPUBLISHED. RELEASED FOR PUBLICATION 20  
 © COPYRIGHT 20 BY TYCO ELECTRONICS CORPORATION. ALL RIGHTS RESERVED.

| LOC |     | DIST        |      | REVISIONS |      |  |  |  |
|-----|-----|-------------|------|-----------|------|--|--|--|
| P   | LTR | DESCRIPTION | DATE | DWN       | APVD |  |  |  |
| -   | -   | SEE SHEET 1 | -    | -         | -    |  |  |  |
|     |     |             |      |           |      |  |  |  |
|     |     |             |      |           |      |  |  |  |



SCALE 3:1

SCALE 3:1

RECOMMENDED PCB LAYOUT

DESIGN APPROVED THIS PRINT IS  
**PRELIMINARY**  
 TO FIRST PIECE APPROVAL  
 CONTACT PRODUCT ENGINEERING  
 BEFORE USING THIS PRINT

|  |  |                                |   |                        |
|--|--|--------------------------------|---|------------------------|
| THIS DRAWING IS A CONTROLLED DOCUMENT FOR TYCO ELECTRONICS CORPORATION<br>IT IS SUBJECT TO CHANGE AND THE CONTROLLING ENGINEERING ORGANIZATION<br>SHOULD BE CONTACTED FOR THE LATEST REVISION. |  | DWN<br>S. FISHER<br>10NOV2008  | Tyco Electronics<br>Harrisburg, PA 17105-3608                                   |                        |
| DIMENSIONS:<br>mm  |  | CHK<br>R. NARANG<br>10NOV2008  | NAME<br>CONNECTOR ASSEMBLY, SELECT LOADING,<br>6 POSITION, BLADE AND RECEPTACLE |                        |
| TOLERANCES UNLESS OTHERWISE SPECIFIED:<br>0 PLC ±<br>1 PLC ±.13<br>2 PLC ±.13<br>3 PLC ±.013<br>4 PLC ±<br>ANGLES ±<br>FINISH  |  | APVD<br>R. NARANG<br>12NOV2008 | PRODUCT SPEC<br>108-2342  |                        |
| MATERIAL   |  | APPLICATION SPEC<br>114-13225  | SIZE<br>A200779   | CAGE CODE<br>C-2106033 |
|  |  | WEIGHT<br>-                    | DRAWING NO<br>-   | RESTRICTED TO<br>-     |
|  |  | CUSTOMER DRAWING               | SCALE 5:1   | SHEET 3 OF 3 REV 5     |