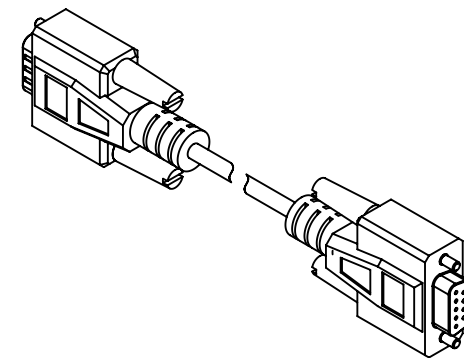
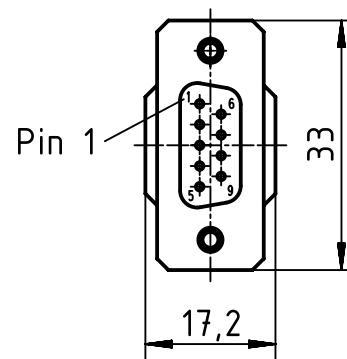
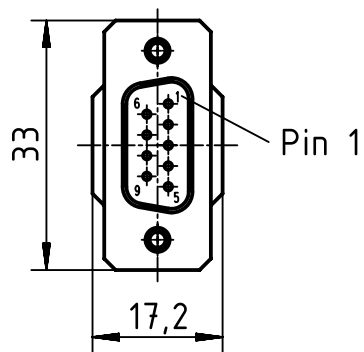
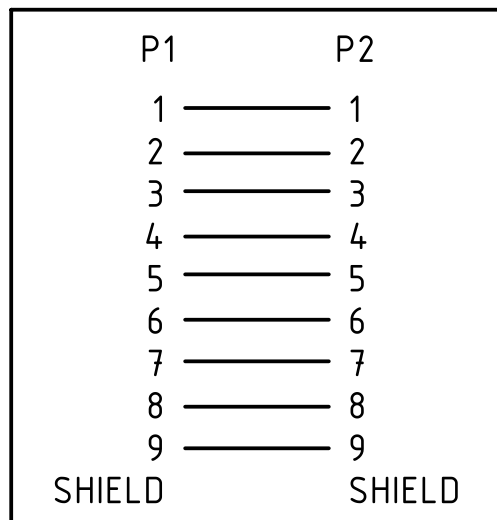


X DB9 M DB9 F Y  
1:1 P1 P2 1:1

circuit diagram



	All Dimensions in mm Original Size DIN A4	Scale 1:2	Free size tol.		Ref.	
	All rights reserved Department EL PD - DE	Created by FINKEV	Inspected by BERGHORN	Standardisation RUETERA	Date 2014-12-09	State Final Release
Title Cable SUB-D9,f-m; 2 m					Doc-Key / ECM-Nr. 100093536/UGD/003/A 500000082786	
HARTING Electric GmbH & Co. KG D-32339 Espelkamp		Type TB	Number 39 50 903 0020		Rev. A	Page 1/1

# Mouser Electronics

Authorized Distributor

Click to View Pricing, Inventory, Delivery & Lifecycle Information:

[HARTING:](#)

[39509030020](#)