

**PLEASE CHECK WWW.MOLEX.COM FOR LATEST PART INFORMATION**

**Part Number:** [0765461129](#)  
**Status:** **Active**  
**Overview:** EXTreme Ten60Power™ High-Current Connector  
**Description:** 2.50mm, 7.50mm Pitch EXTreme Ten60Power™ Vertical Plug Assembly, 2 Power Circuits

**Documents:**

[3D Model](#) [Application Specification AS-46436-100 \(PDF\)](#)  
[Drawing \(PDF\)](#) [RoHS Certificate of Compliance \(PDF\)](#)  
[Product Specification PS-46436-100 \(PDF\)](#)

**Agency Certification**

CSA LR19980  
 UL E29179

**General**

Product Family PCB Headers  
 Series 76546  
 Application Board-to-Board  
 Overview [EXTreme Ten60Power™ High-Current Connector](#)  
 Product Name EXTreme Ten60Power™  
 UPC 884982271463

**Physical**

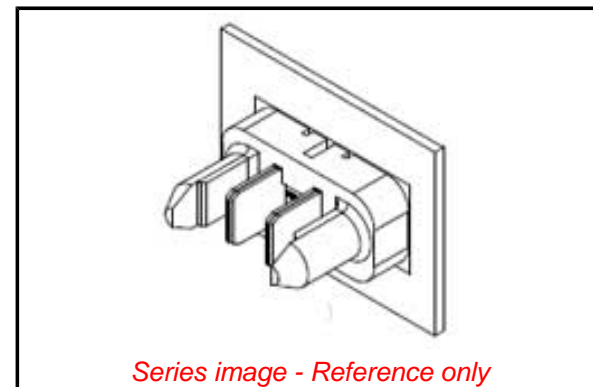
(p)ower-(s)ignal Configuration 2p - 0s  
 Breakaway No  
 Circuits (Loaded) 2  
 Circuits (maximum) 2  
 Color - Resin Black  
 Durability (mating cycles max) 200  
 First Mate / Last Break No  
 Flammability 94V-0  
 Glow-Wire Compliant No  
 Guide to Mating Part Yes  
 Keying to Mating Part Yes  
 Lock to Mating Part Yes  
 Material - Metal Copper Alloy  
 Material - Plating Mating Gold over Nickel, Tin  
 Material - Resin High Temperature Thermoplastic  
 Net Weight 3.497/g  
 Number of Rows 2  
 Orientation Vertical  
 PC Tail Length 3.10mm  
 PCB Locator No  
 PCB Retention None  
 PCB Thickness - Recommended 1.58mm  
 Packaging Type Tray  
 Pitch - Mating Interface 2.50mm, 7.50mm  
 Polarized to Mating Part Yes  
 Polarized to PCB Yes  
 Termination Interface: Style Solder or Weld, Through Hole

**Electrical**

Current - Maximum per Contact 2.5A, 60.0A

**Solder Process Data**

Duration at Max. Process Temperature (seconds) 040  
 Lead-freeProcess Capability SMC&WAVE



**EU ELV**

**Not Relevant**

**EU RoHS**

**Compliant**

**REACH SVHC**

Contains SVHC(2014 December 17): No

**Halogen-Free**

**Status**

**Not Low-Halogen**

**Need more information on product environmental compliance?**

Email [productcompliance@molex.com](mailto:productcompliance@molex.com)  
 Please visit the [Contact Us](#) section for any non-product compliance questions.

China ROHS

ELV

Green Image

Not Relevant

**Search Parts in this Series**

[76546 Series](#)

**Mates With**

[46562-1129](#) EXTreme Ten60Power™ Vertical Receptacle

Max. Cycles at Max. Process Temperature	003
Process Temperature max. C	260

**Material Info**

**Reference - Drawing Numbers**

Application Specification	AS-46436-100
Product Specification	PS-46436-100
Sales Drawing	SD-76546-1129

This document was generated on 06/30/2015

**PLEASE CHECK [WWW.MOLEX.COM](http://WWW.MOLEX.COM) FOR LATEST PART INFORMATION**