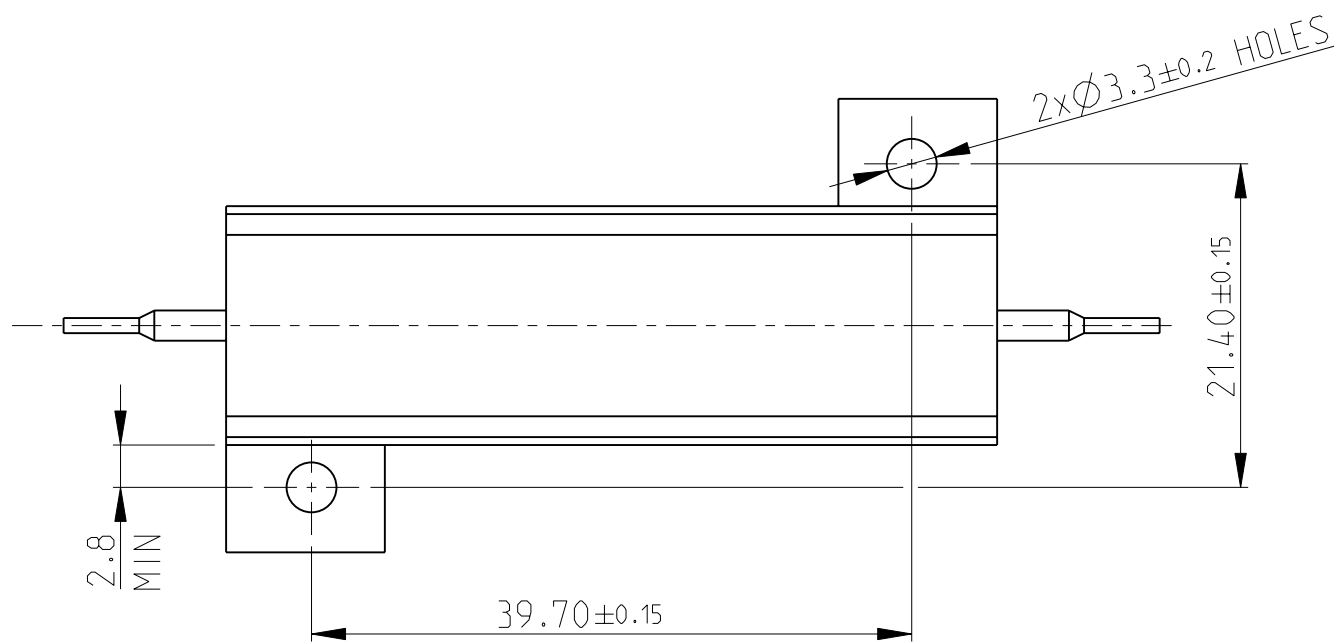


LOC	DIST	REVISIONS			
P	LTR	DESCRIPTION	DATE	DWN	APVD
E	B	B2	REVISED PER ECO-11-005150	29MAR2011	RK HMR



- 1 FOR FURTHER INFORMATION SEE DATA SHEET FOR HS SERIES-ALUMINIUM HOUSED RESISTORS
- 2 FOR A SPECIFIC PN FOR A RESISTANCE VALUE AND TOLERANCE, PLEASE REFER TO DMF
- 3 TECHNICAL SPECIFICATION

DISSIPATION AT 25°C : 50 WATTS MOUNTED ON STANDARD HEATSINK

BS OHMIC RANGE : R051 TO 72K

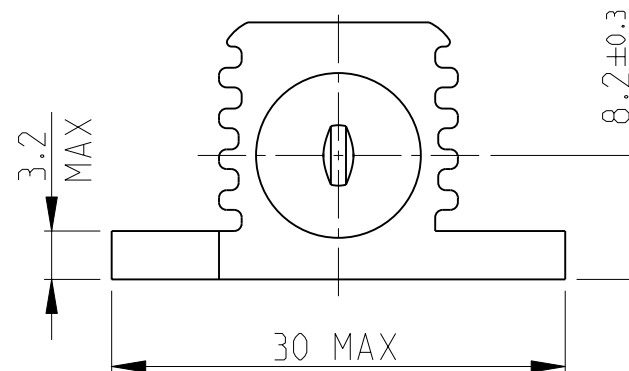
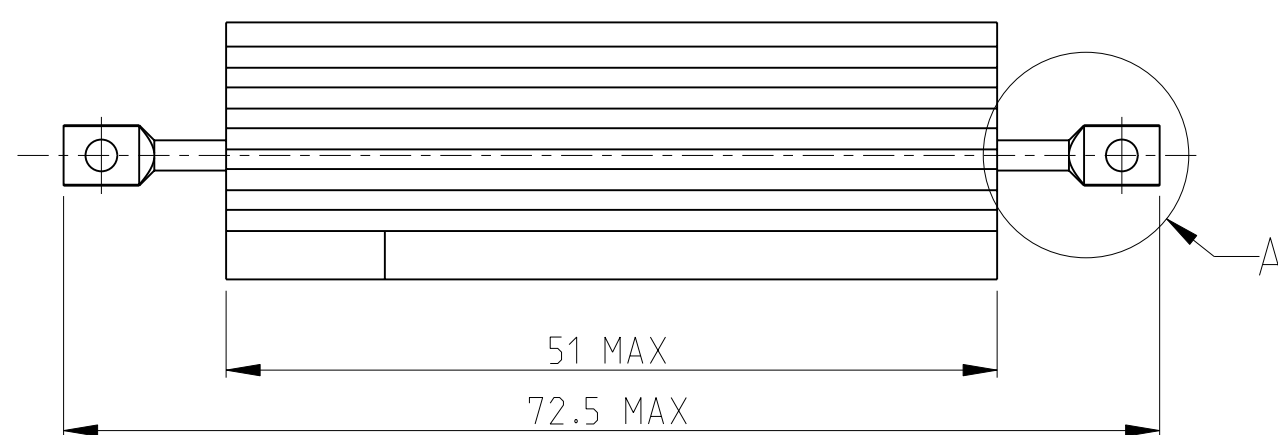
STABILITY : ΔR < =1% PER 1000Hrs

ISOLATION VOLTAGE : 2500V DC/AC pk

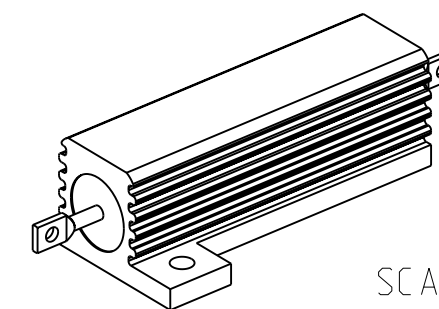
MAX WORKING VOLTAGE : 1250V DC/AC rms

TEMP COEFFICIENT : > 1R0 50ppm
> 100R 25ppm

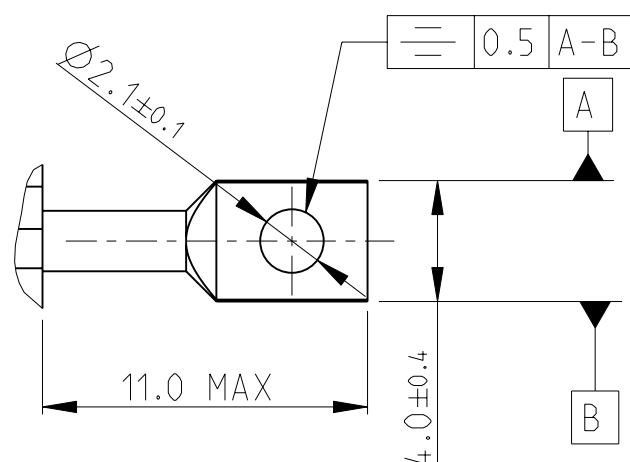
CLIMATIC CATEGORY : 55/200/56




RoHS Compliant



DETAIL A
SCALE 4:1



THIS DRAWING IS A CONTROLLED DOCUMENT.		DWN DAVE KENNEDY 22.SEP.05	 TE Connectivity		
DIMENSIONS: mm		CHK J CATCHPOLE 23.SEP.05			
TOLERANCES UNLESS OTHERWISE SPECIFIED:		APVD J CATCHPOLE 23.SEP.05	NAME HSA50 WIDE BORE		
0 PLC ±0.5		PRODUCT SPEC	-		
1 PLC ±0.2		APPLICATION SPEC	-		
2 PLC ±0.1		WEIGHT	-		
3 PLC ±		CUSTOMER DRAWING	SIZE A3	CAGE CODE 00779	DRAWING NO C=1625984
4 PLC ±		SCALE	3:1		SHEET 1 OF 1
ANGLES ±5°		RESTRICTED TO	-		
FINISH -		REV	B2		