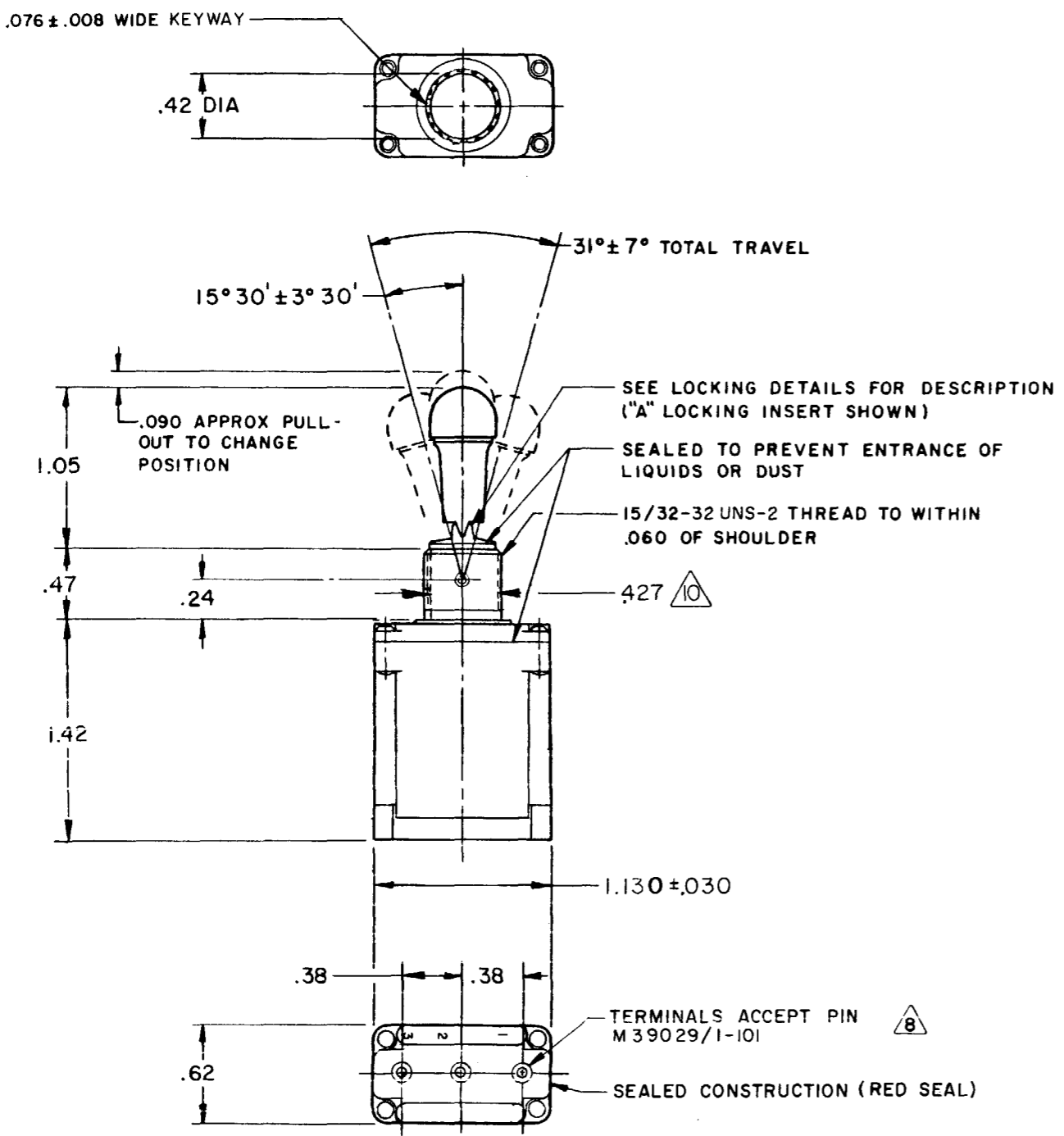


CATALOG LISTING
M101TL2 SERIES CHART 2
 PAGE 1 OF 1
 ISSUE 15
 REVISIONS
 A C092297 JAK 16 FEB 98
 B 204687 GJW 09 JAN 02
 18 MAR 73
 14 MAY 73
 RASTER
 DRAWN
 D B W
 CHECK
 CHICK
 CHICK
 CHICK
 PR-3340
 REPLACES

MICRO SWITCH
 FREEPORT, ILLINOIS, U.S.A.
 A DIVISION OF HONEYWELL
 FED. MFG. CODE 91929

CATALOG LISTING
101TL2 SERIES
CHART 2
SWITCH - TOGGLE

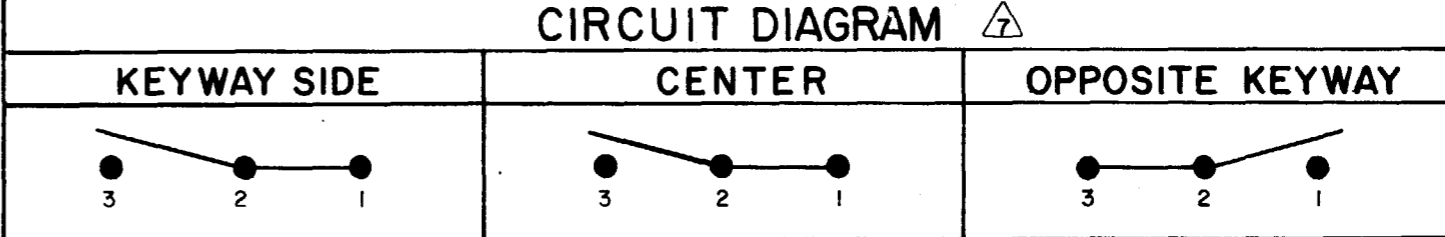
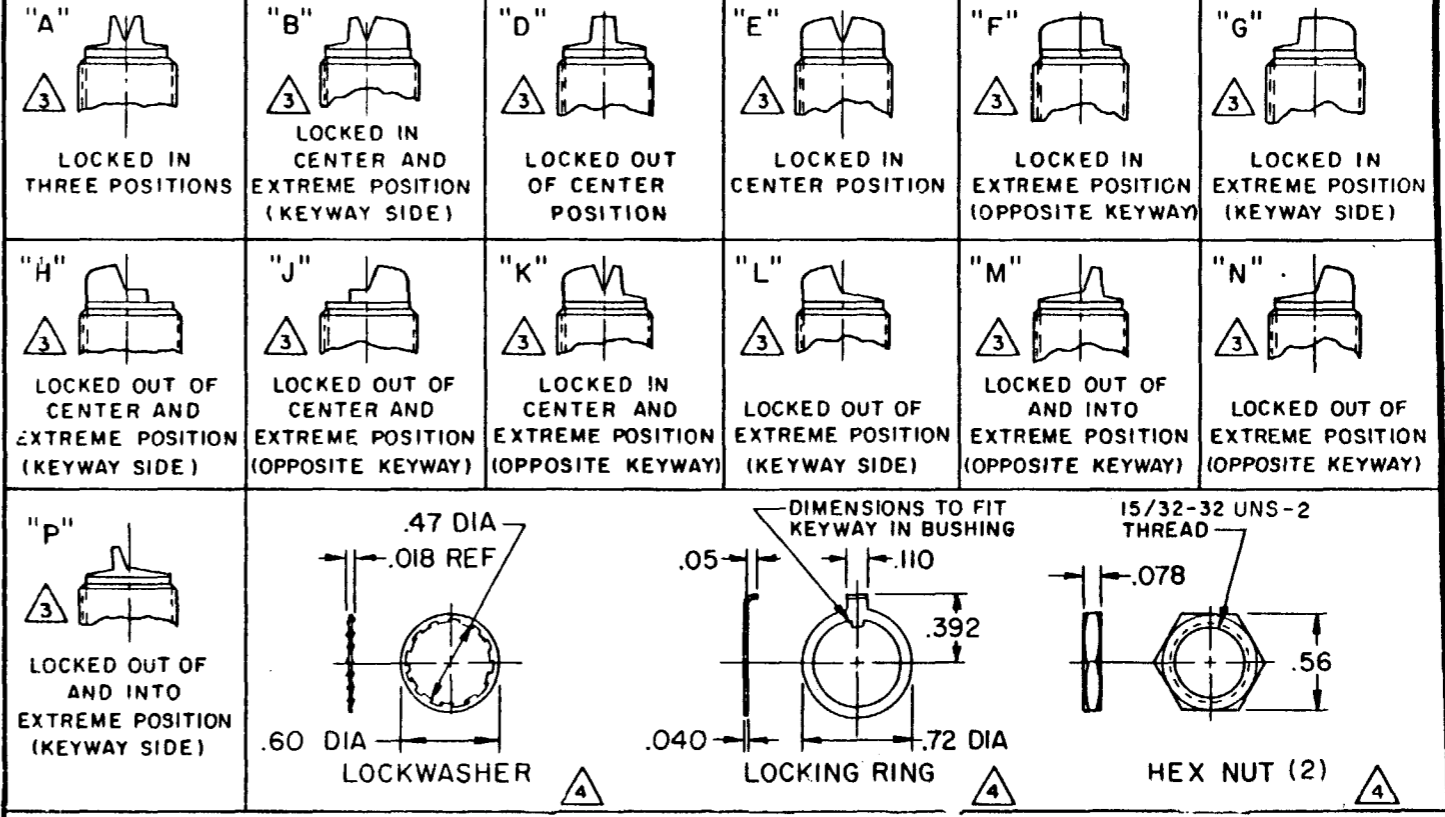
THIS DRAWING COVERS A PROPRIETARY ITEM AND IS THE PROPERTY OF MICRO SWITCH, A DIVISION OF HONEYWELL. THIS DRAWING IS NOT TO BE COPIED OR USED WITHOUT THE APPROVAL OF MICRO SWITCH.



- NOTES**
- SWITCHES ARE CAPABLE OF WITHSTANDING A TEMPERATURE OF 160° F CONTINUOUSLY AT FULL RATED LOAD
 - CIRCUIT DESIGNATION, MICRO SWITCH CATALOG LISTING, DATE CODE AND "MS" NUMBER IDENTIFIED ON SIDE OF SWITCH
 - KEYWAY SHOWN ON LEFT SIDE
 - FURNISHED UNASSEMBLED
 - THESE SWITCHES ARE QUALIFIED UNDER MIL-S-3950
 - SUFFIX LETTER MUST BE ADDED FOR DESIRED TYPE TOGGLE LOCKING. SEE CHART FOR AVAILABLE LOCKING COMBINATIONS
 - CIRCUIT DIAGRAMS APPLY ONLY TO "ON" AND "MOM ON" POSITIONS
 - THE SEALING GROMMET SHALL SEAL ON A SMOOTH WIRE INSULATION OF .040 TO .083 DIAMETERS (16-20 GAGE)
 - UNUSED TERMINAL HOLES MAY BE SEALED WITH PLUGS M83723/28-20

SCALE FULL
 DO NOT SCALE PRINT
 UNLESS OTHERWISE NOTED
 DIMENSIONS ARE IN INCHES
TOLERANCES ARE
 ONE PLACE (.0) ± .030
 TWO PLACE (.00) ± .015
 THREE PLACE (.000) ± .008
 ANGLES ±
 WEIGHT

CAT. LIST.	AVAILABLE LOCKING COMBINATIONS FOR CONFIGURATION SEE LETTERED DETAILS	CIRCUIT WITH TOGGLE IN			CURRENT CAPACITY (AMPS)								MS NUMBER		
		EXTREME POSITION KEYWAY SIDE	CENTER	EXTREME POSITION OPPOSITE KEYWAY	RESISTIVE LOAD				LAMP LOAD		INDUCTIVE LOAD				
					30 DC VOLTS	115 AC VOLTS	250	115	230	30 VDC	115 VAC	30 VDC		115 VAC	
101TL2-1	A,B,D,E,F,G,H,J,K,L,M,N,P	ON	OFF	ON											27787-21
101TL2-2	D, F, G	OFF	NONE	ON											27787-22
101TL2-3	D, F, G	ON	NONE	ON											27787-23
101TL2-21	E, F, K, M, N	NONE	OFF	ON	75	.75	.5	75	6	5	3	75	7.5		27787-24
101TL2-31	E, F, K, M	NONE	ON	ON											27787-33
101TL2-4	F, G	MOM OFF	NONE	ON											27787-29
101TL2-5	E, F, K, L, M, N	MOM ON	OFF	ON											27787-31
101TL2-6	F	MOM ON	NONE	OFF											27787-30
101TL2-7	E, L, N	MOM ON	OFF	MOM ON											27787-27
101TL2-8	F	MOM ON	NONE	ON	7.5	.75	.5	7.5	6	4	2	7.5	7.5		27787-26
101TL2-51	E	NONE	ON	MOM ON											27787-32
101TL2-61	E	MOM ON	OFF	NONE											27787-28
															27787-25



FROM BOTTOM OF KEYWAY TO MAJOR DIA OF 15/32 THREAD