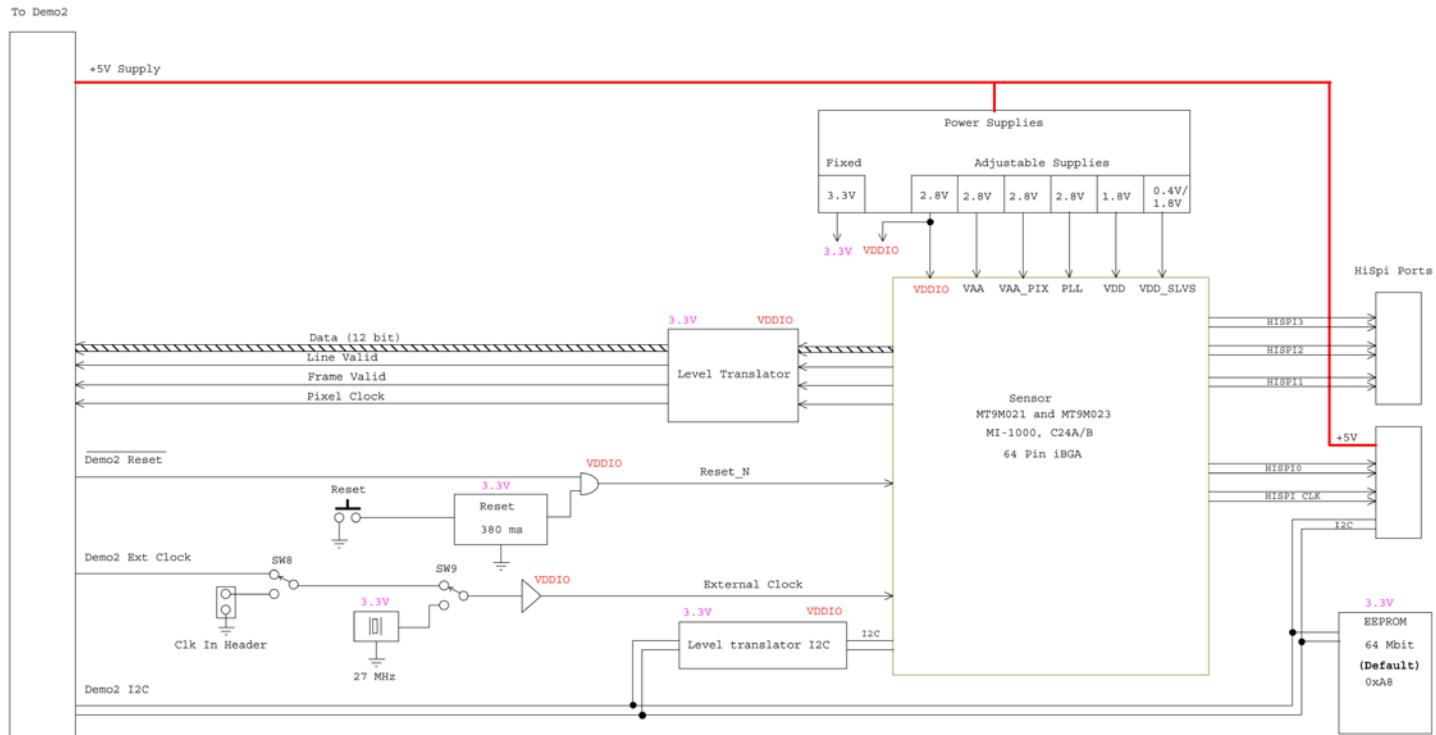
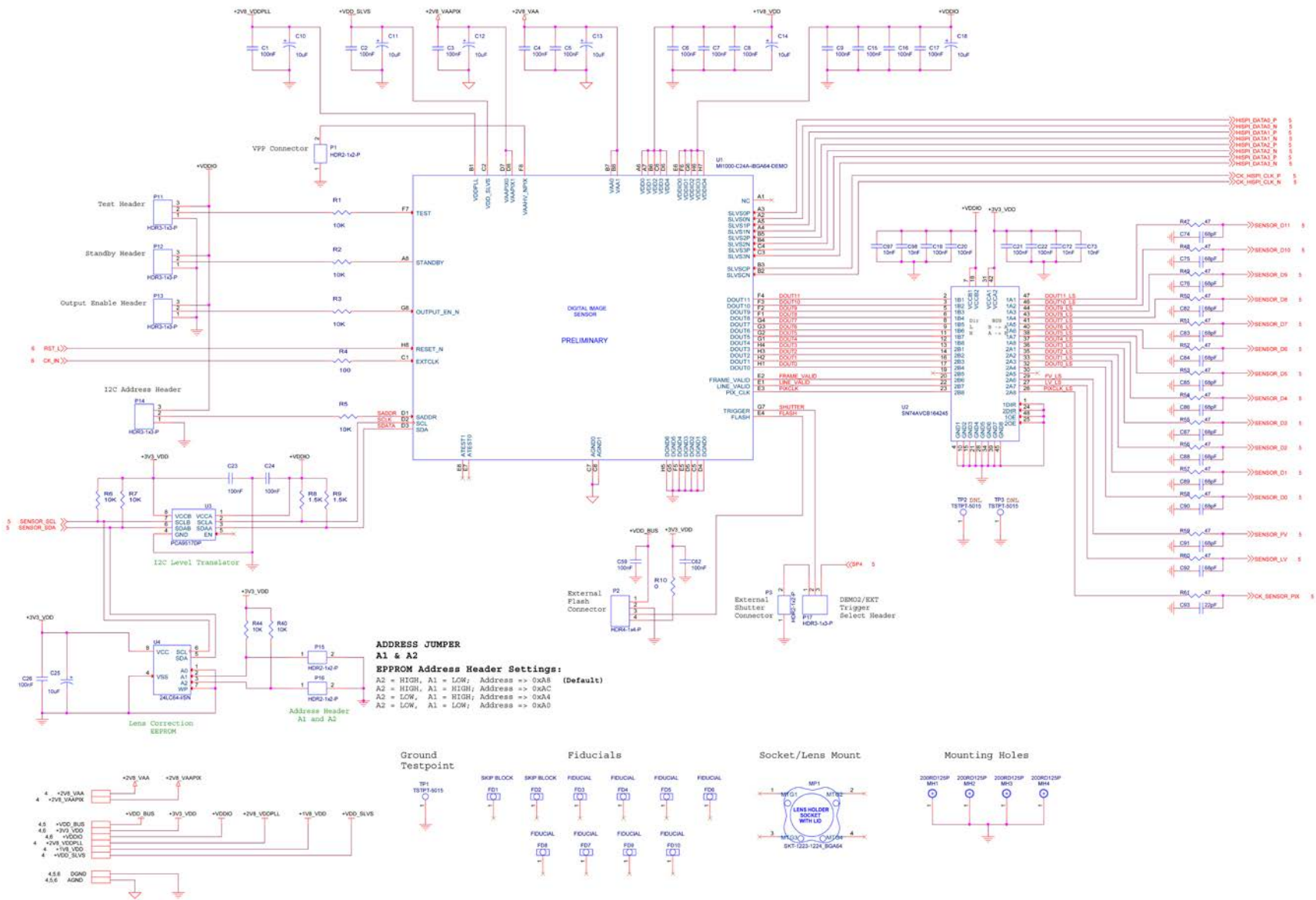


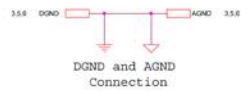
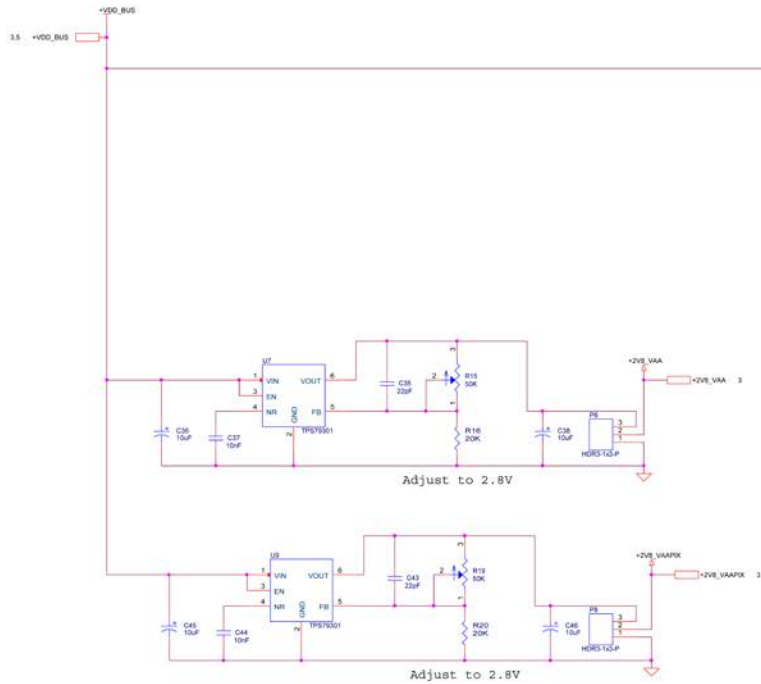
Schematic for the AR0132AT6M00XPEAH3-GEVB Evaluation Board

Block Diagram - MT9M021 IBGA and MT9M023 IBGA

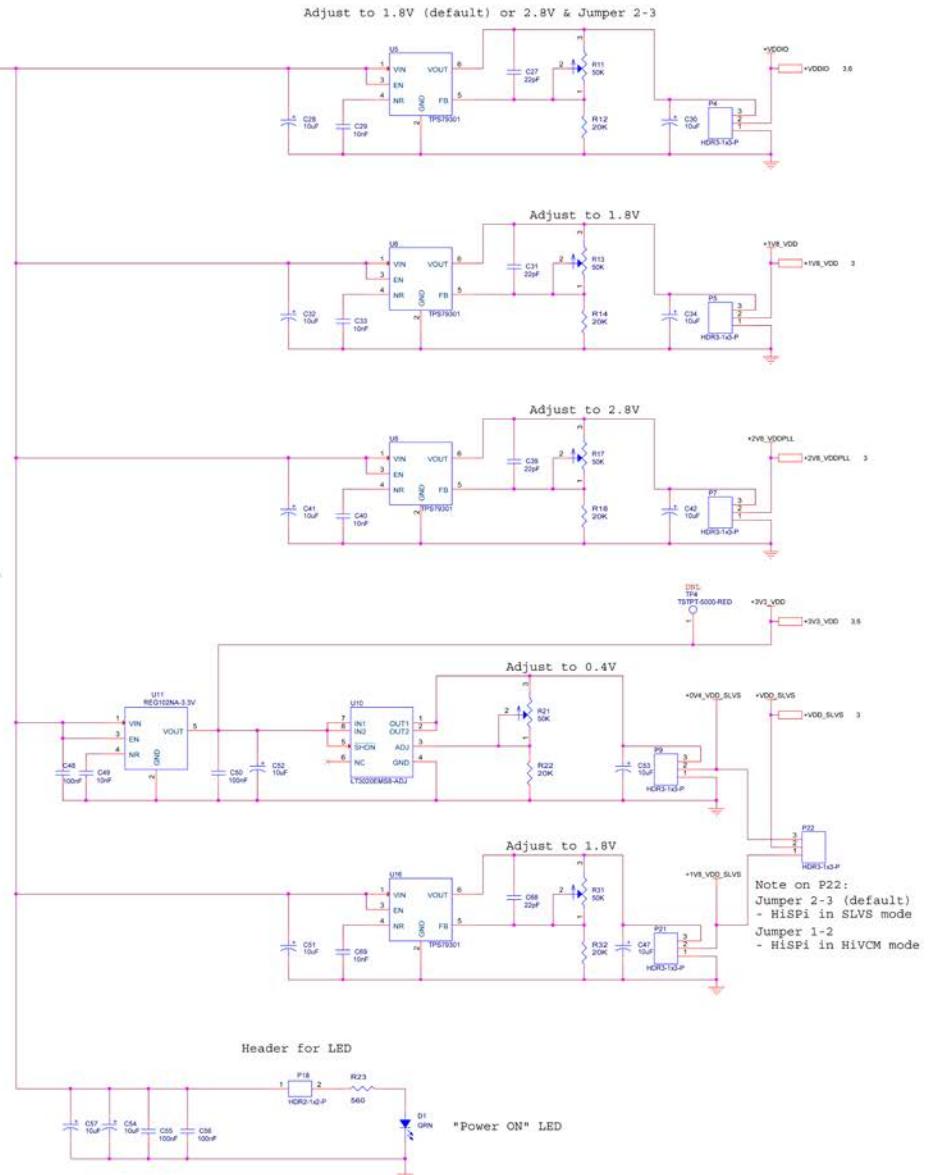




Analog



Digital



Headboard Interface

