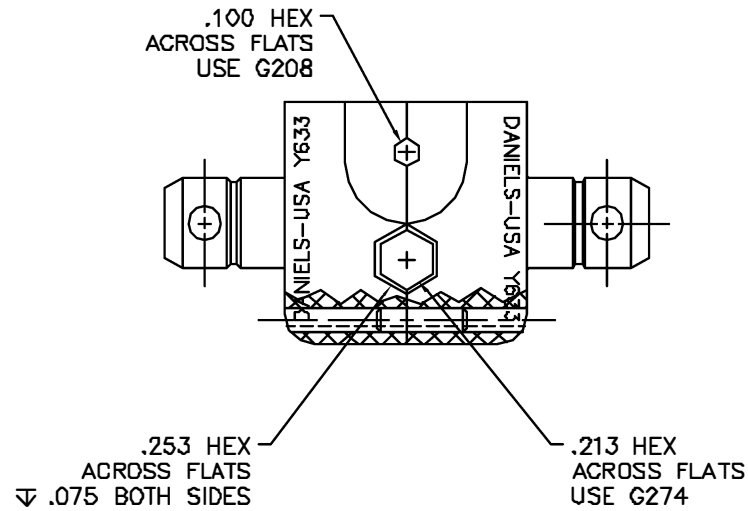
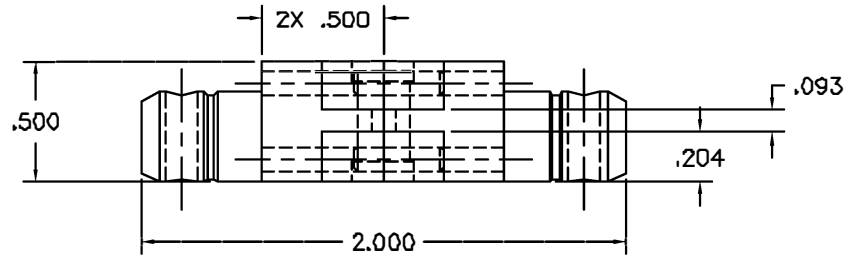



REVISIONS				
REV. SYM.	E.G.D. NUMBER	DESCRIPTION	BY DATE	APP'D DATE
1		ORIGINAL RELEASE	DH 4/20/88	TS 4/21/88



**UNCONTROLLED DOCUMENT
WILL NOT BE UPDATED**

RESTRICTED & CONFIDENTIAL CONFIDENTIAL PROPERTY OF DANIELS MANUFACTURING CORP. NOT TO BE DISCLOSED TO OTHERS, REPRODUCED OR USED FOR ANY OTHER PURPOSE EXCEPT AS AUTHORIZED IN WRITING BY DANIELS MANUFACTURING. MUST BE RETURNED TO DANIELS MANUFACTURING CORP. ON COMPLETION OF ORDER OR OTHER PURPOSE FOR WHICH LOANED.	MATERIAL	ITEM	PART NO.	QTY.	DESCRIPTION/REMARKS				
	HEAT TREAT	DRN.	DATE		 DANIELS MANUFACTURING CORP. ORLANDO, FLORIDA CAGE 11851				
		CHK'D.	DATE						
		APP'D.	DATE						
FINISH	APP'D.	DATE		TITLE		DIE SET ENVELOPE DRAWING			
DO NOT SCALE DRAWING					WHERE USED:				
					SIZE	SCALE	CAD P/N	SHEET	OF
					B	2/1	Y633-ENV	1	1
					POSTING		P/N	REV.	
							Y633-ENV	1	