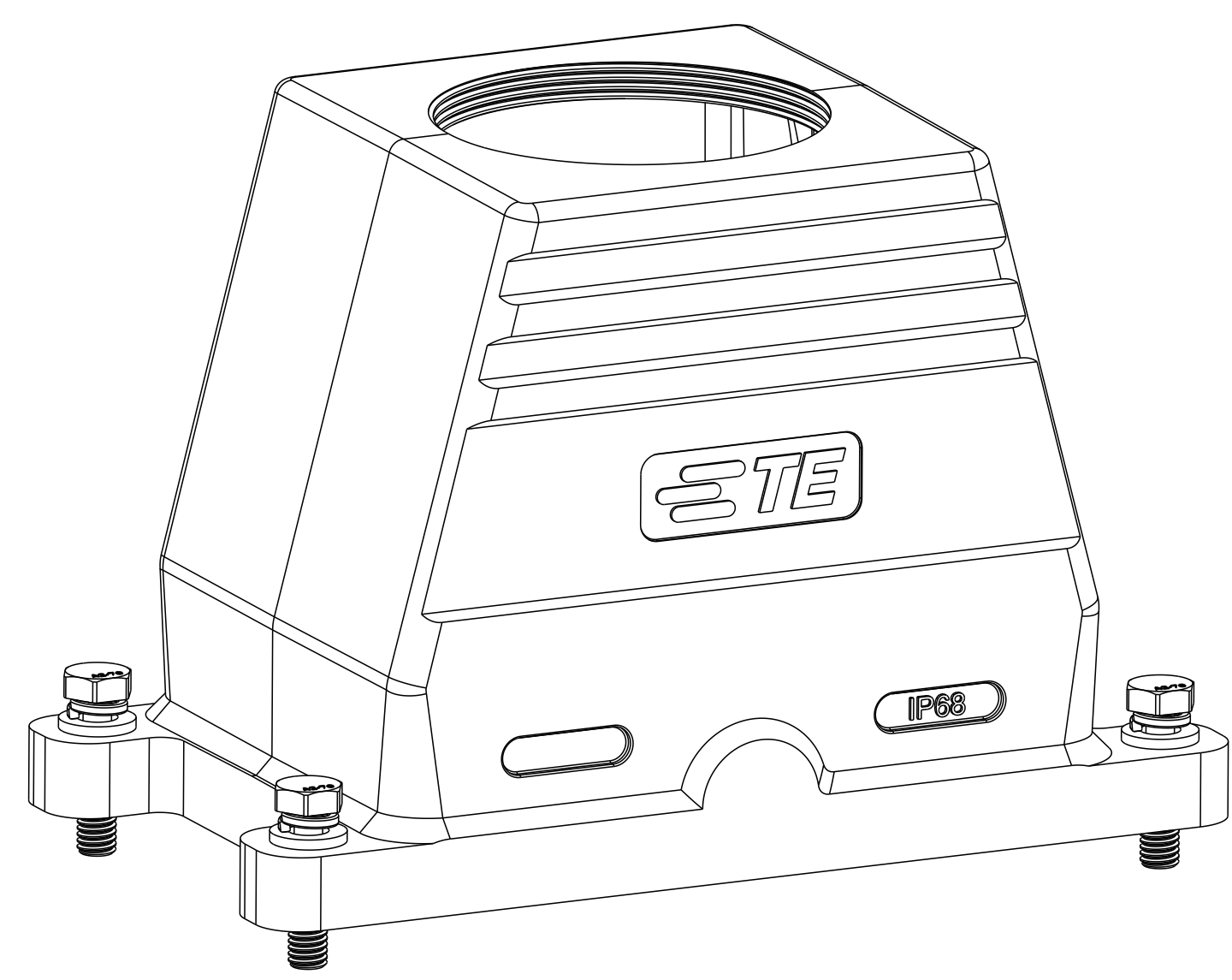
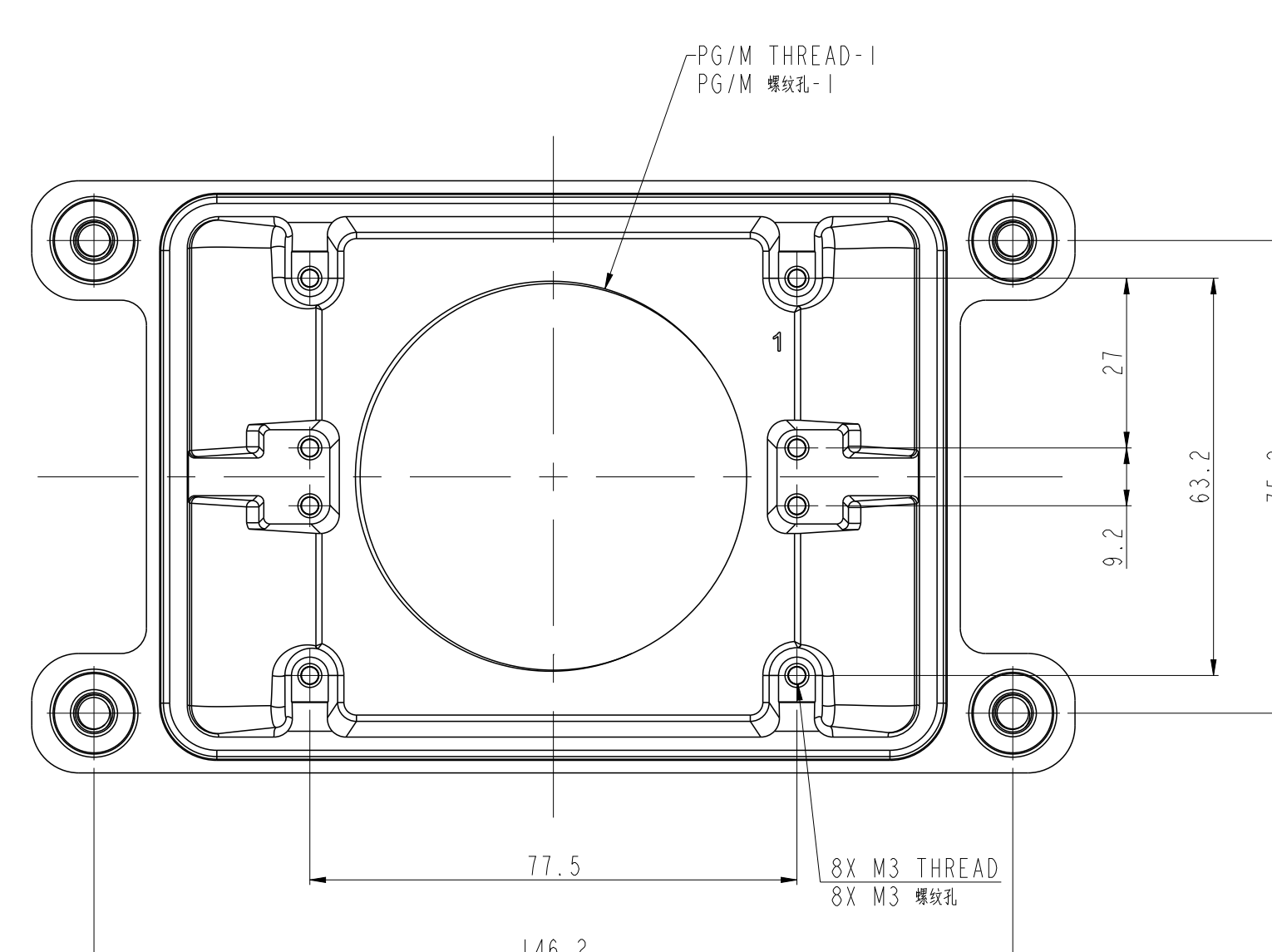
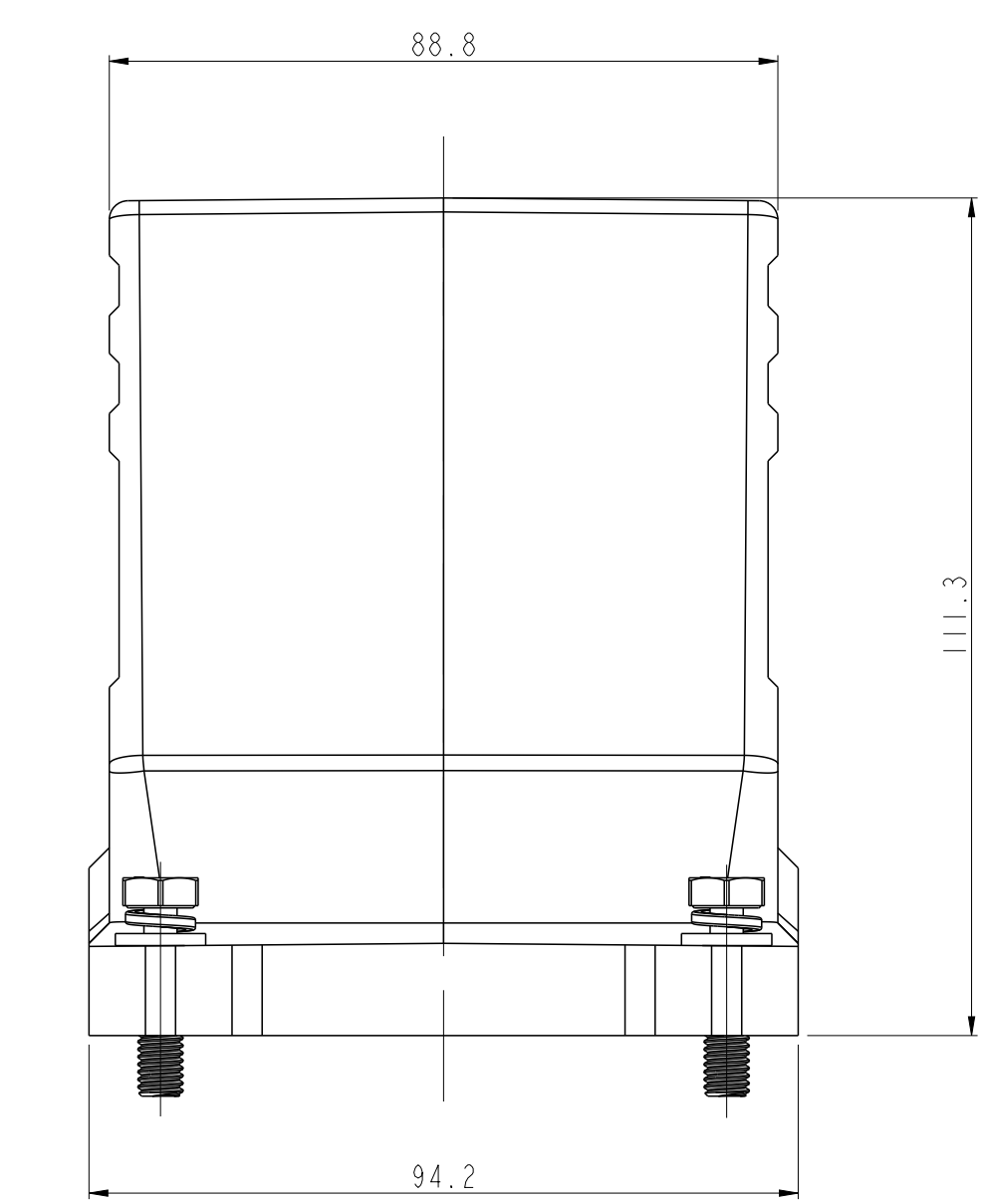
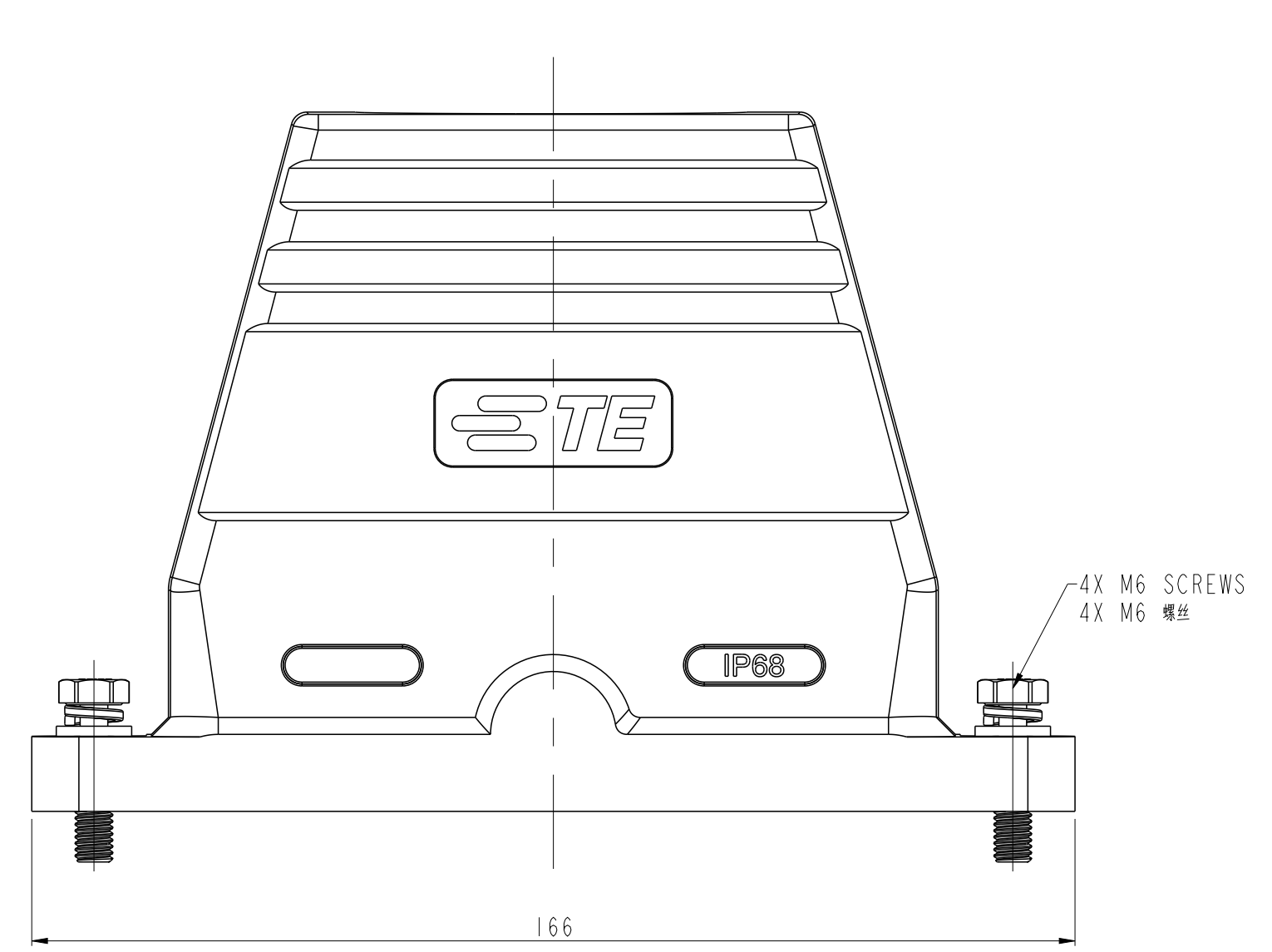
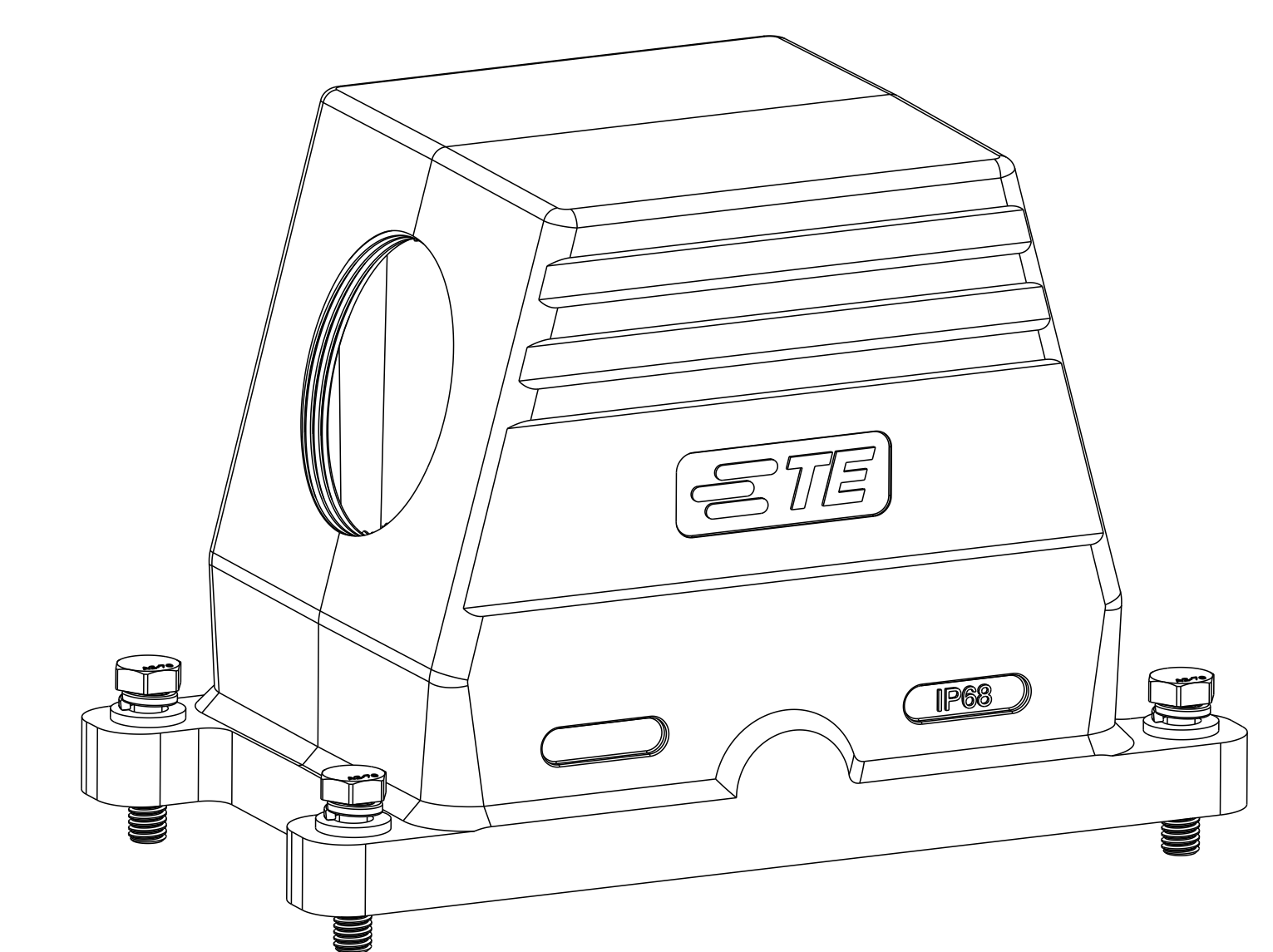
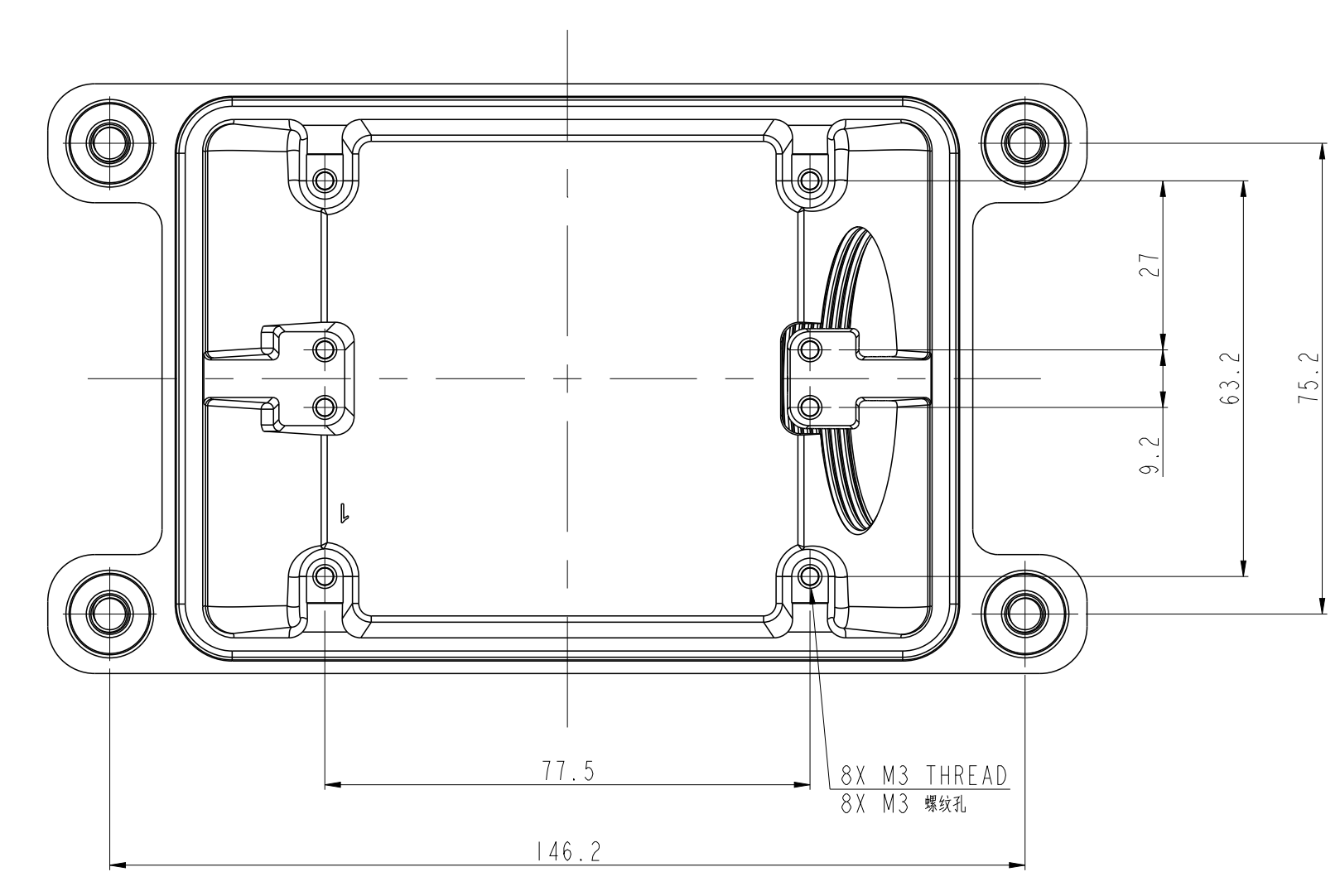
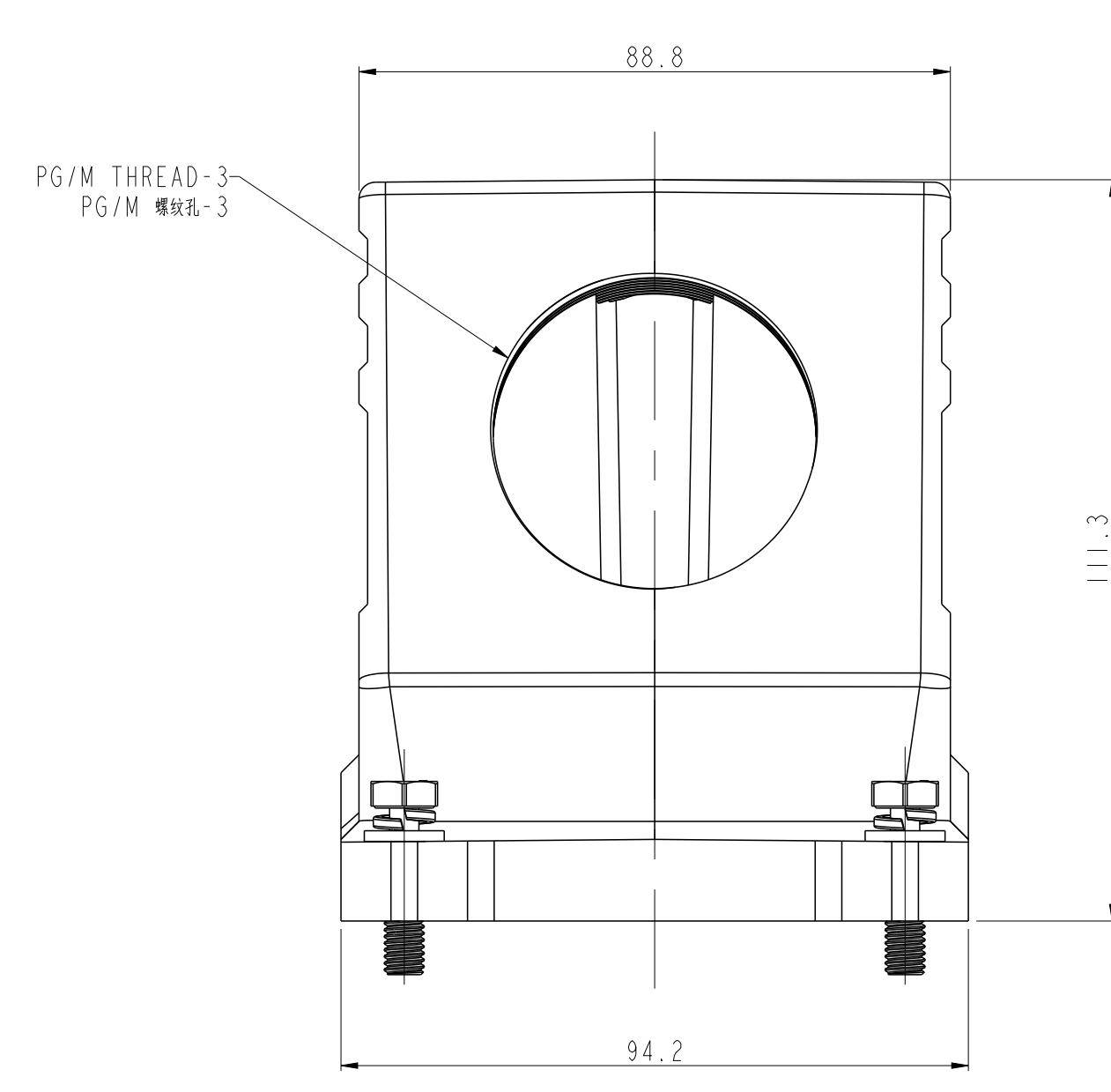
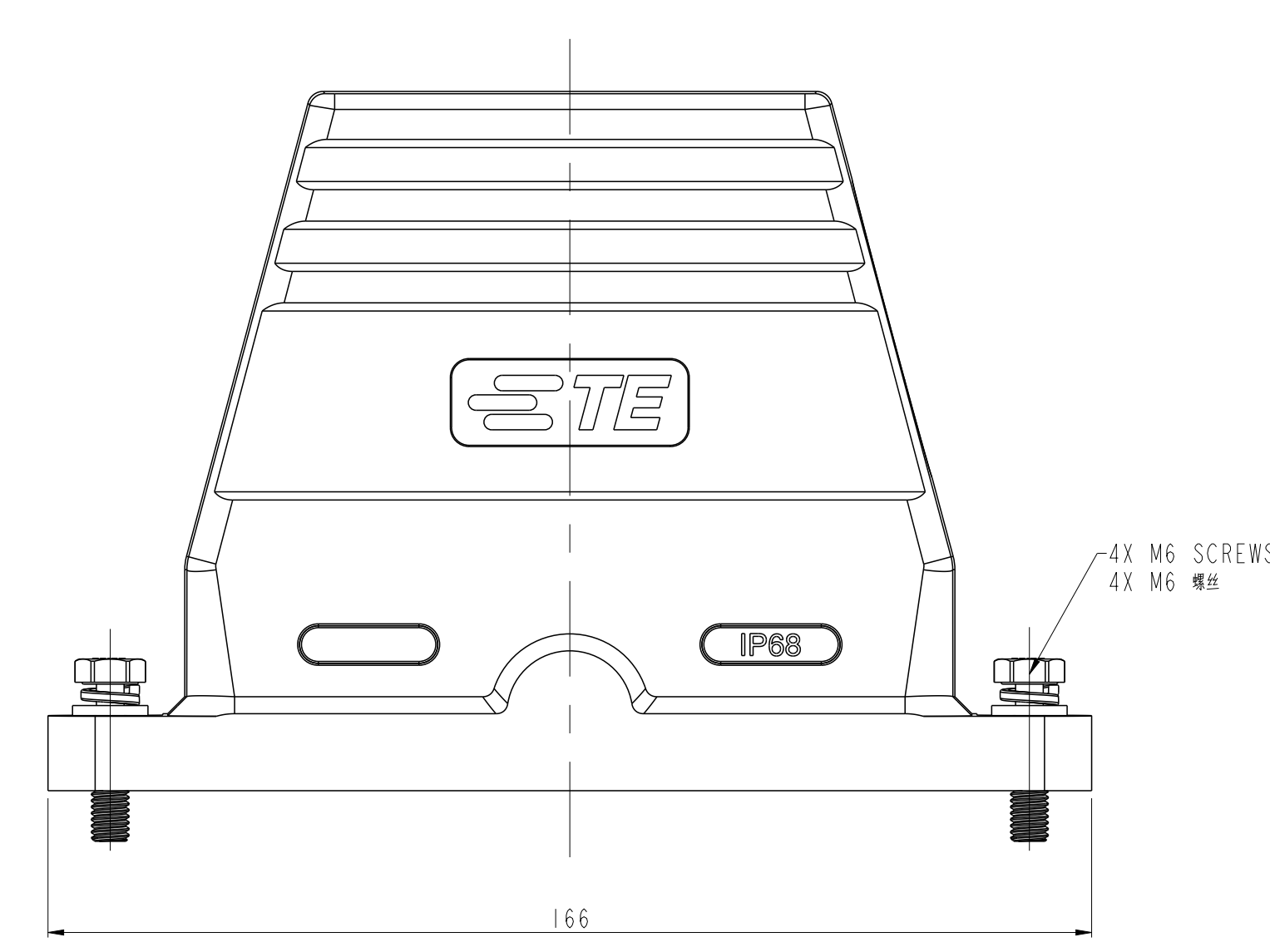


REVISIONS			
REV	DATE	BY	APPD
A	INITIAL	26JUL2016	DY CW
A1	ECR-16-014639	15OCT2016	DY CW
A2	ECR-19-003922	19MAR2019	CD CW

TYPE-1: STANDARD TOP ENTRY
 AM-1: 000000

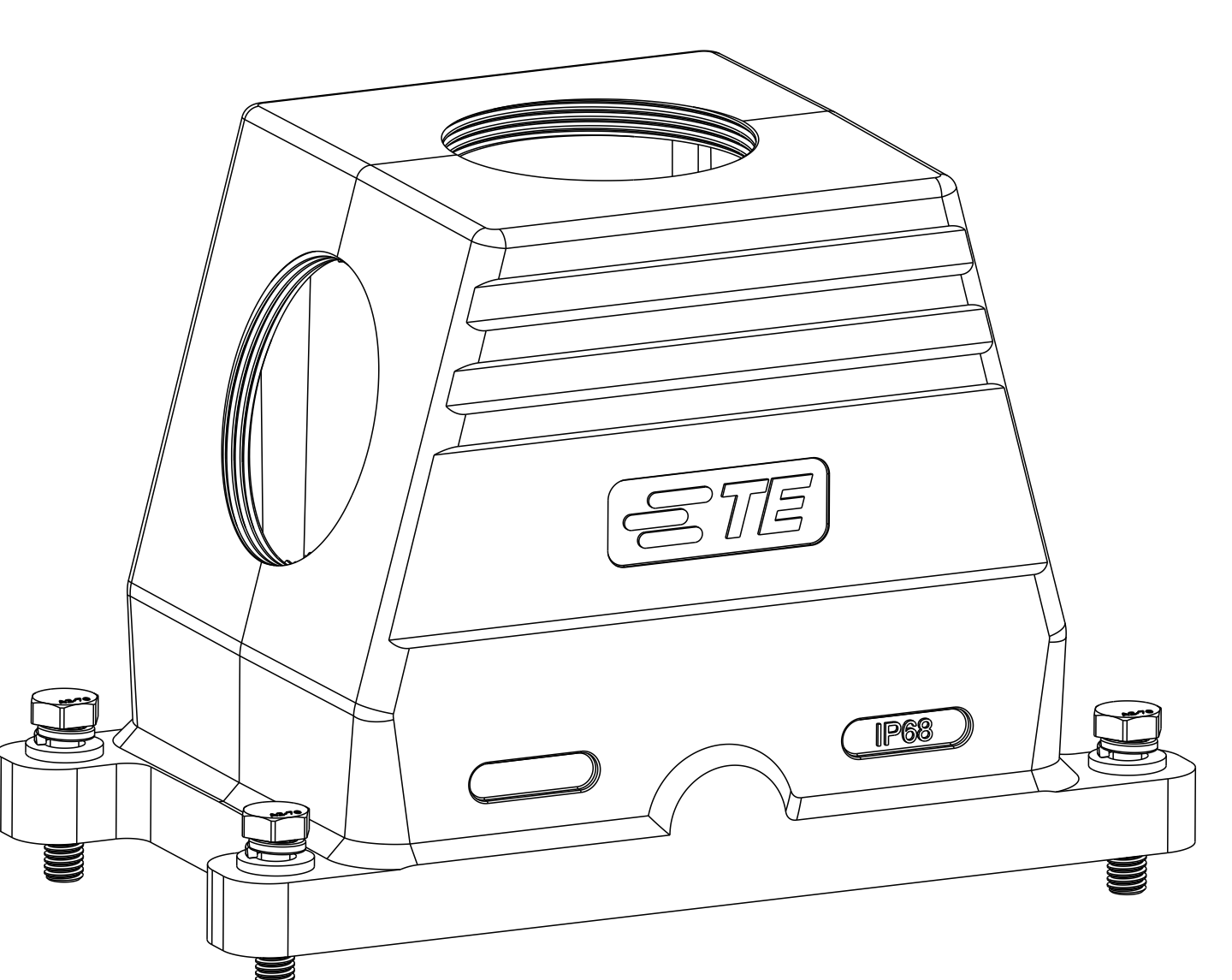
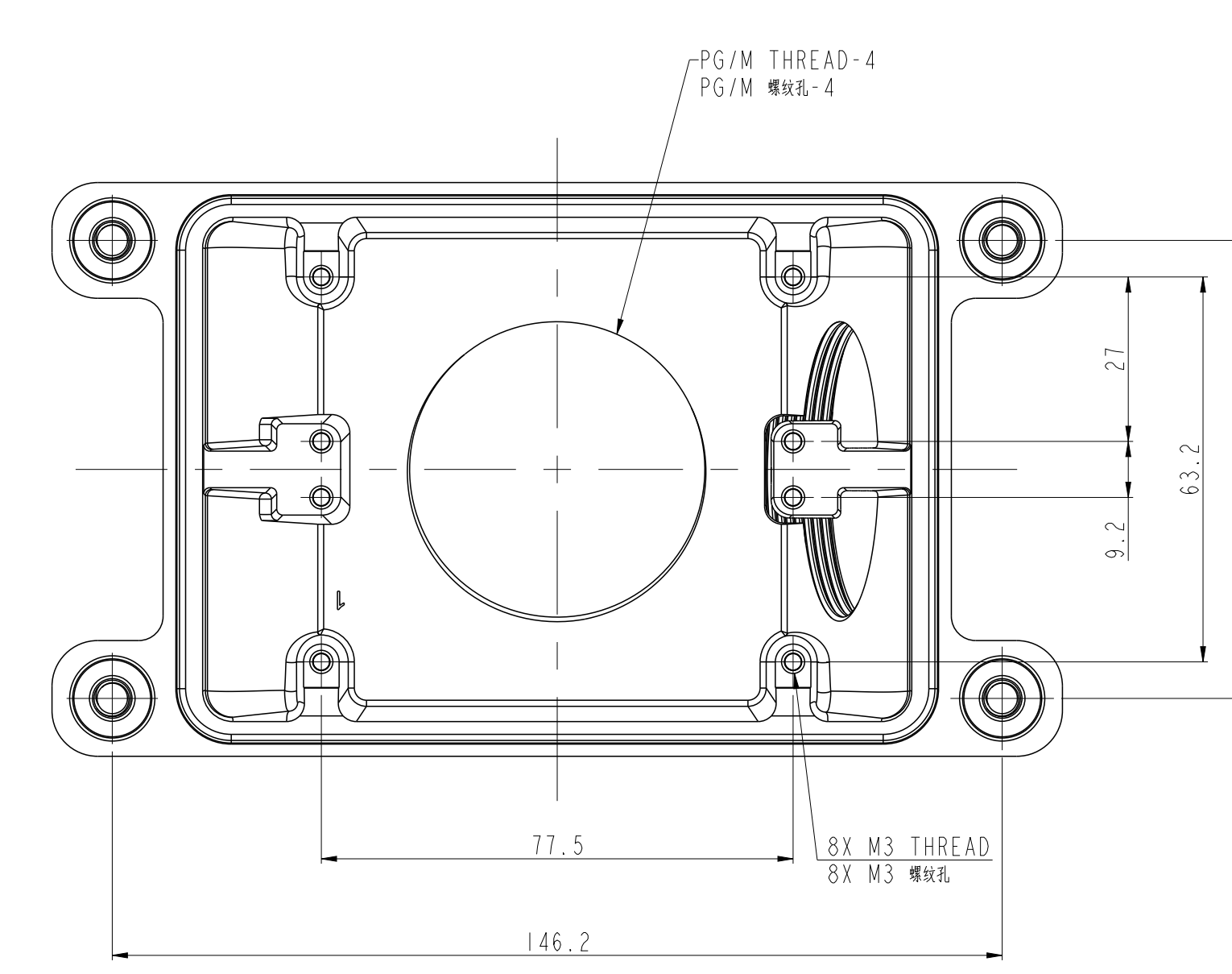
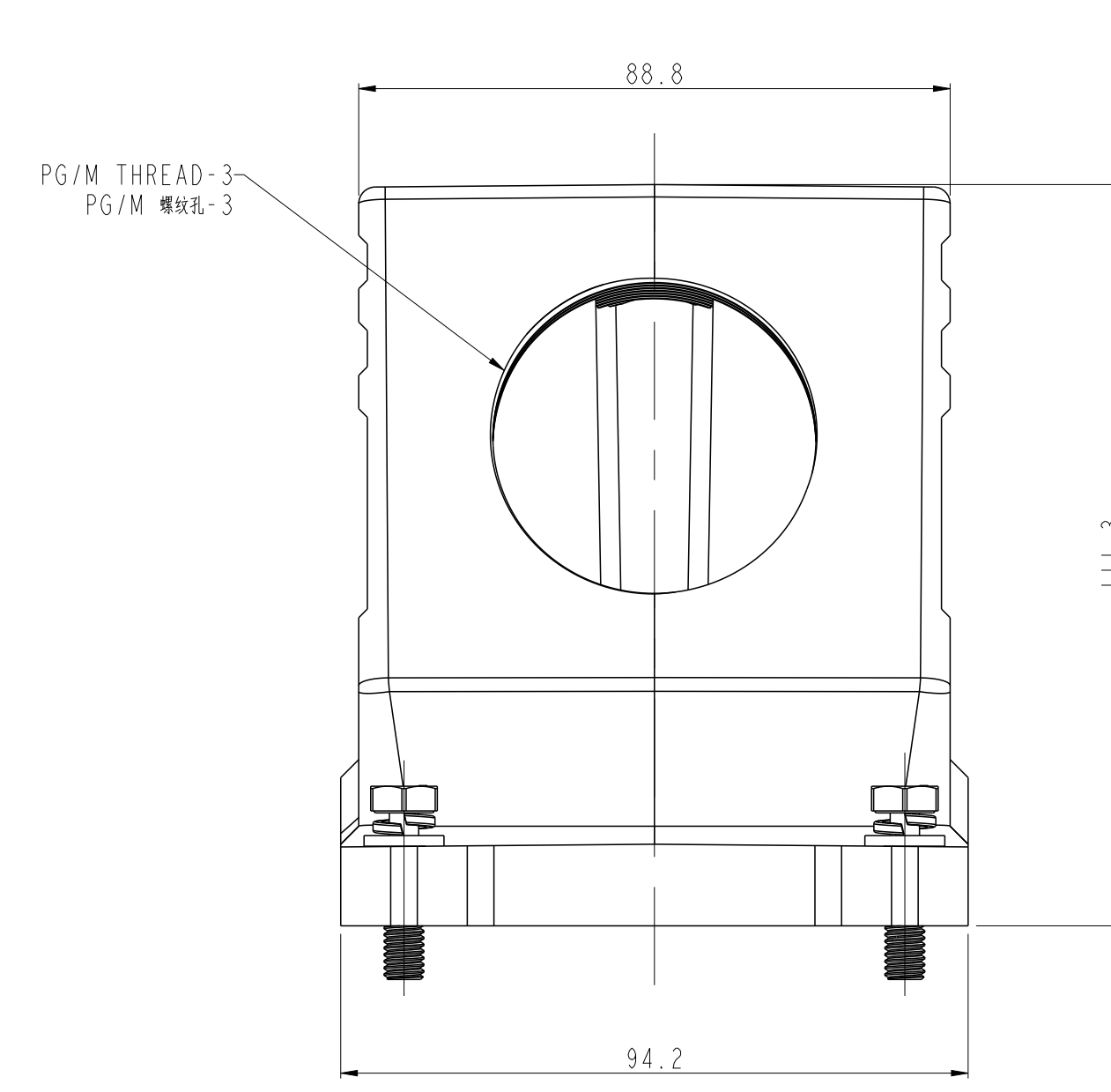
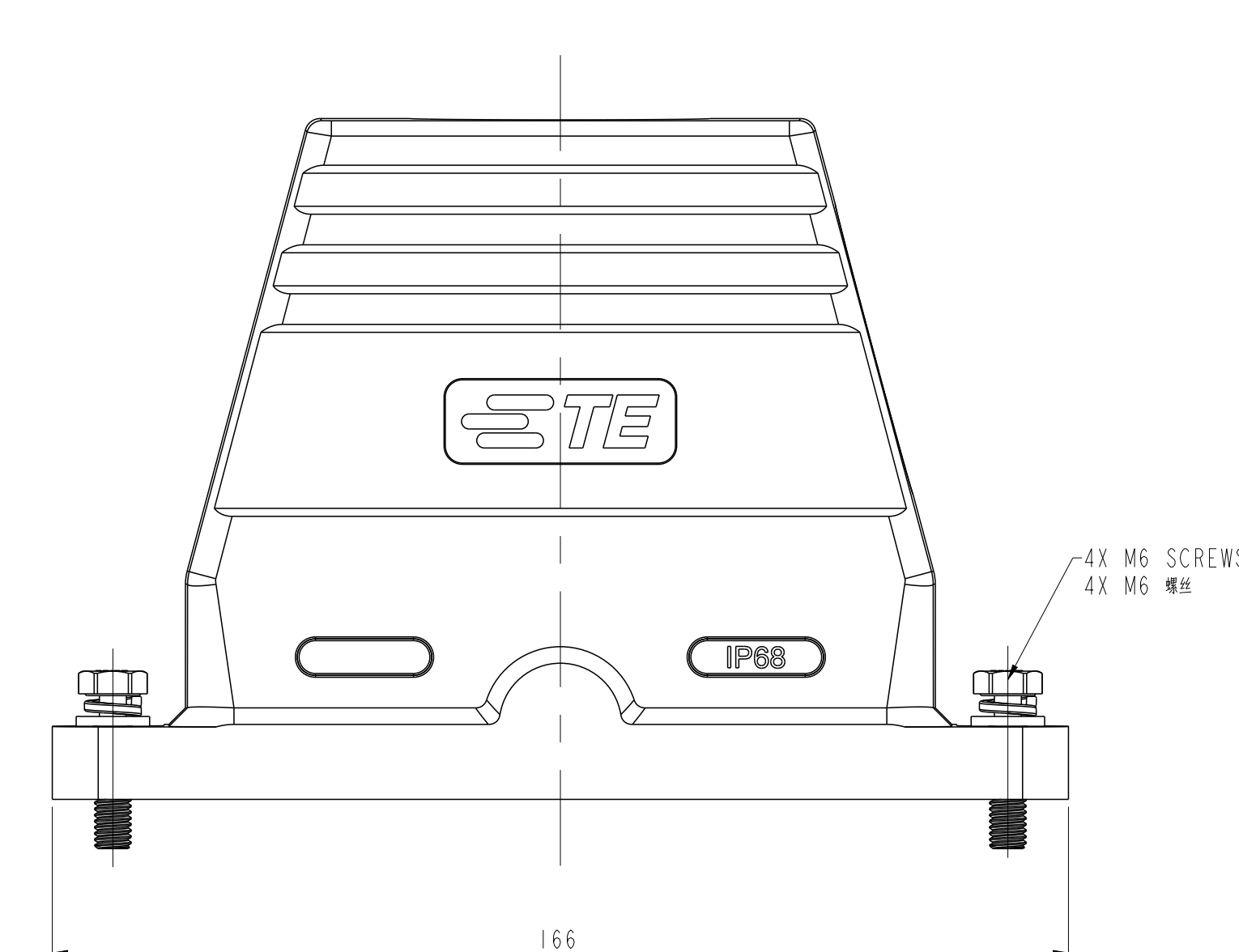


TYPE-2: STANDARD SIDE ENTRY
 AM-2: 000000

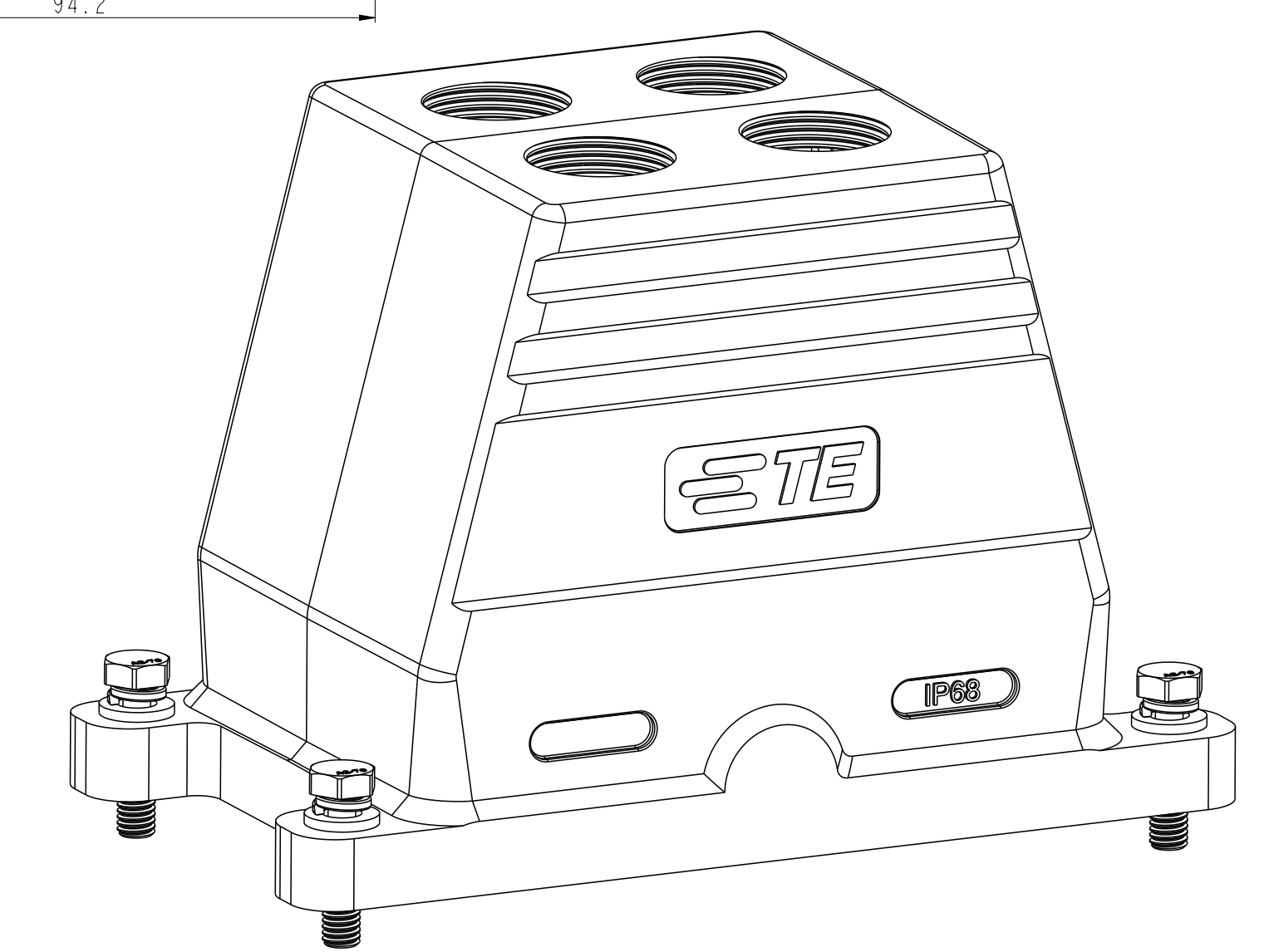
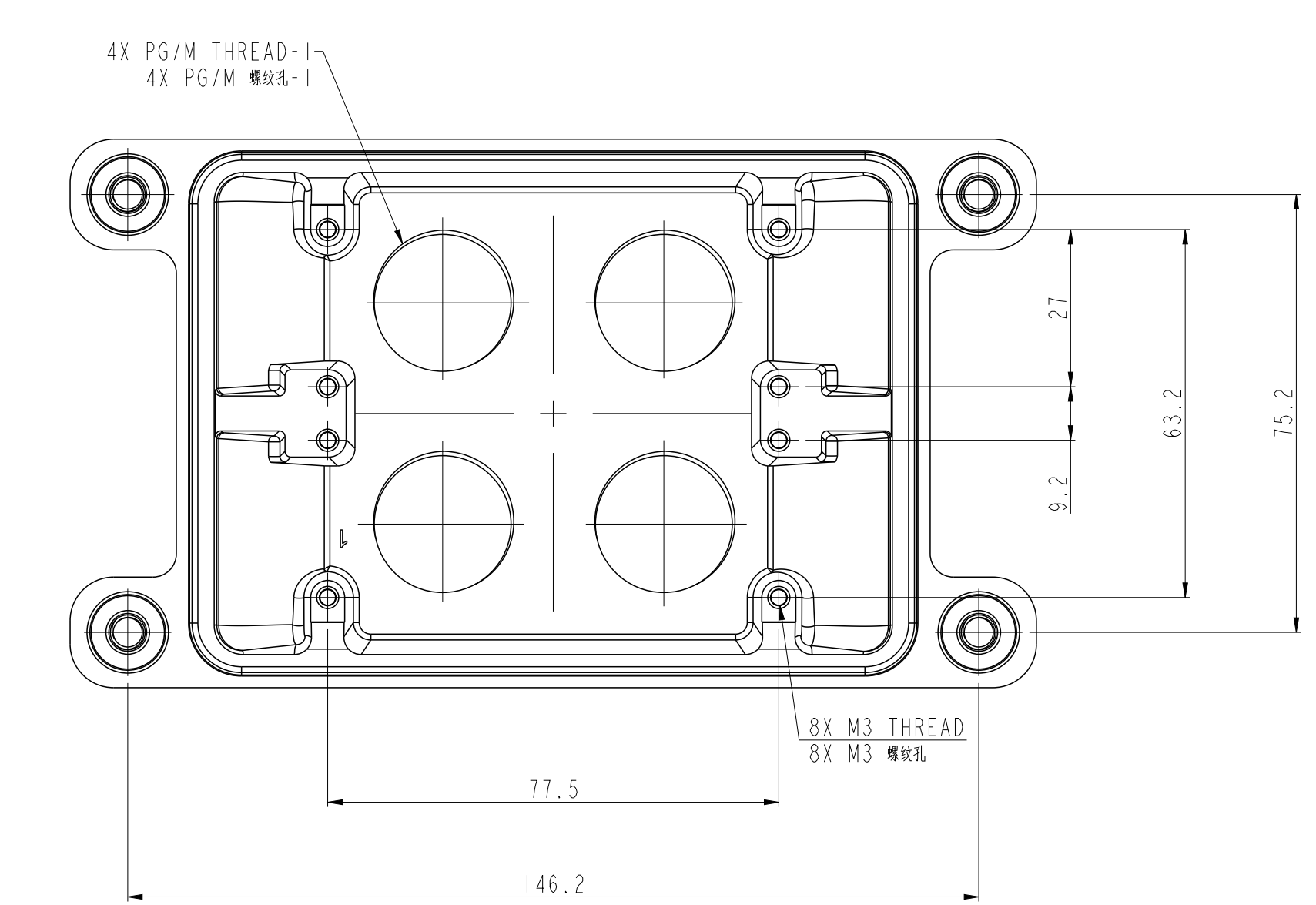
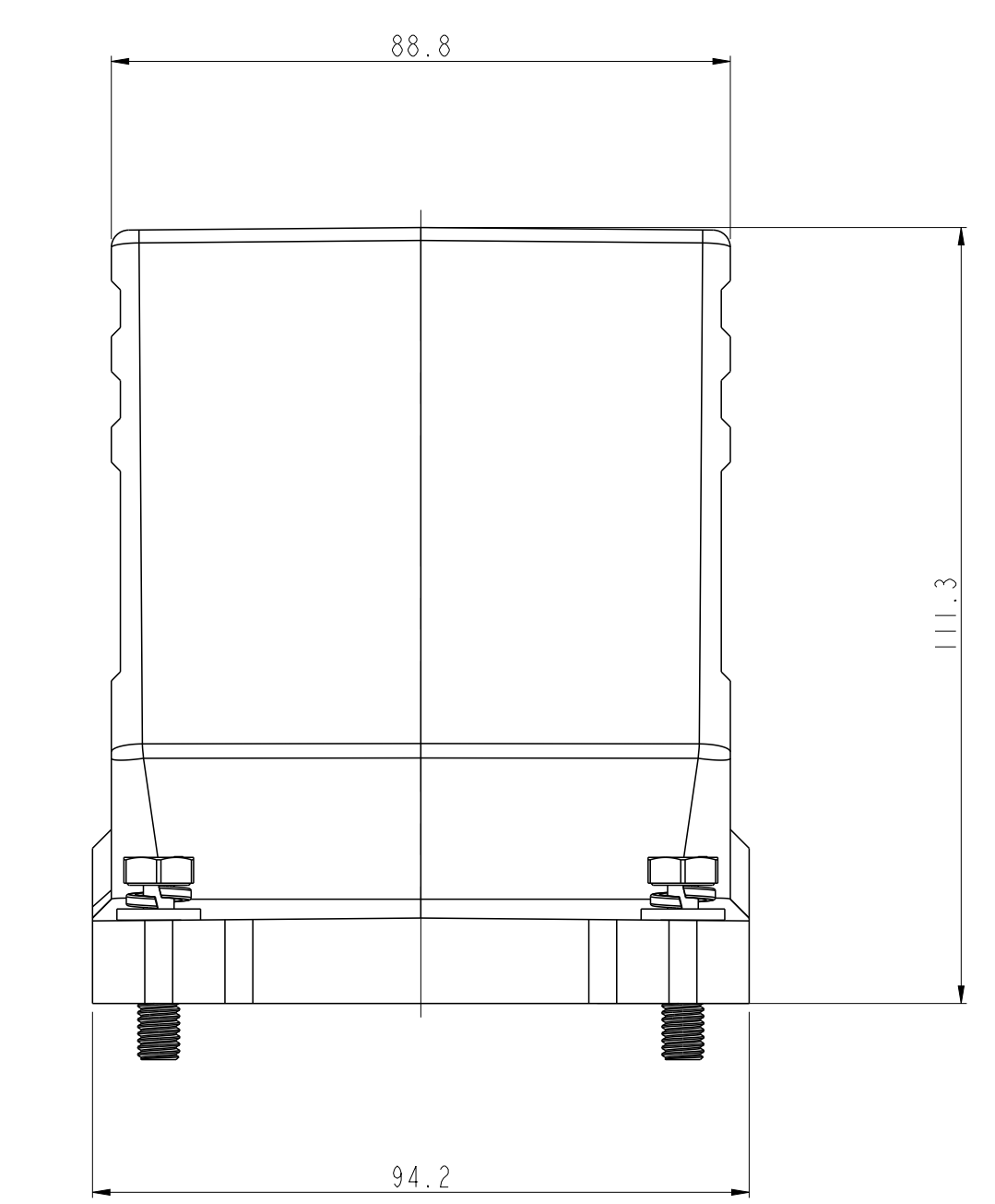
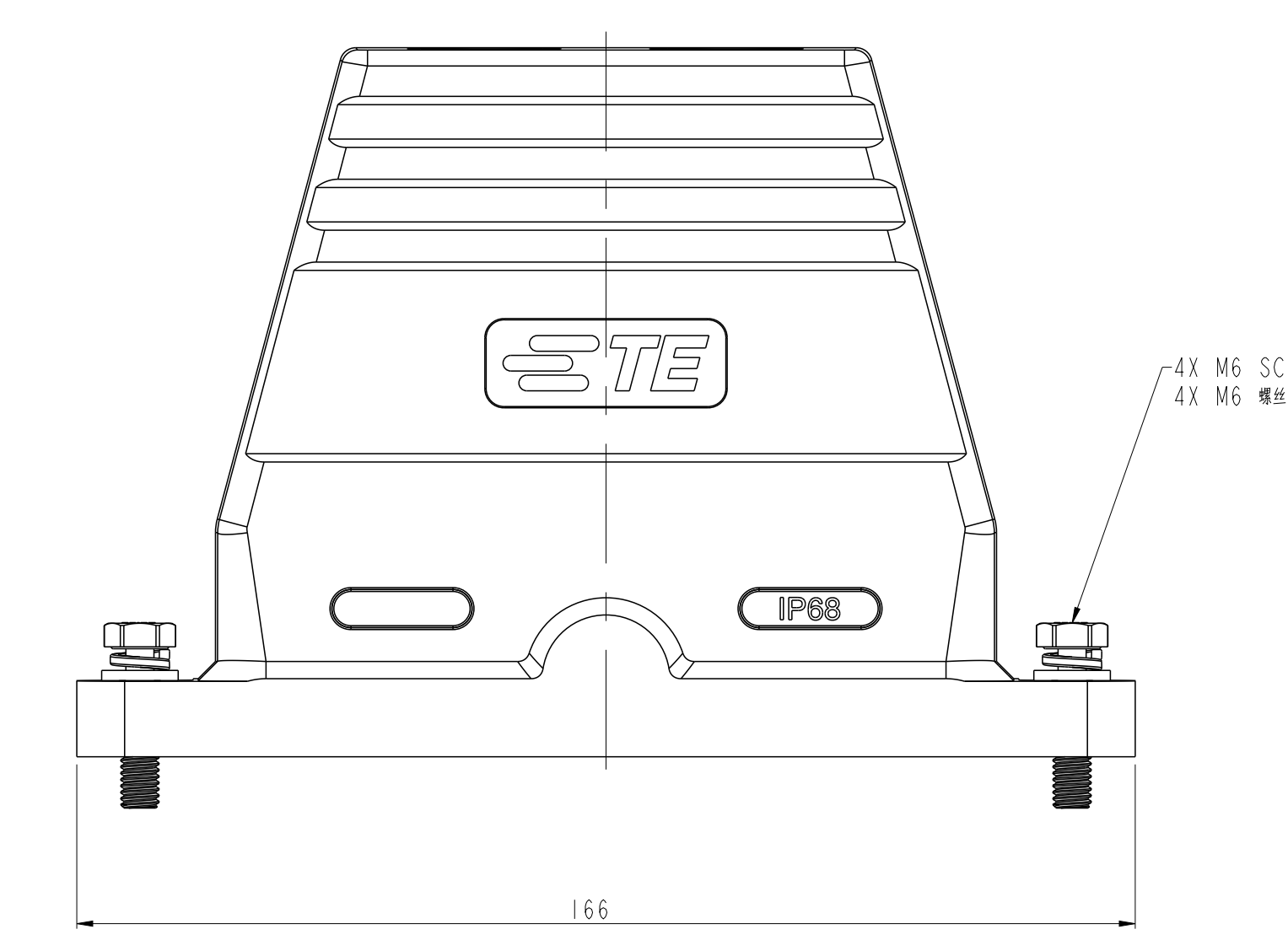


NOTES:
 1. TECHNICAL CHARACTERISTICS:
 HOOD MATERIAL: DIE CAST ALUMINIUM ALLOY
 SURFACE: POWDER COATED
 DEGREE OF PROTECTION: IP68 (MATED)
 DIM:
 1. 000000
 2. 000000
 3. 000000
 4. 000000

TYPE-3: STANDARD SIDE AND TOP ENTRY
 AM-3: 000000



TYPE-4: TOP ENTRY (FOUR HOLES)
 AM-4: 00 (146)



THIS DRAWING IS A CONTROLLED DOCUMENT.		DATE: 26JUL2016	BY: QIANG, YUAN	APPD: 26JUL2016	NAME: H32BPR-TGH-4S-PG/M
DIMENSIONS: (mm)		DATE: 26JUL2016	BY: XUE, ZENG	APPD: 26JUL2016	NAME: H32BPR-TGH-4S-PG/M
DRAWING: (mm)		DATE: 26JUL2016	BY: CHRIS, WANG	APPD: 26JUL2016	NAME: H32BPR-TGH-4S-PG/M
MATERIAL: (mm)		DATE: 26JUL2016	BY: CHRIS, WANG	APPD: 26JUL2016	NAME: H32BPR-TGH-4S-PG/M
FINISH: (mm)		DATE: 26JUL2016	BY: CHRIS, WANG	APPD: 26JUL2016	NAME: H32BPR-TGH-4S-PG/M
CUSTOMER DRAWING		SCALE: 1:1	SHEET: 1 of 2	REV: A2	RESTRICTED TO

