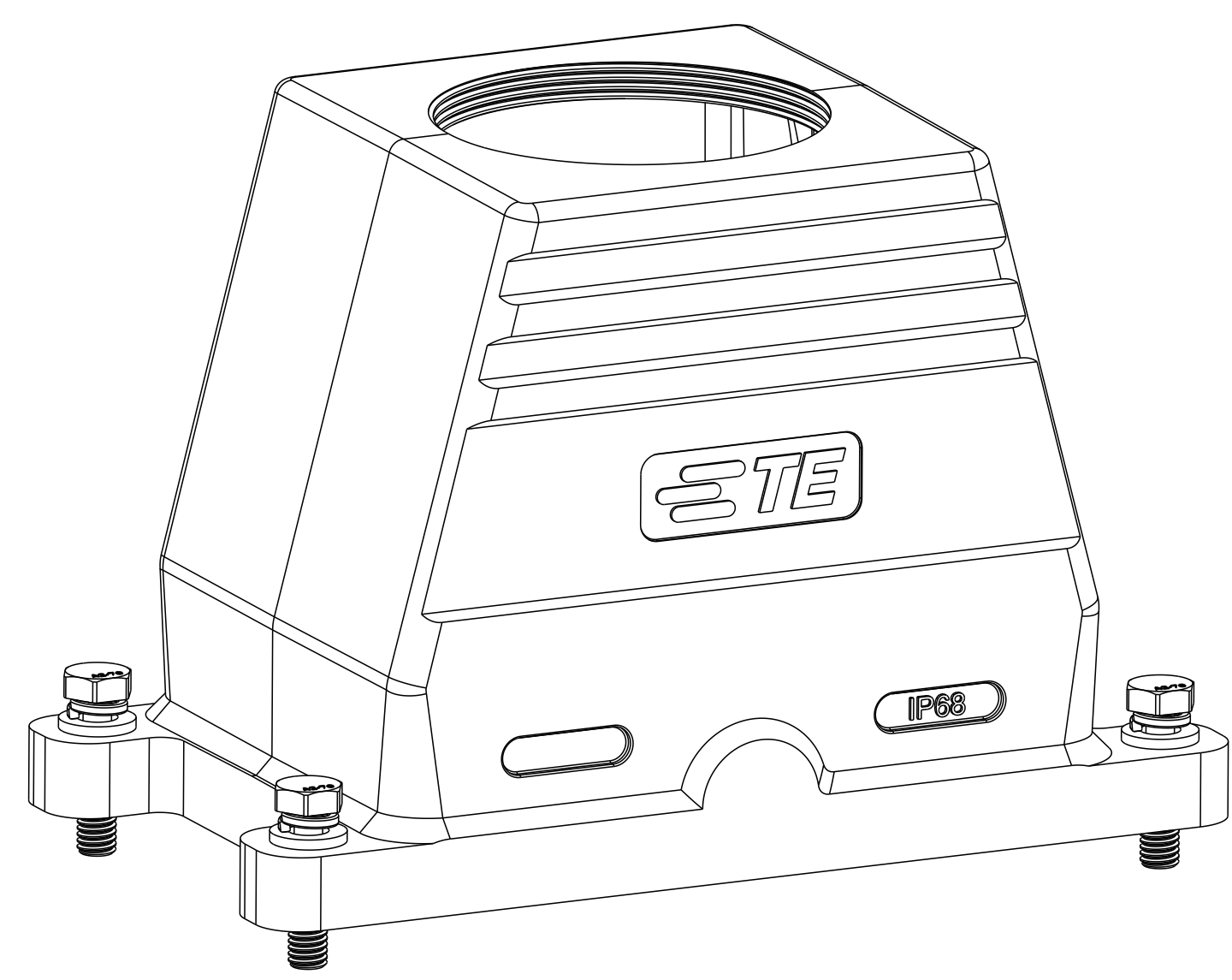
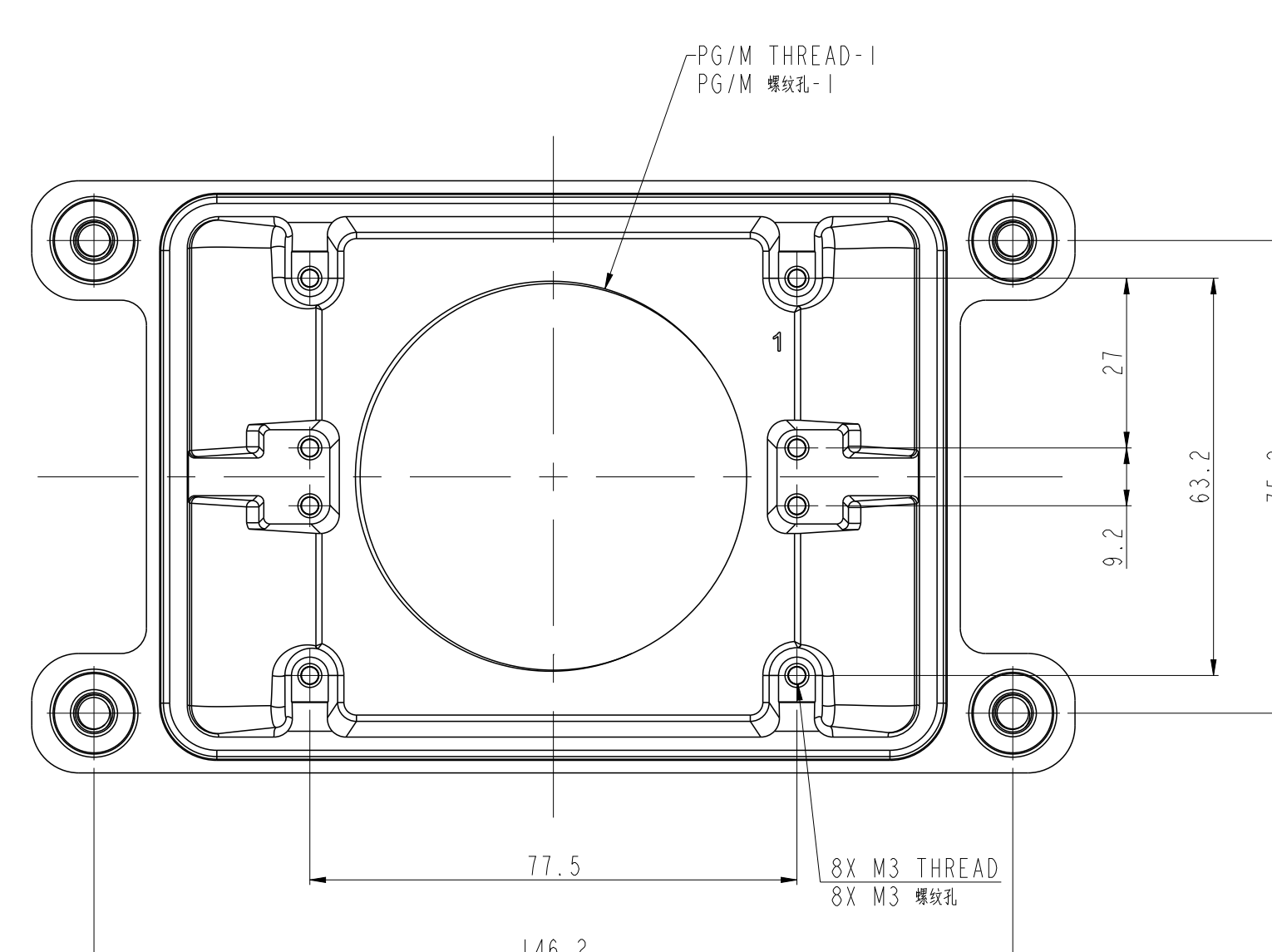
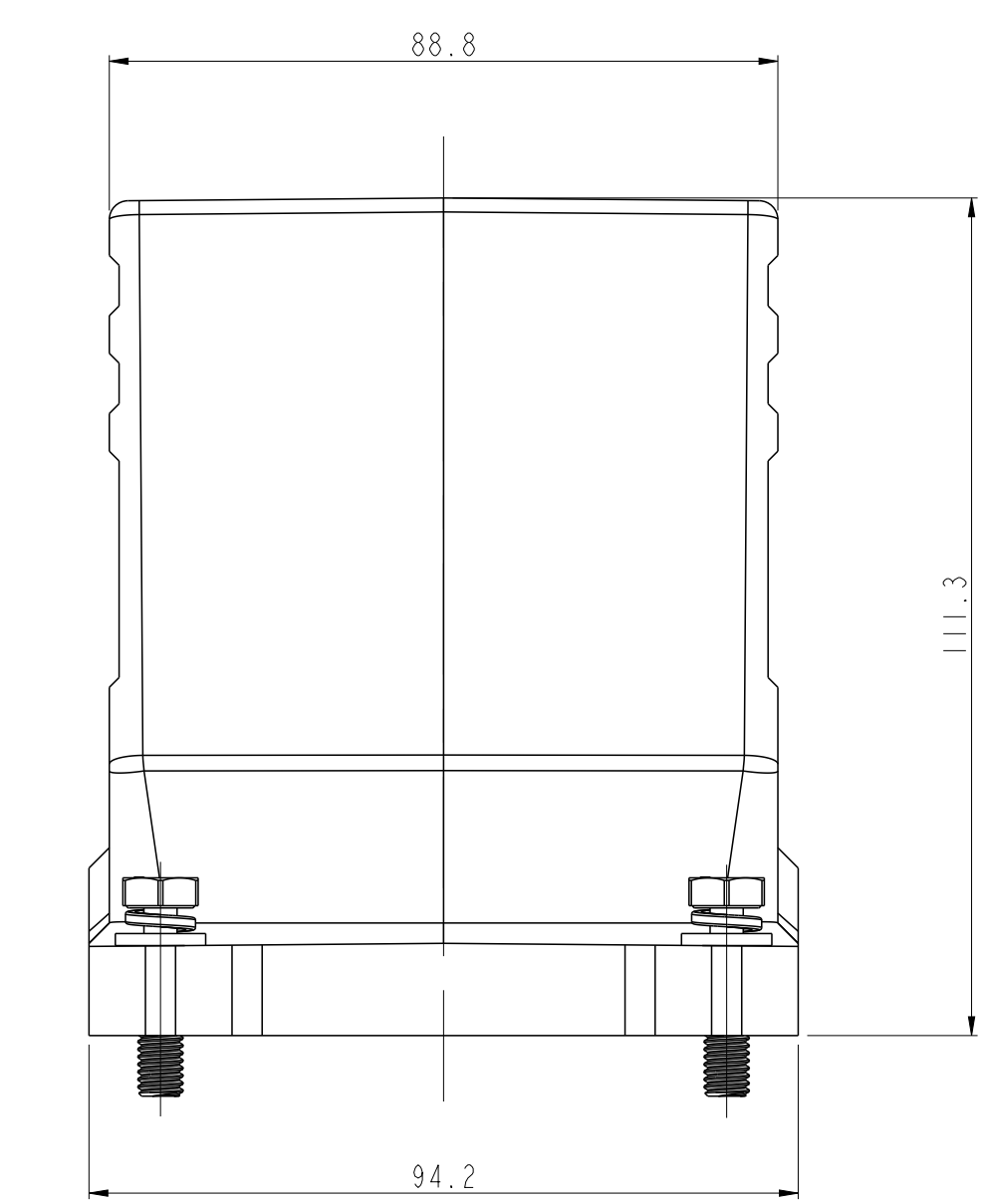
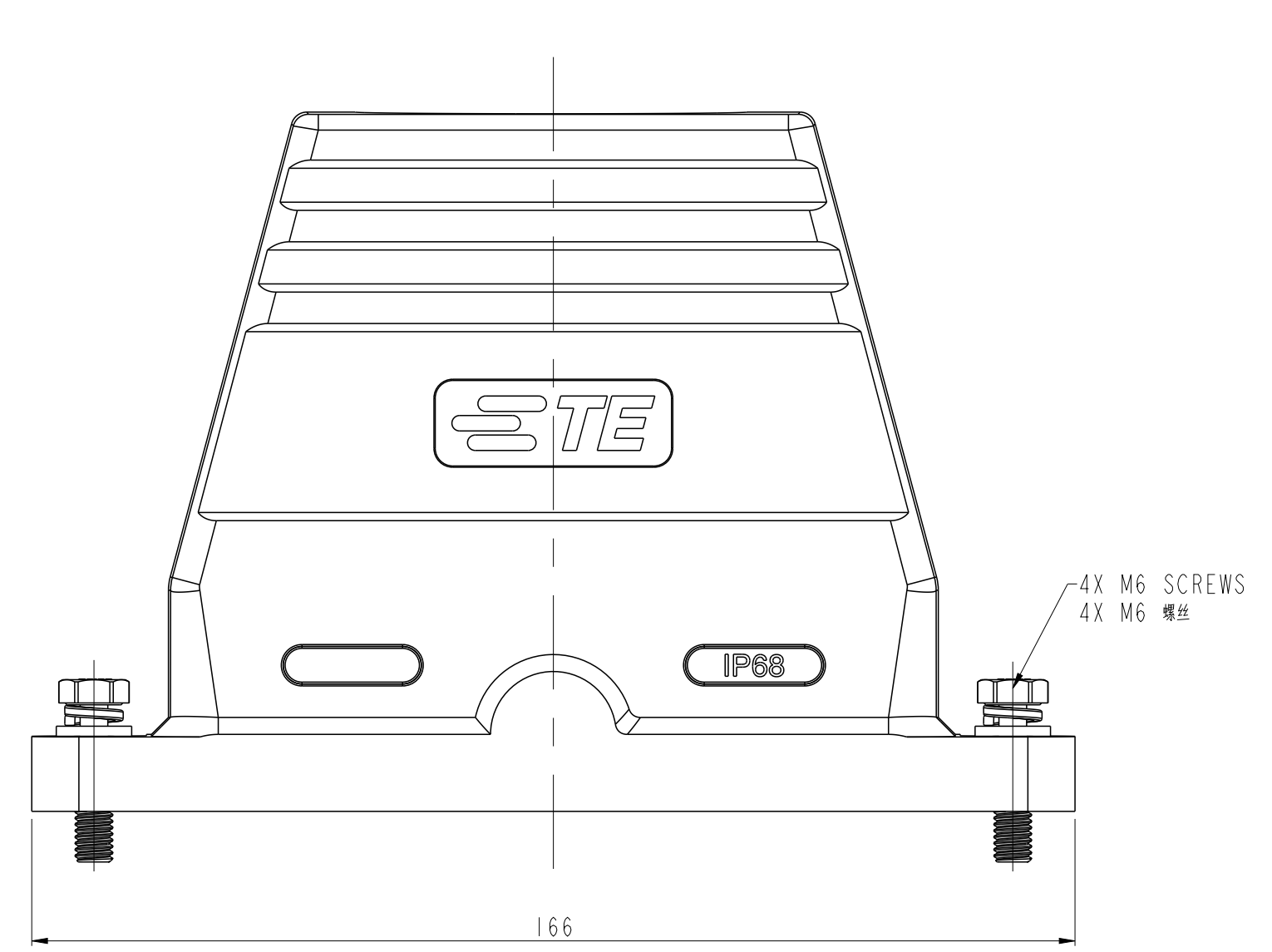
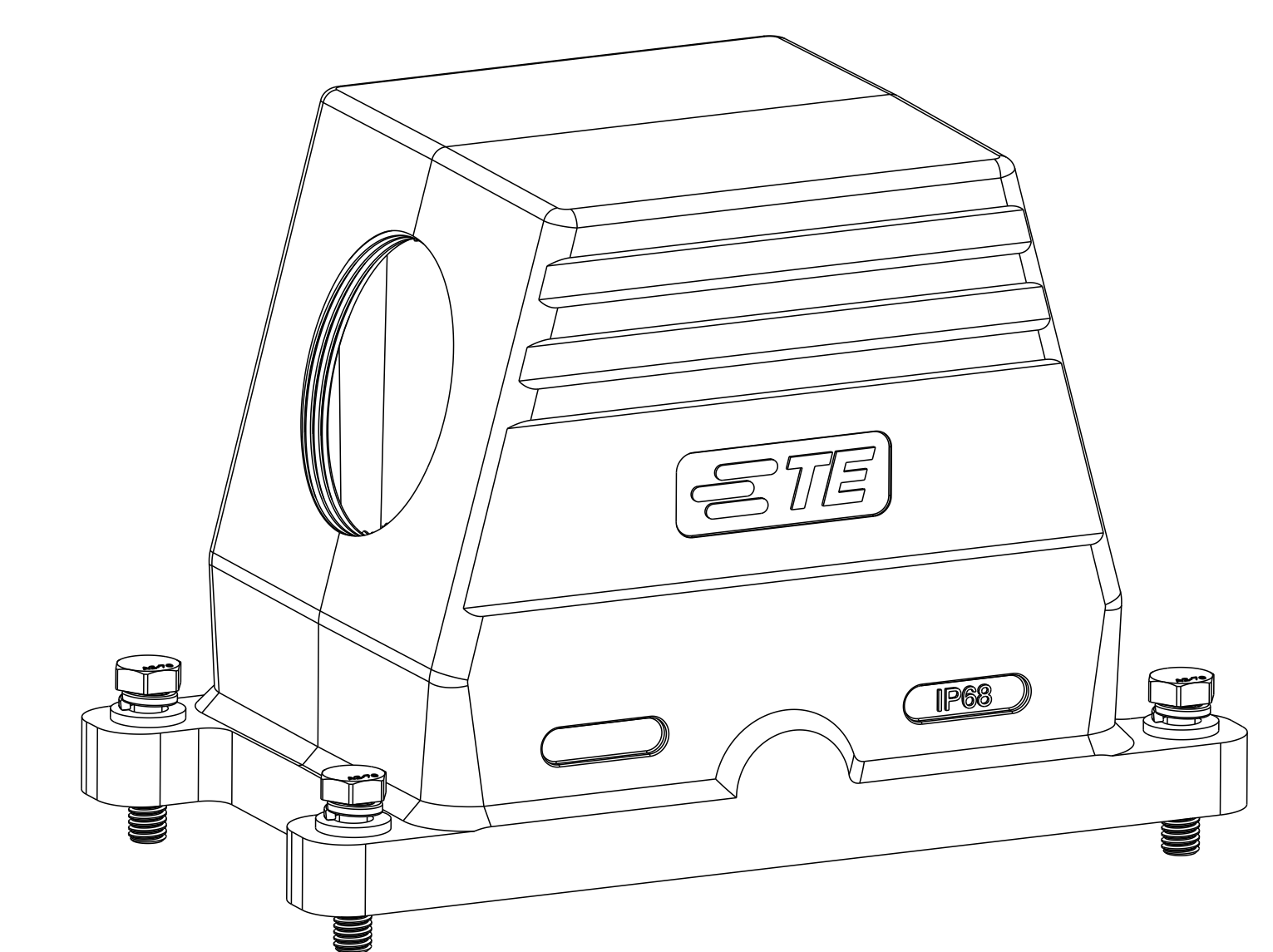
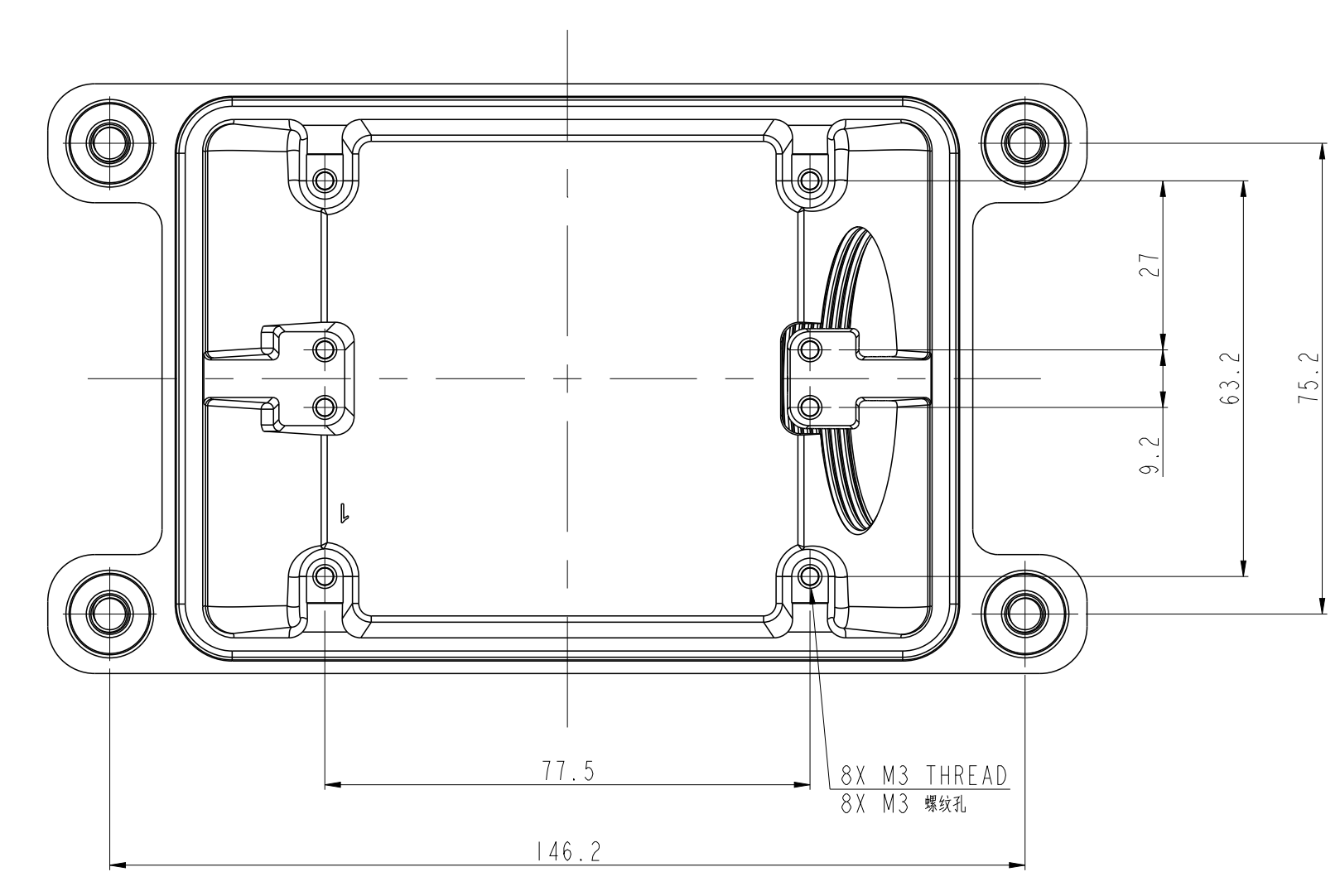
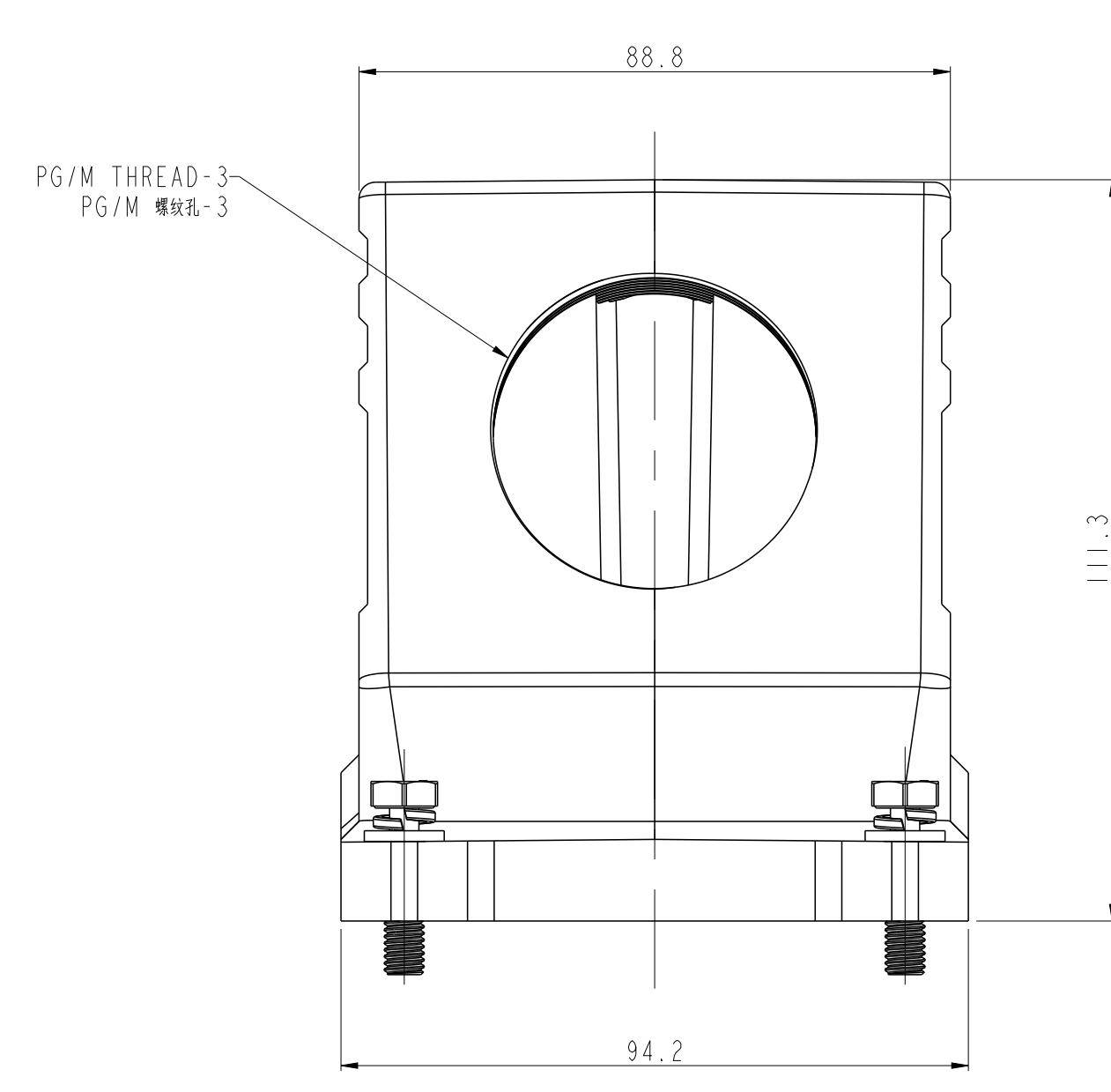
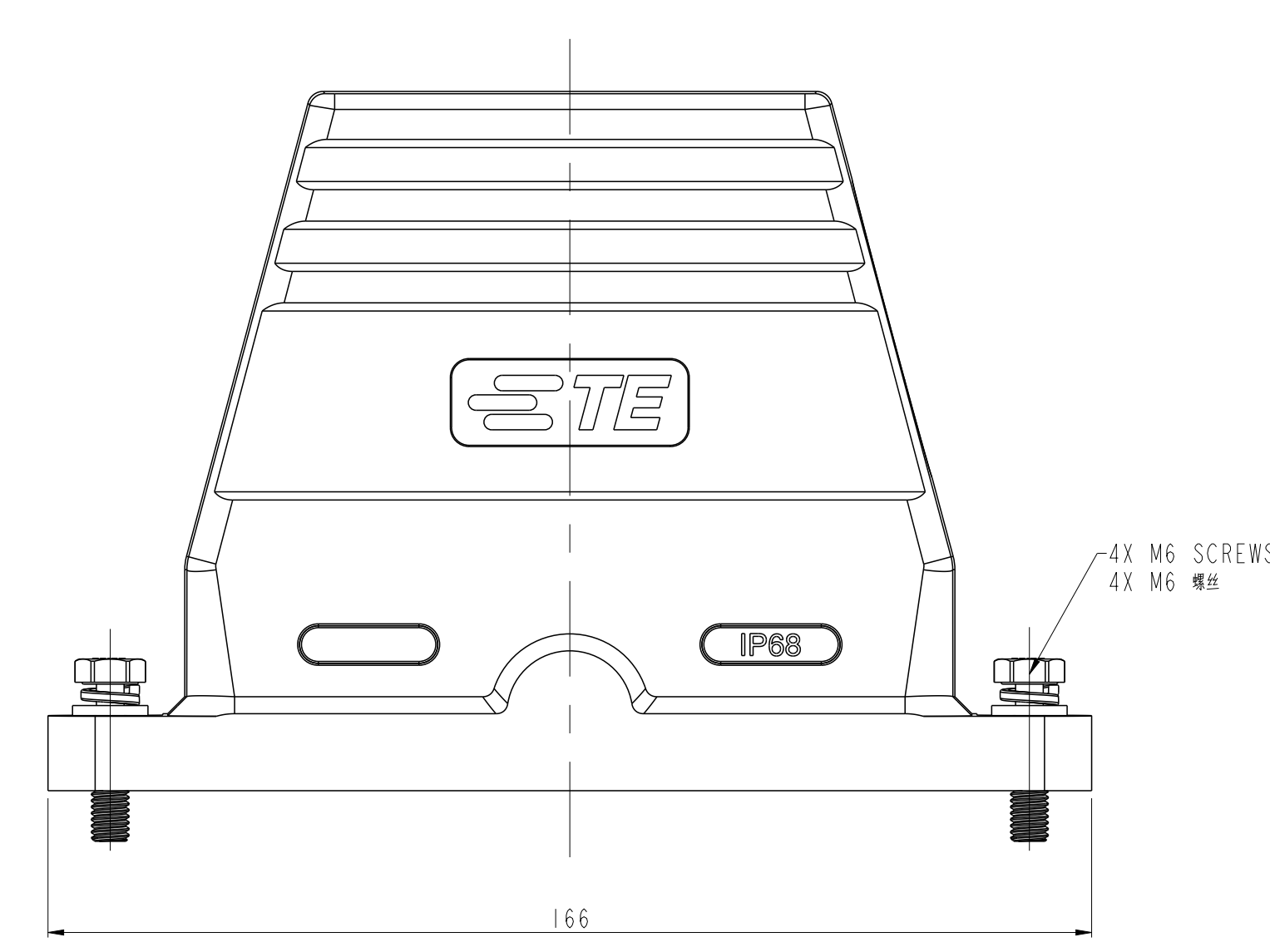


REVISIONS				
REV	DATE	BY	CHK	APPD
A	26JUL2016	QY	CW	
A1	15OCT2016	QY	CW	
A2	19MAR2019	CD	CW	

TYPE-1: STANDARD TOP ENTRY  
 AM-1: 00000

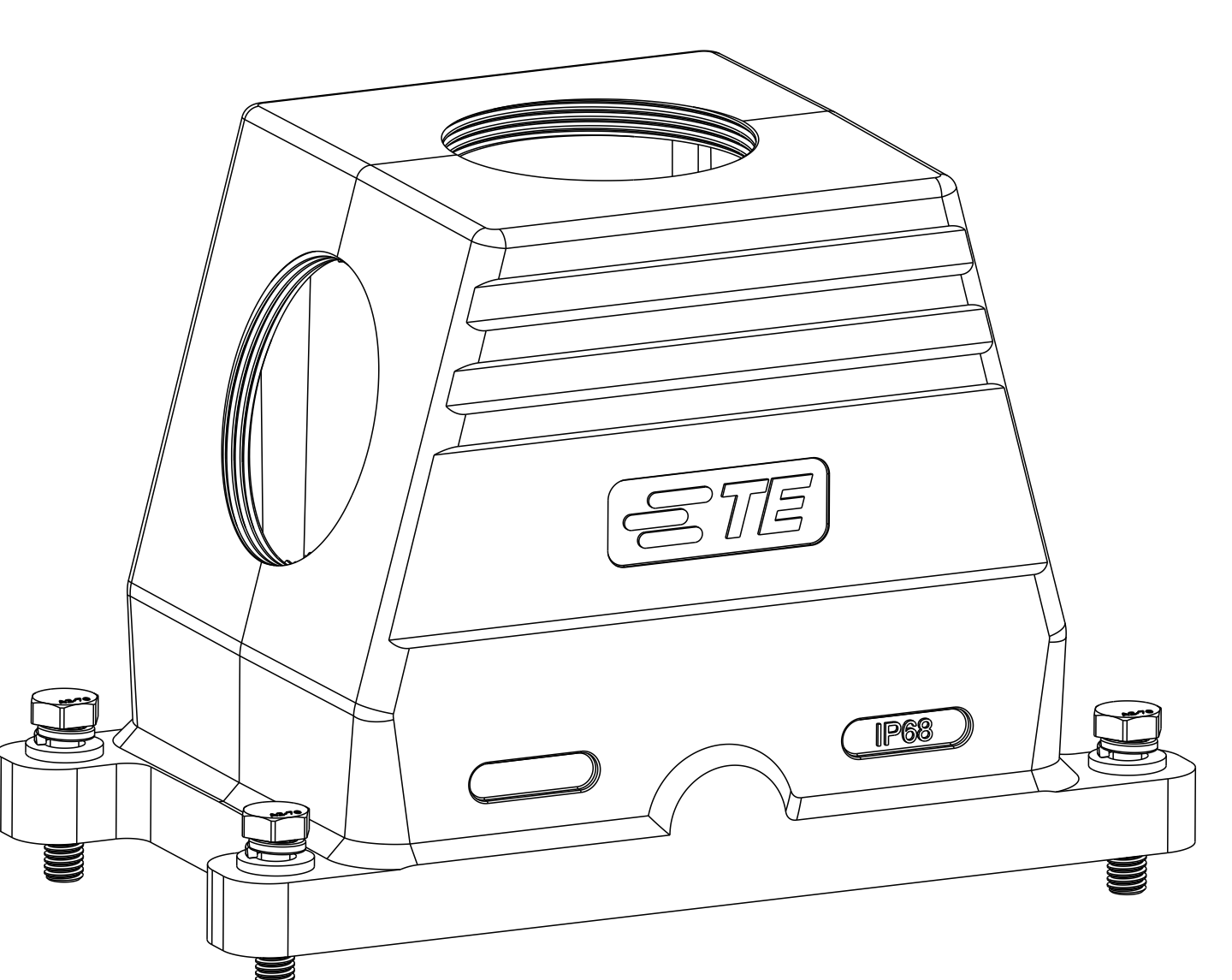
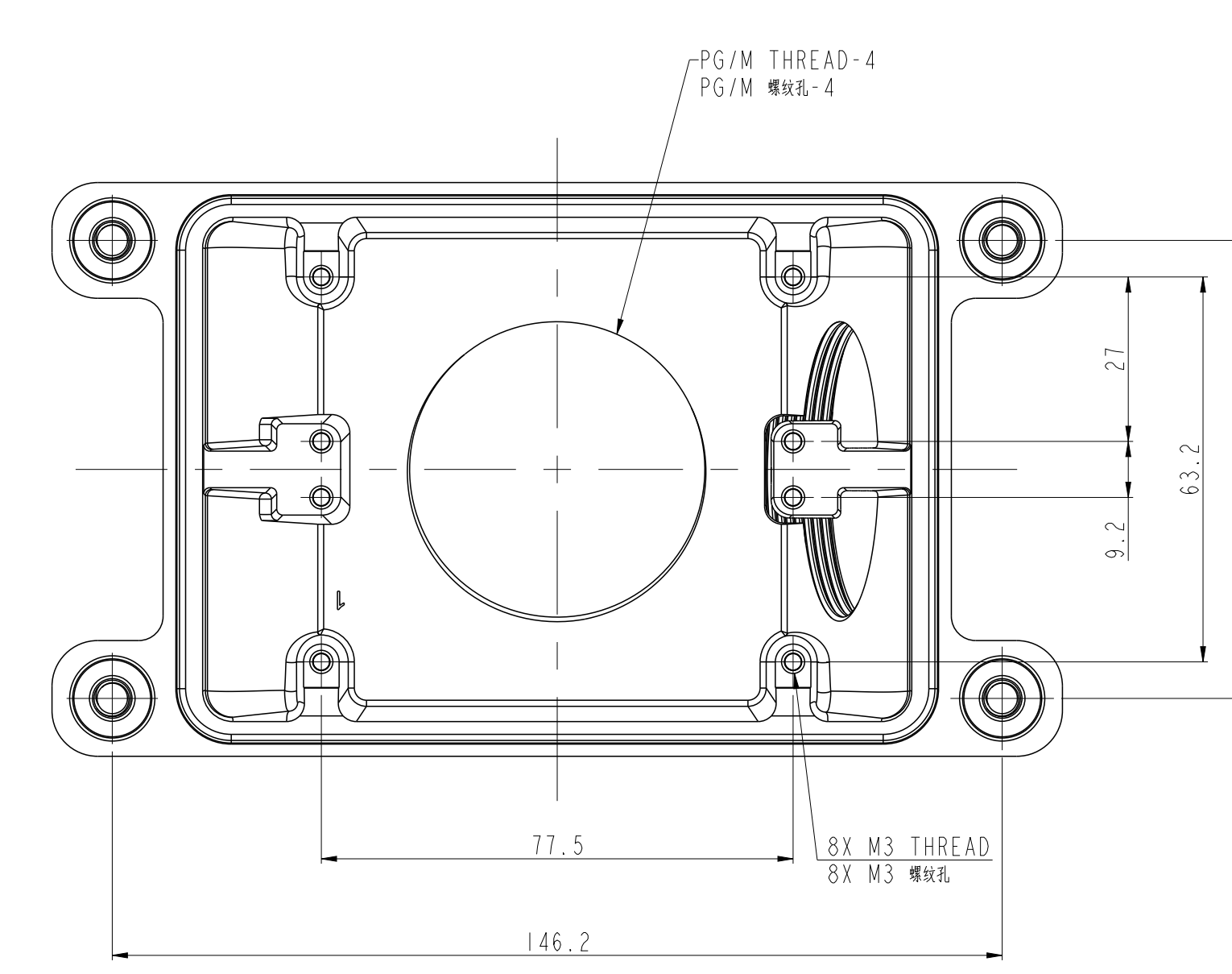
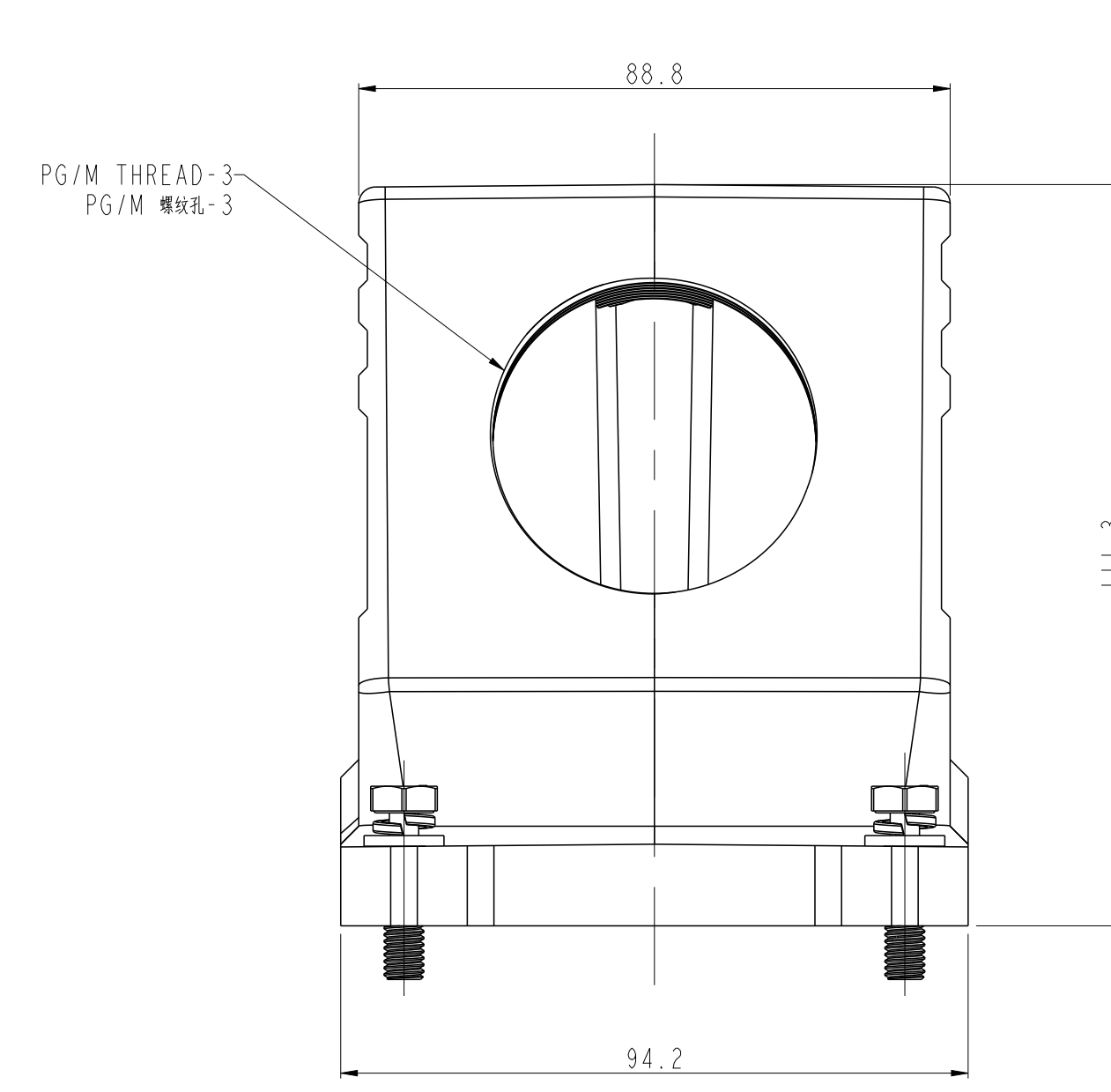
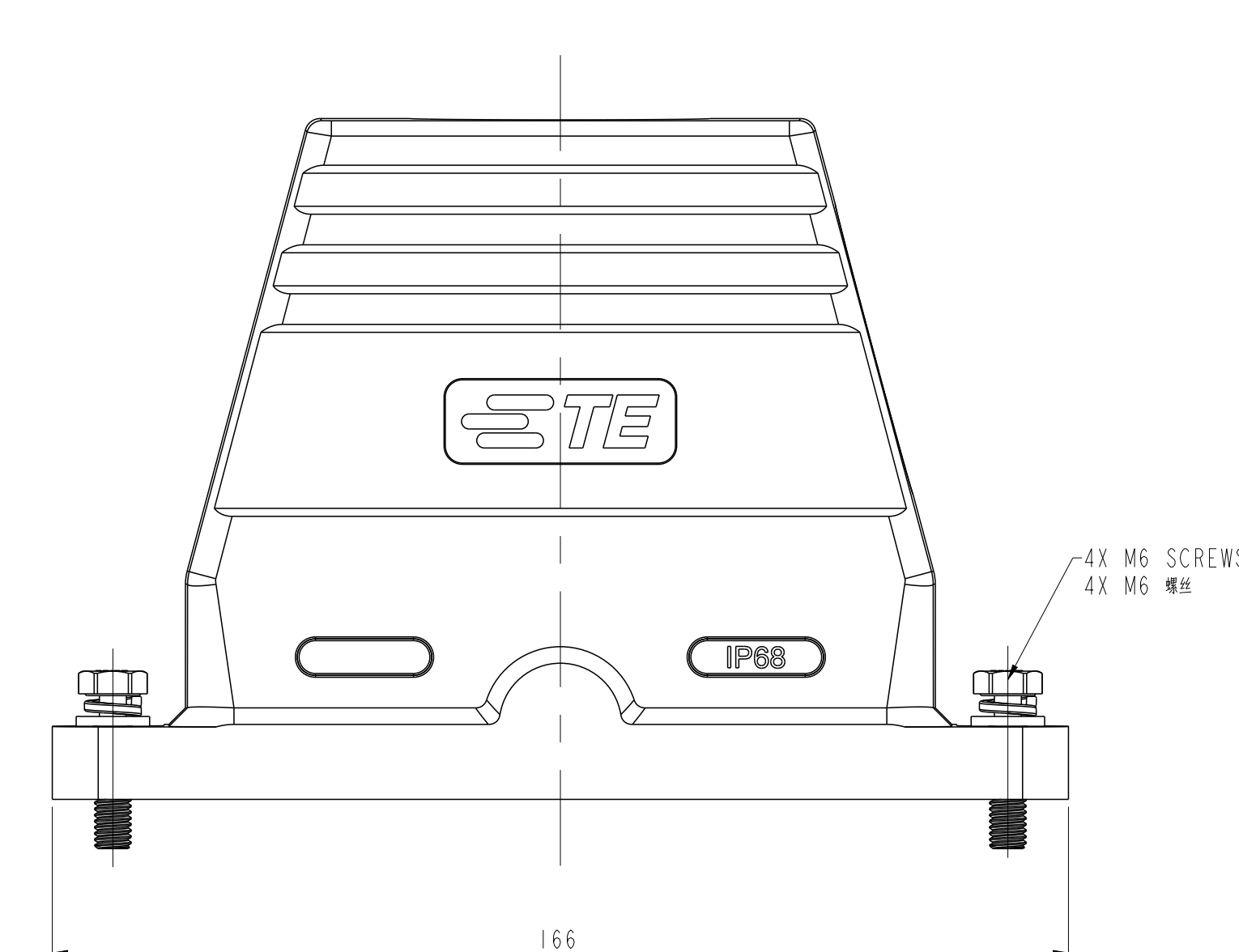


TYPE-2: STANDARD SIDE ENTRY  
 AM-2: 00000

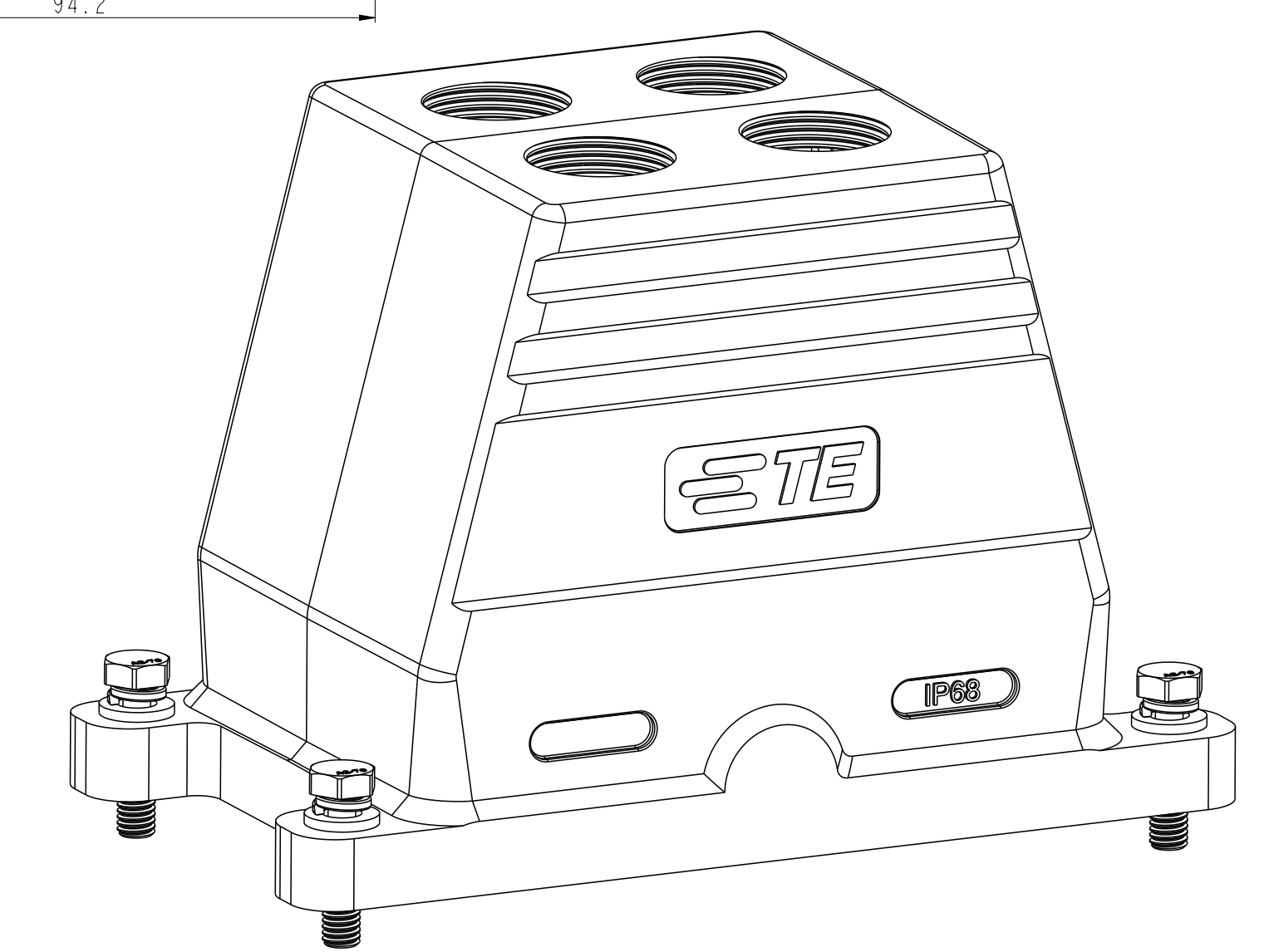
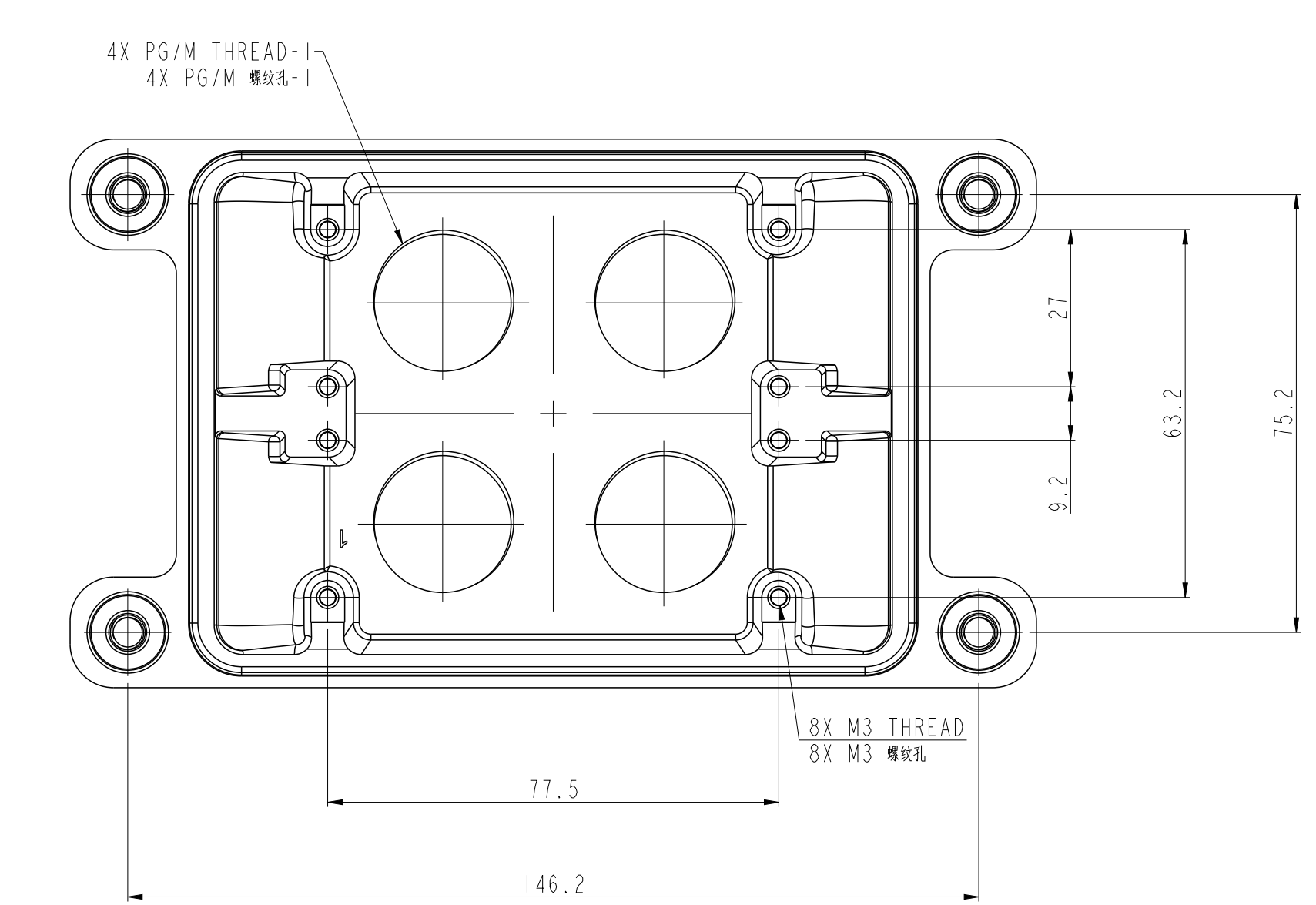
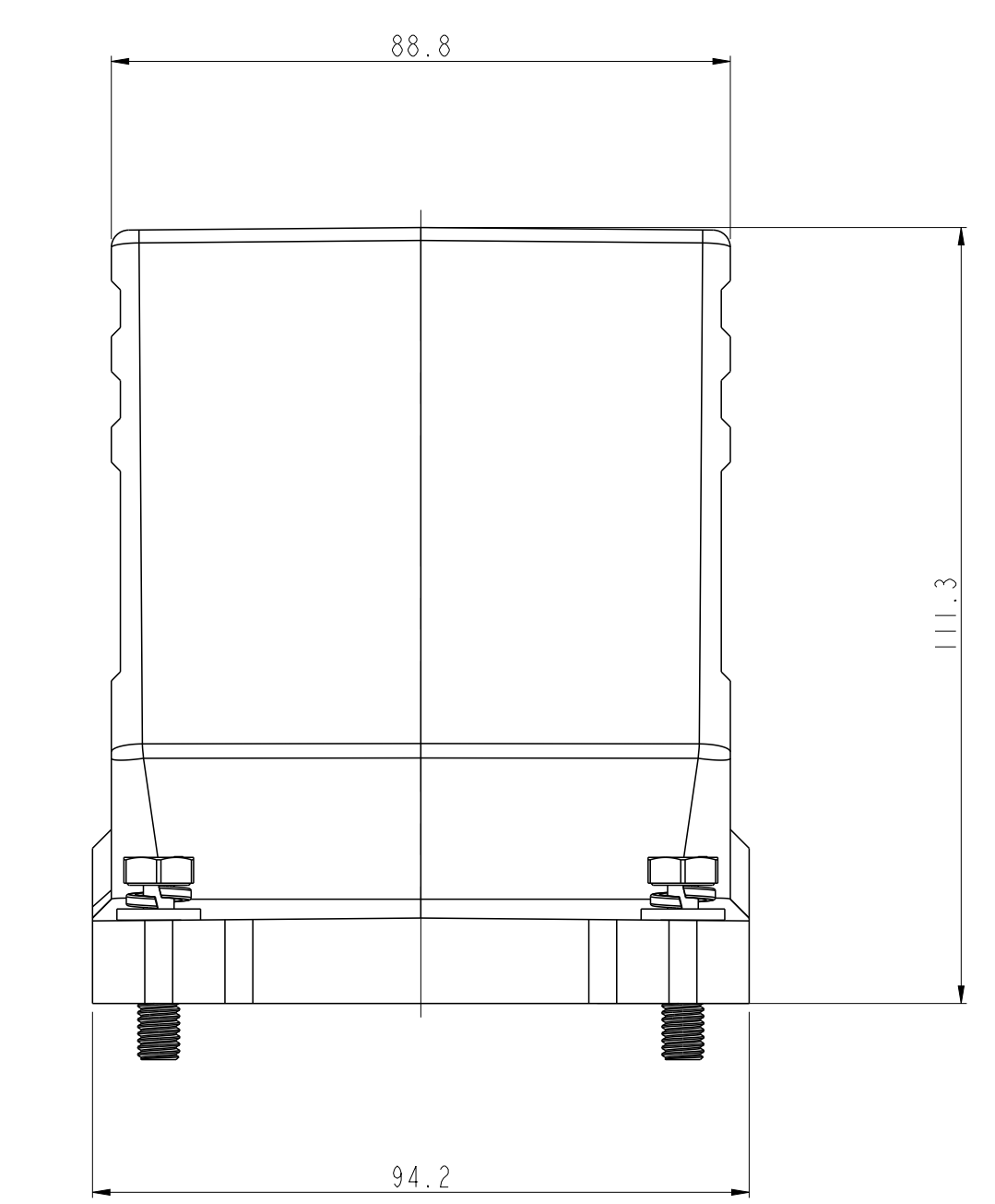
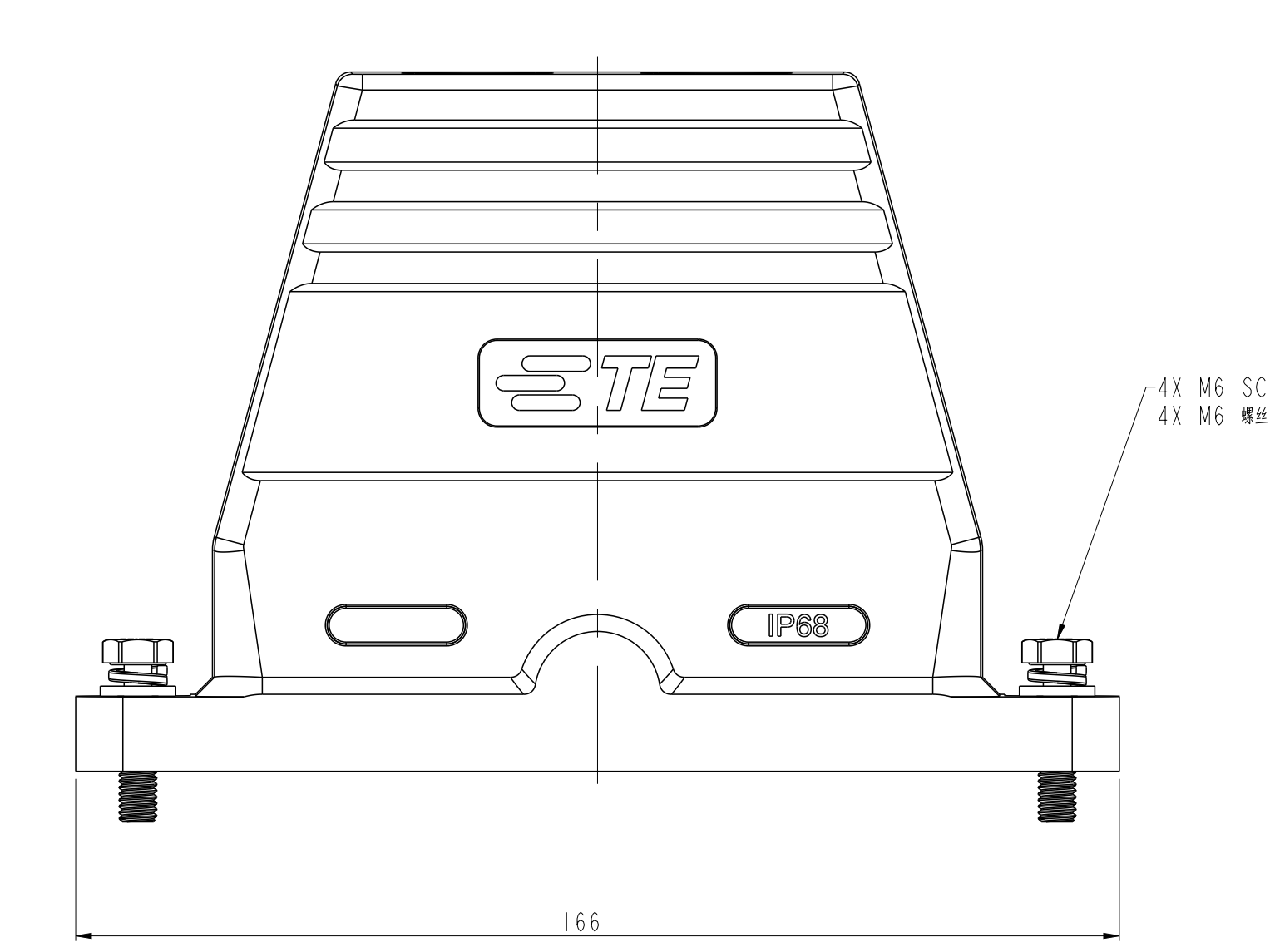


NOTES:  
 1. TECHNICAL CHARACTERISTICS:  
 HOOD MATERIAL: DIE CAST ALUMINIUM ALLOY  
 SURFACE: POWDER COATED  
 DEGREE OF PROTECTION: IP68 (MATED)  
 DIM:  
 1. 00000  
 2. 00000  
 3. 00000  
 4. 00000

TYPE-3: STANDARD SIDE AND TOP ENTRY  
 AM-3: 00000



TYPE-4: TOP ENTRY (FOUR HOLES)  
 AM-4: 146



THIS DRAWING IS A CONTROLLED DOCUMENT.		DATE: 26JUL2016	BY: QIANG, YUAN	CHK: XUE, ZENG	APPD: CHRIS, WANG	NAME: H32BPR-TGH-4S-PG/M	TE Connectivity
DIMENSIONS:	UNIT: DIMENSIONS UNLESS OTHERWISE SPECIFIED.	0: PLC	1: PLC	2: PLC	3: PLC	4: PLC	ANGLE:
MATERIAL:	FINISH:	WEIGHT:	SCALE: 1:1	SHEET: 1	OF: 2	REV: A2	RESTRICTED TO:
CUSTOMER DRAWING		APPLICATION SPEC: 114-137014		CASE CODE: T19263201XX000		SCALE: 1:1	

Table with 4 columns: P, LTM, DESCRIPTION, DATE, DWN, APPD. Row 1: SEE SHEET 1

NOTES: SEE SHEET 1

Main table with columns: Part Number, Part Description, PG/M Thread-1, PG/M Thread-2, PG/M Thread-3, PG/M Thread-4, Type. Contains multiple rows of technical specifications for H32BPR components.

Technical drawing footer including dimensions, materials, finish, weight, and customer drawing information. Includes STC logo and TE Connectivity branding.