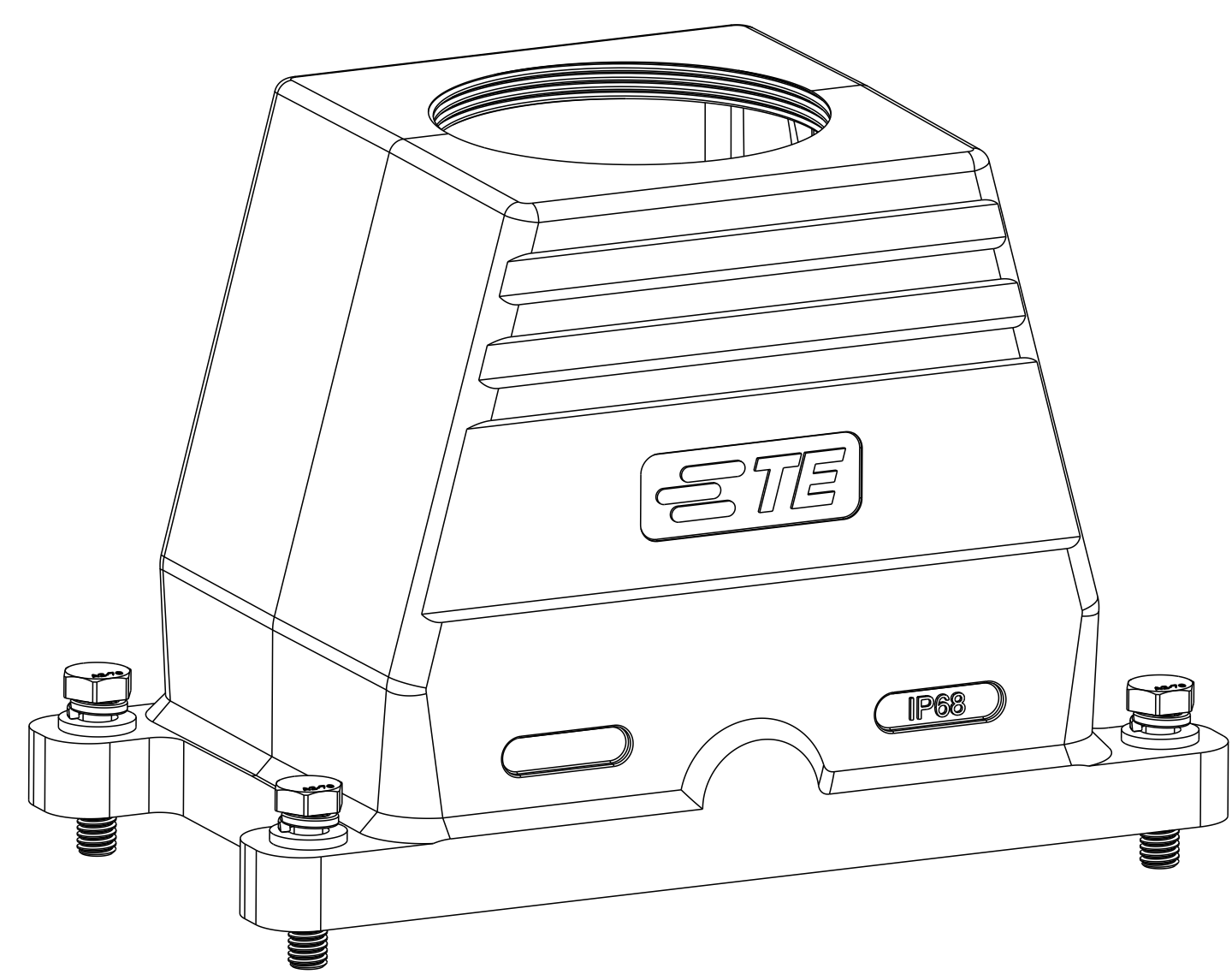
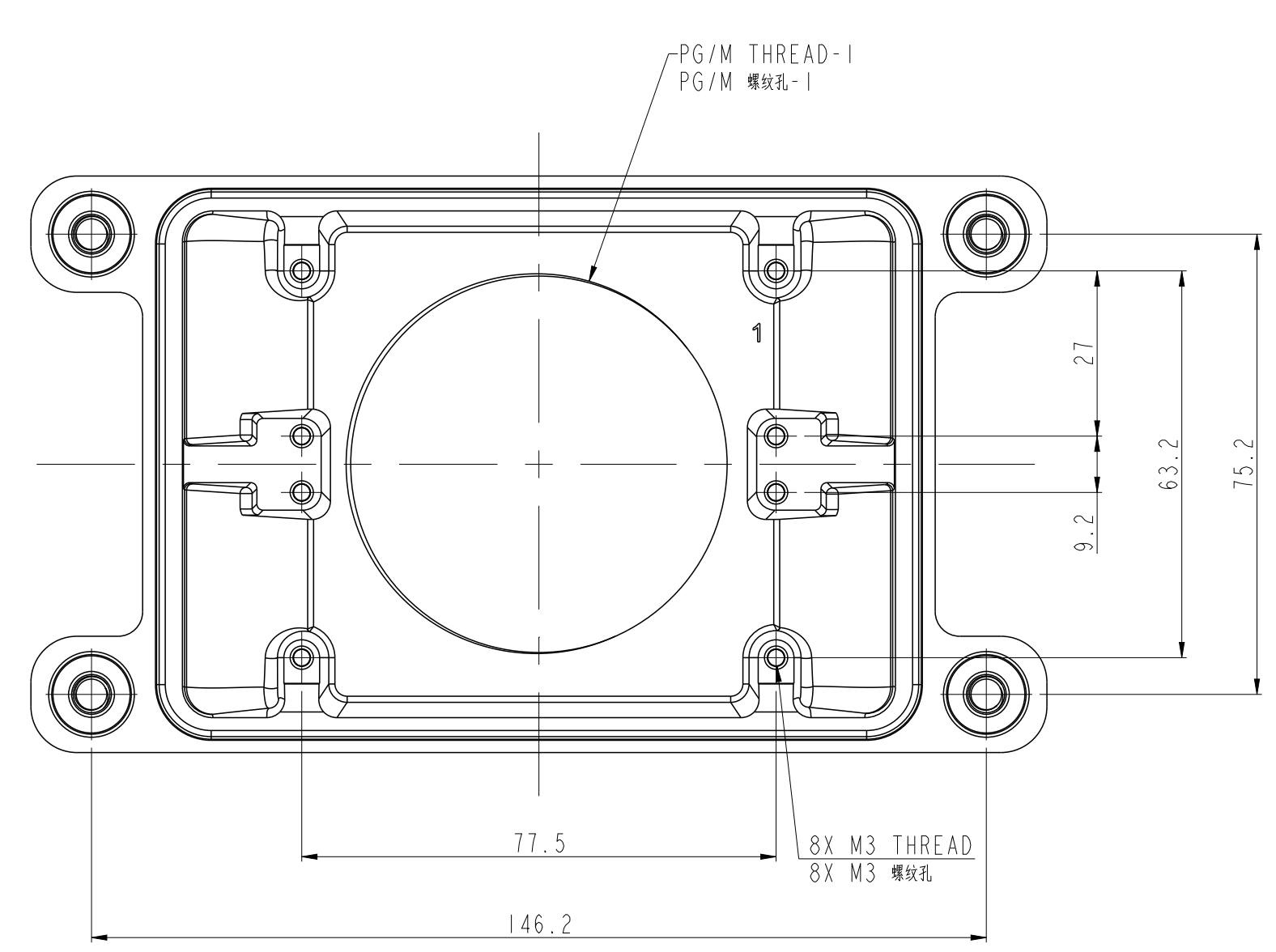
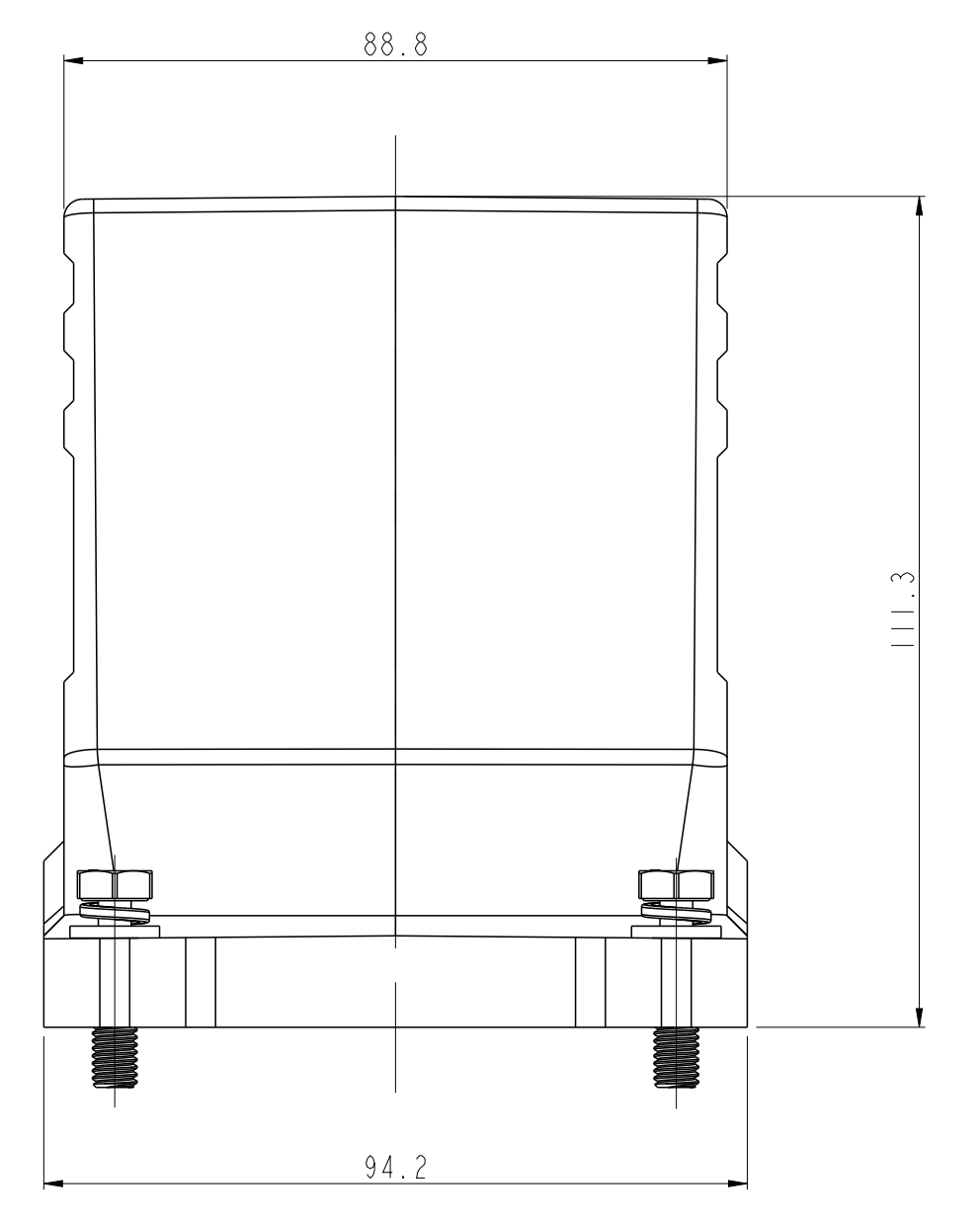
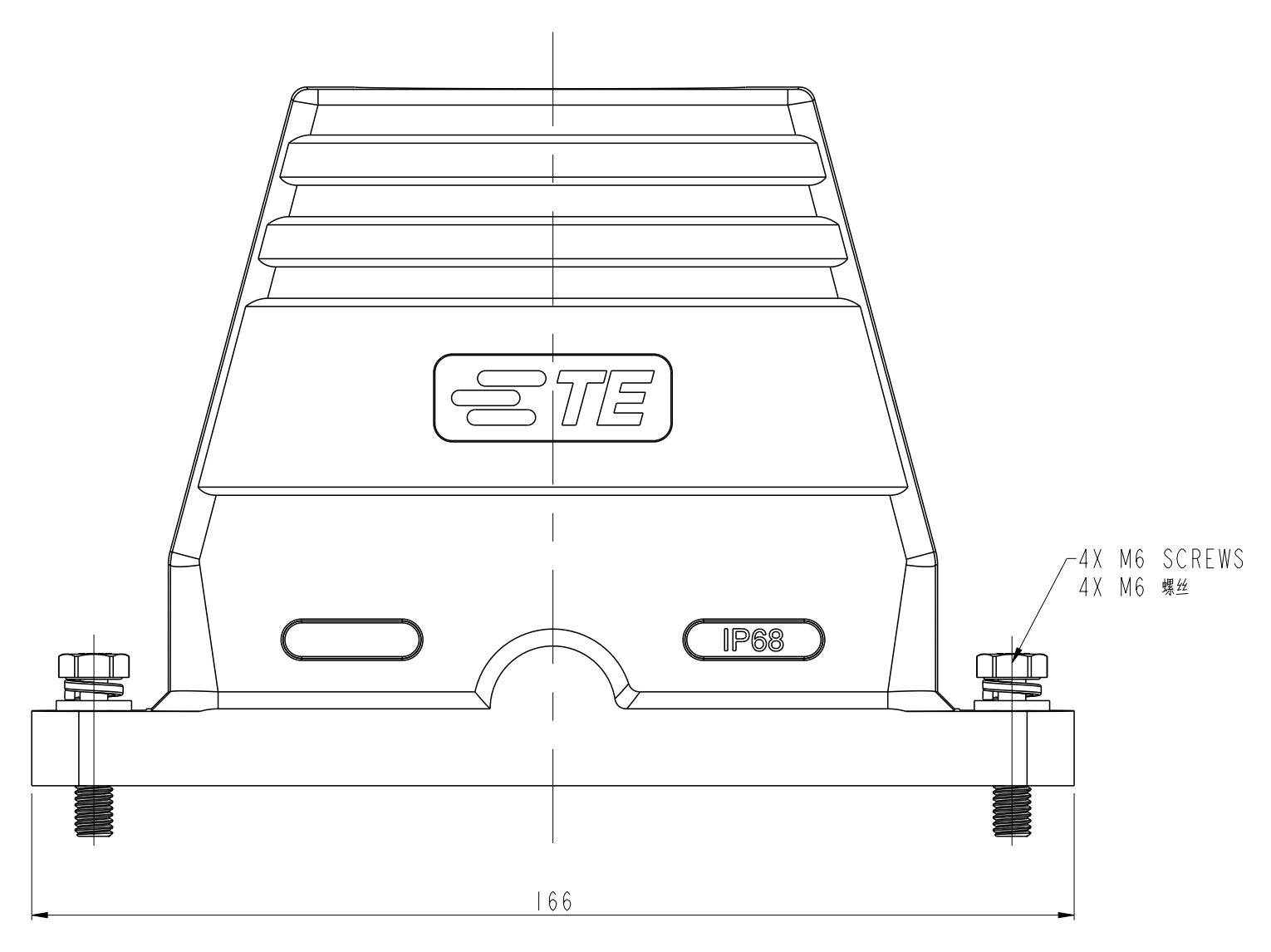
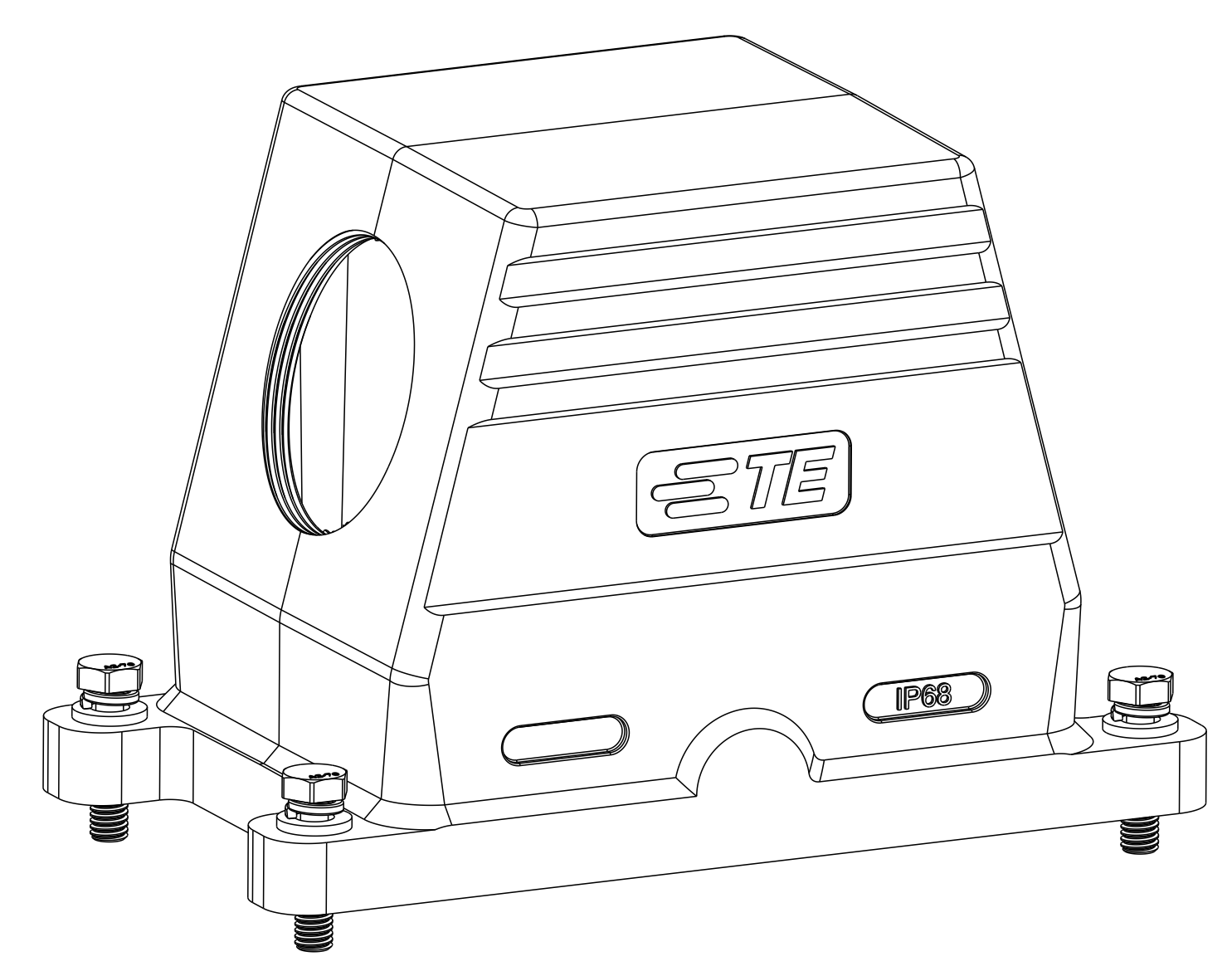
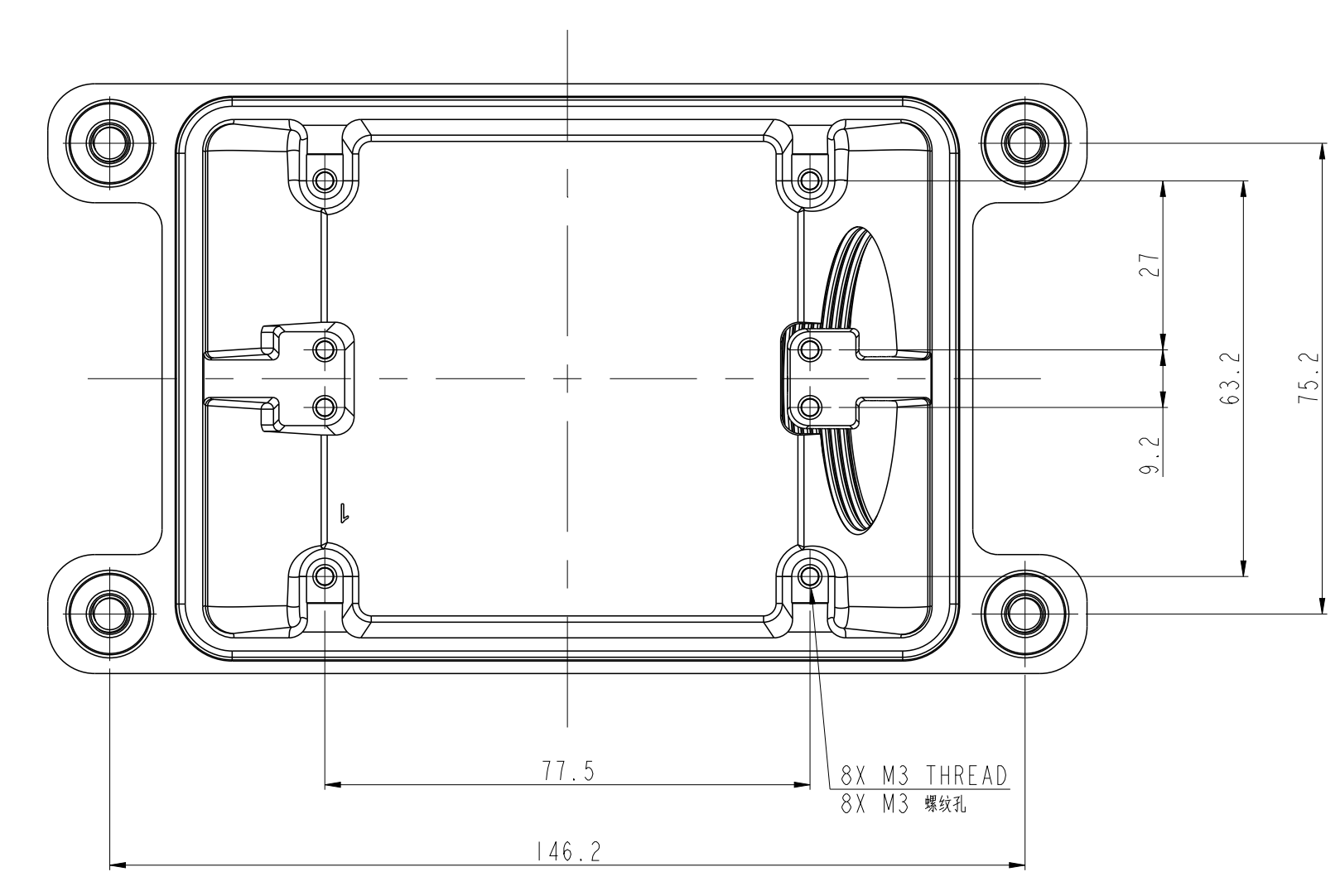
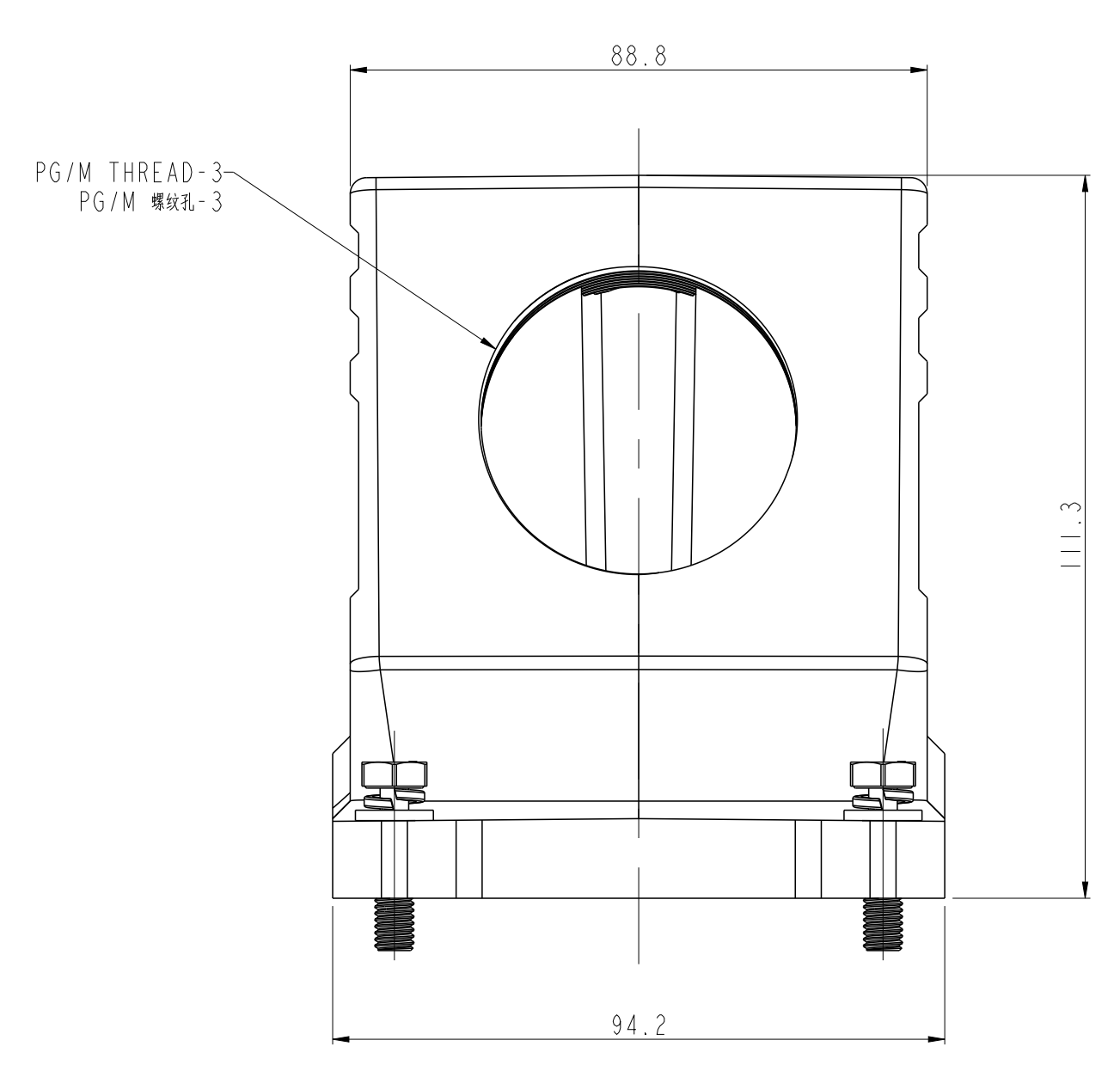
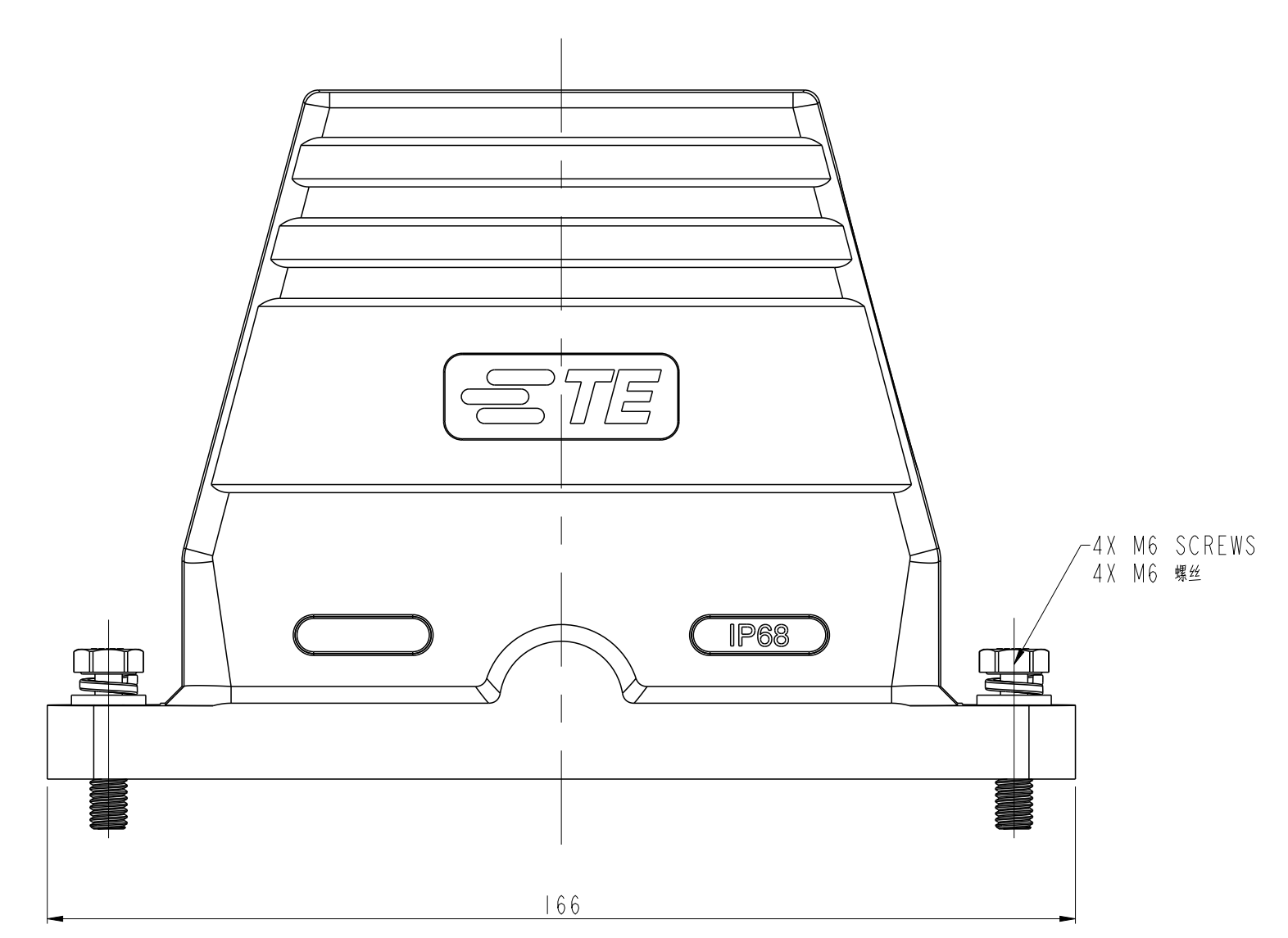


REVISIONS				
REV	DATE	BY	CHK	APPD
A	INITIAL	26JUL2016	DY	CW
A1	ECR-16-014639	15OCT2016	DY	CW
A2	ECR-19-003922	19MAR2019	CD	CW

TYPE-1: STANDARD TOP ENTRY
 物料: 44282

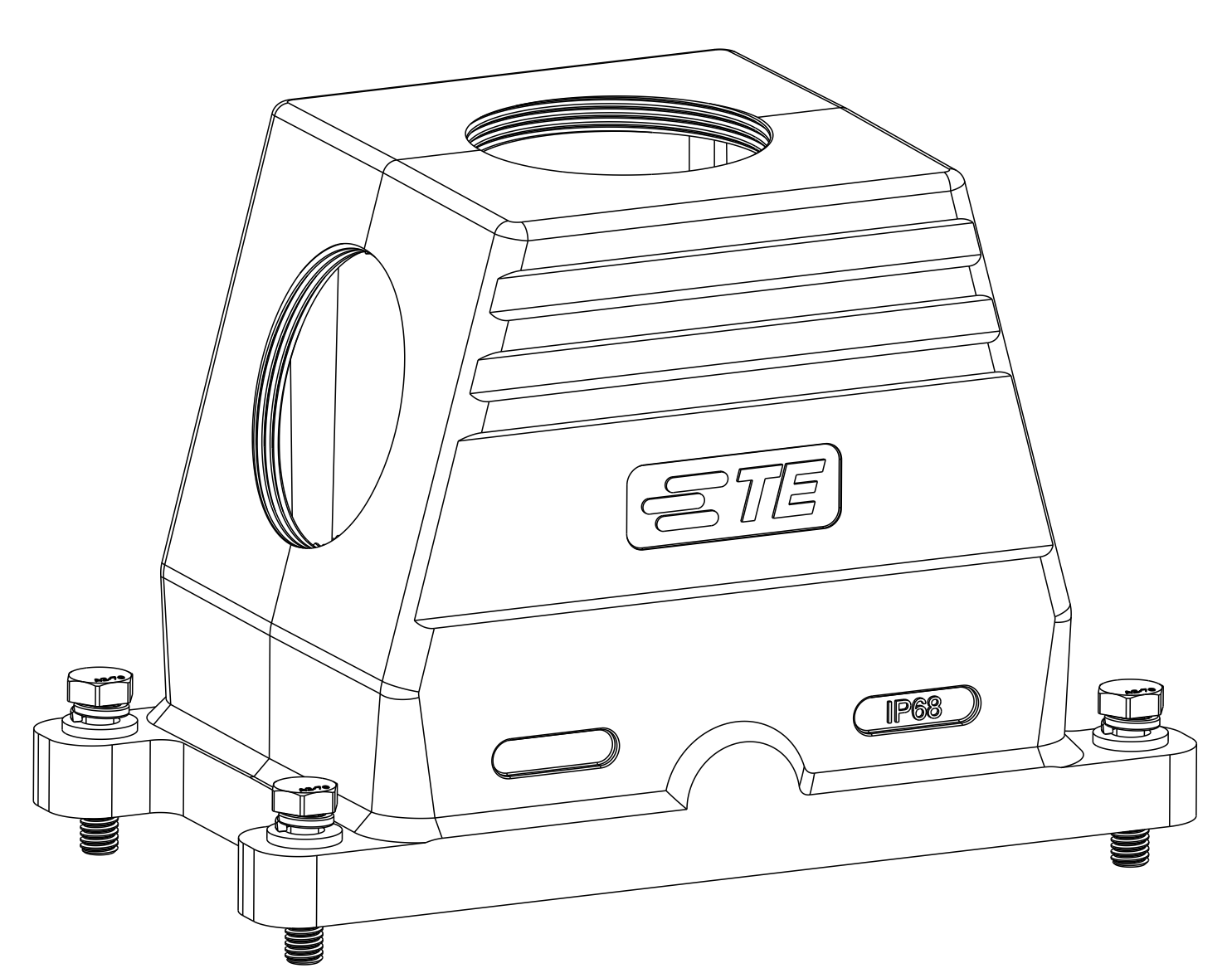
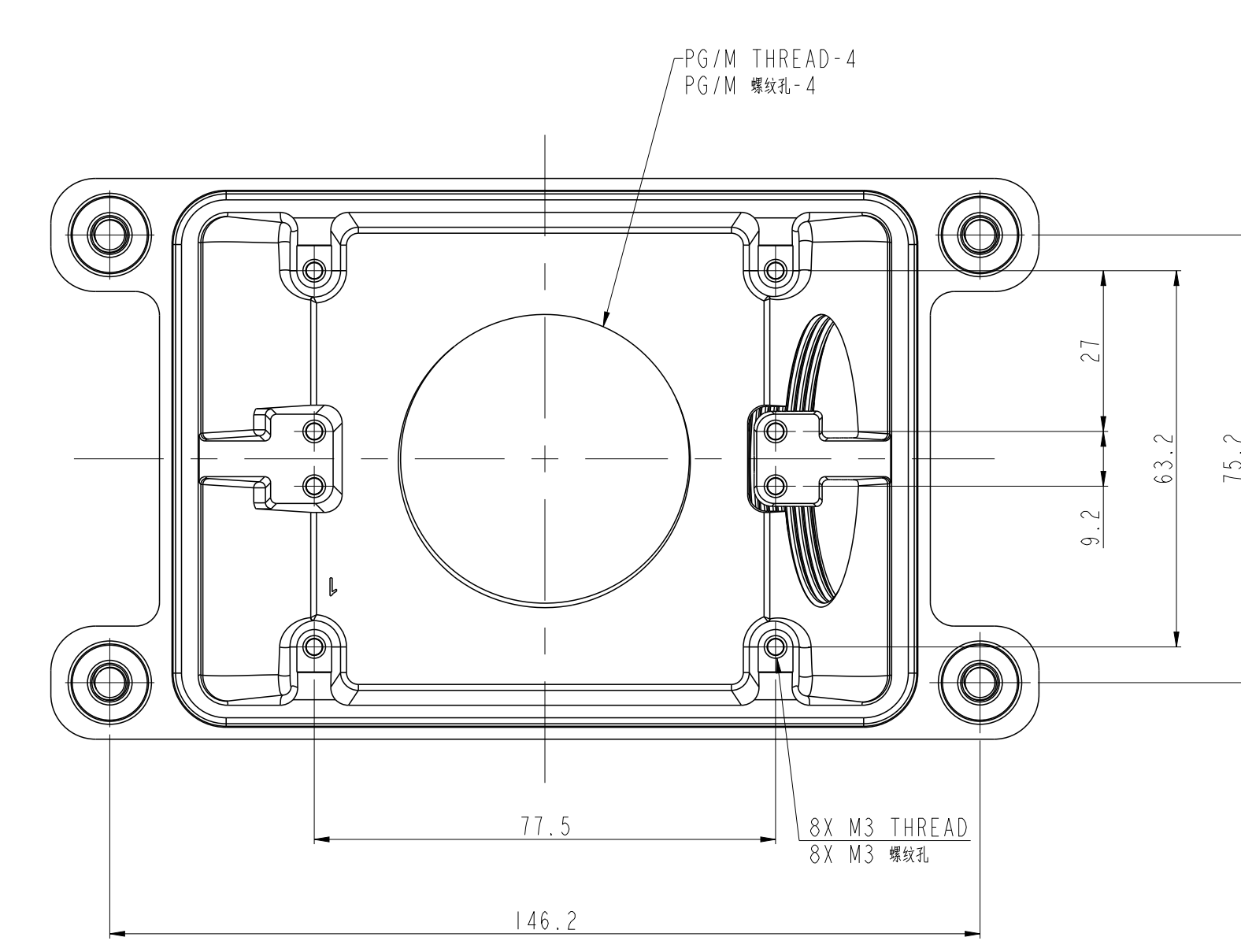
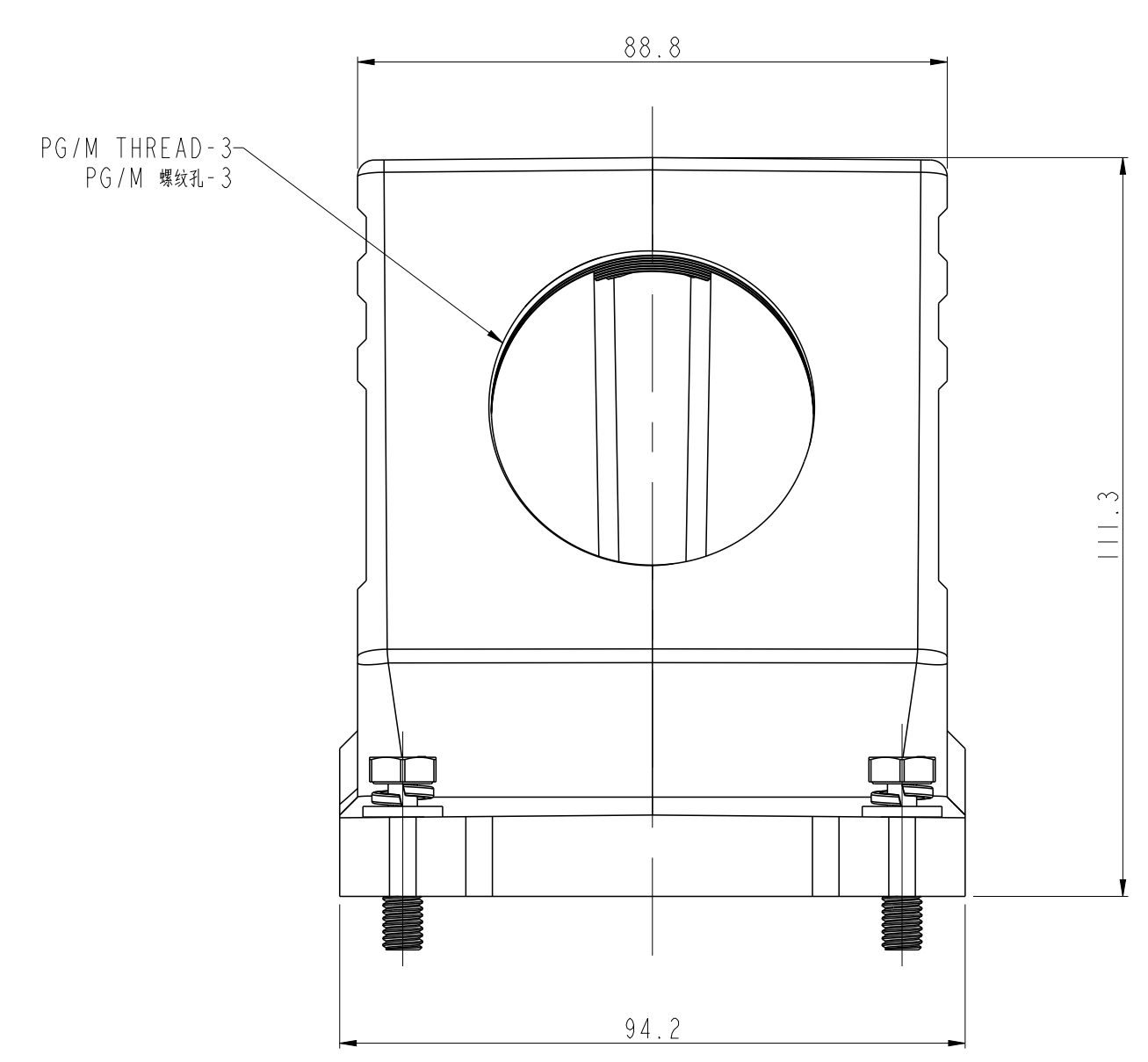
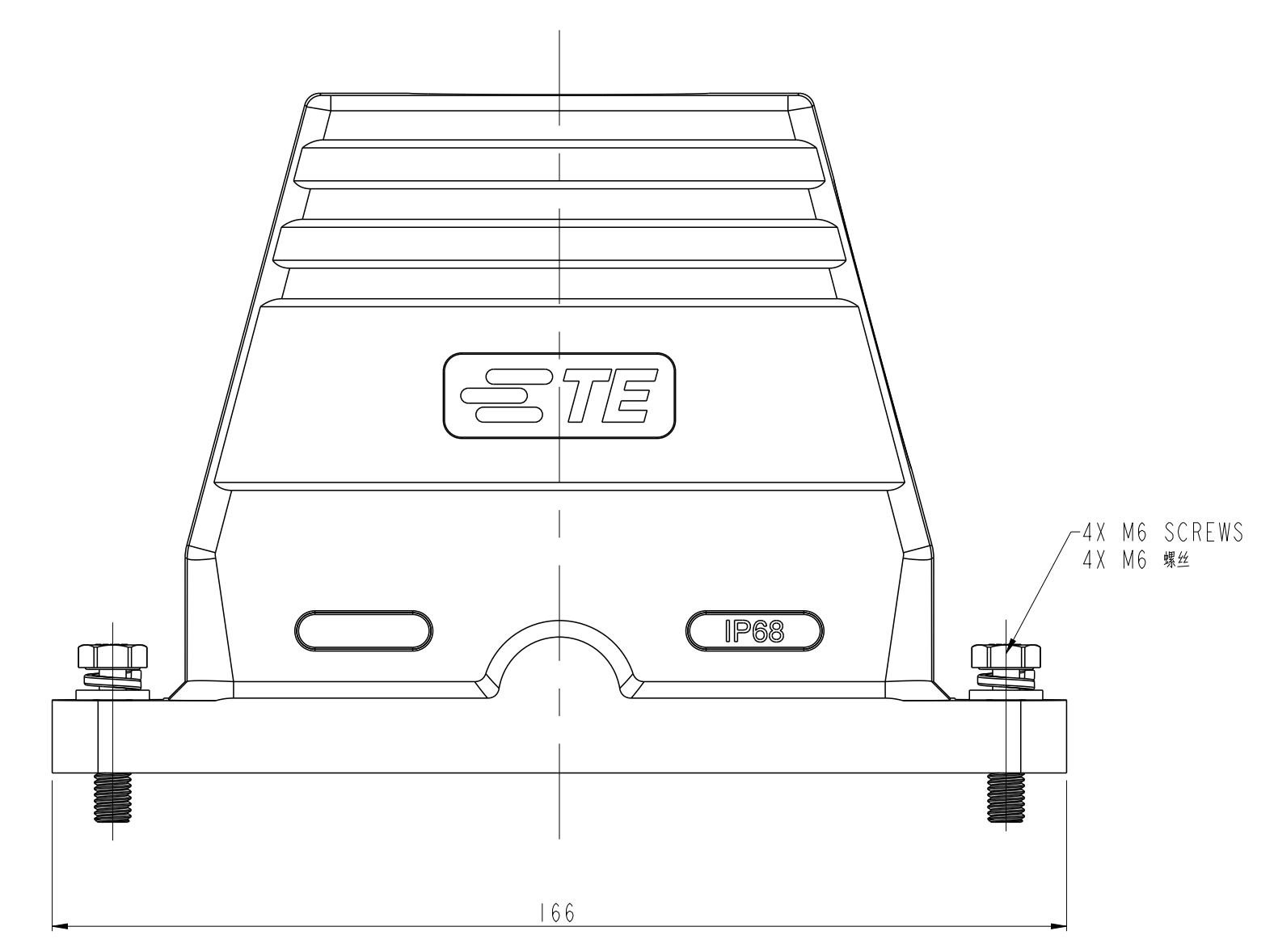


TYPE-2: STANDARD SIDE ENTRY
 物料: 44286

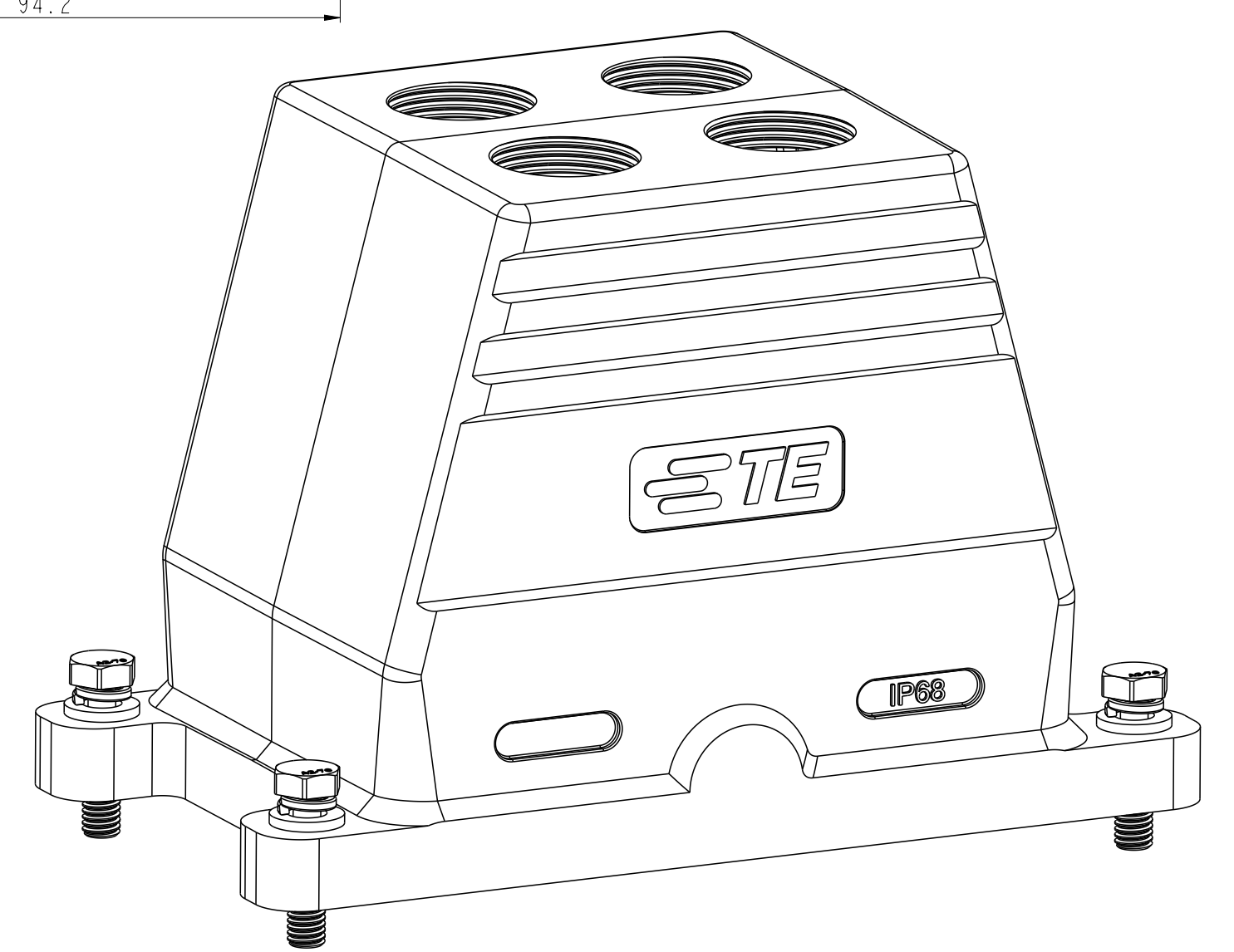
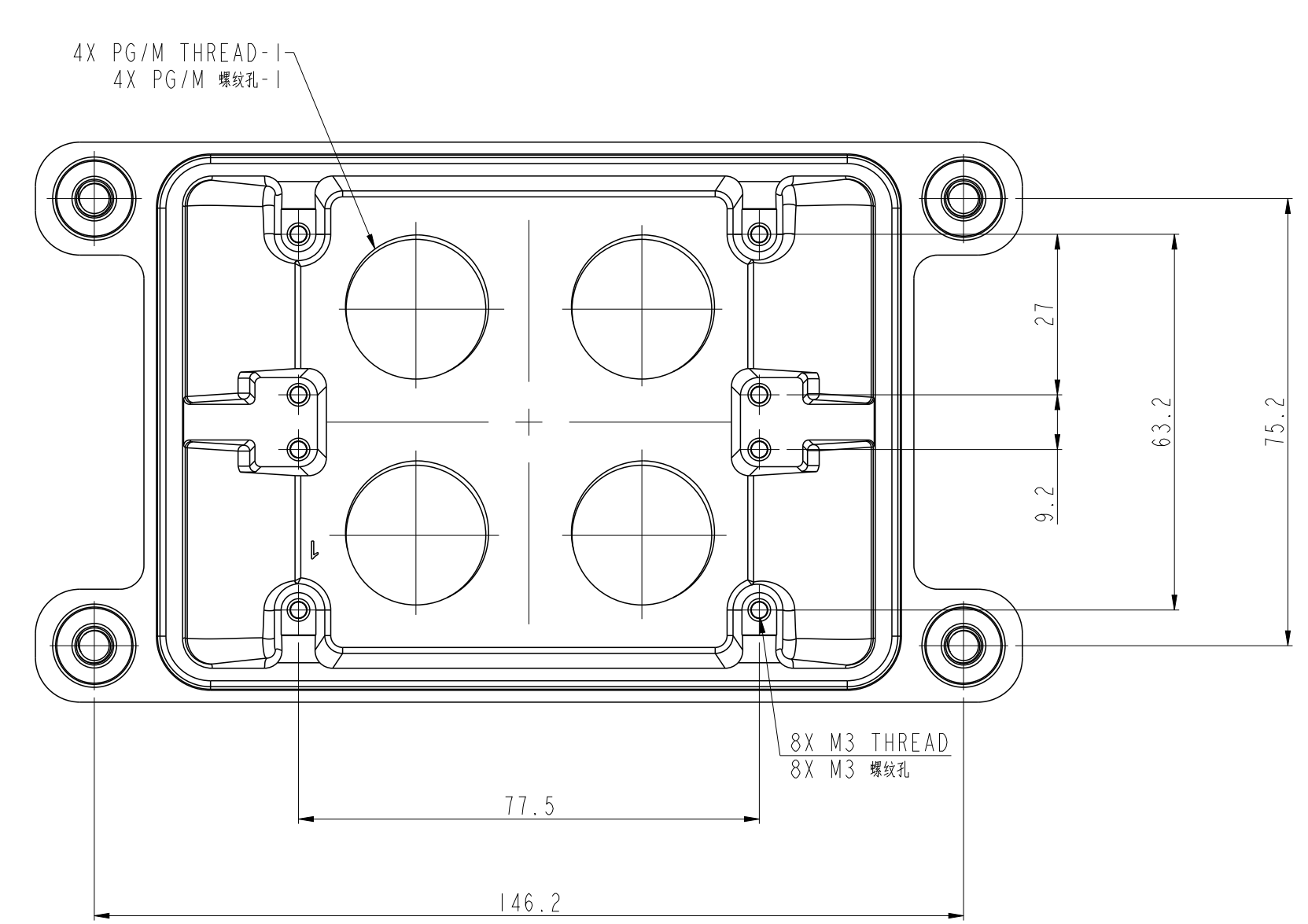
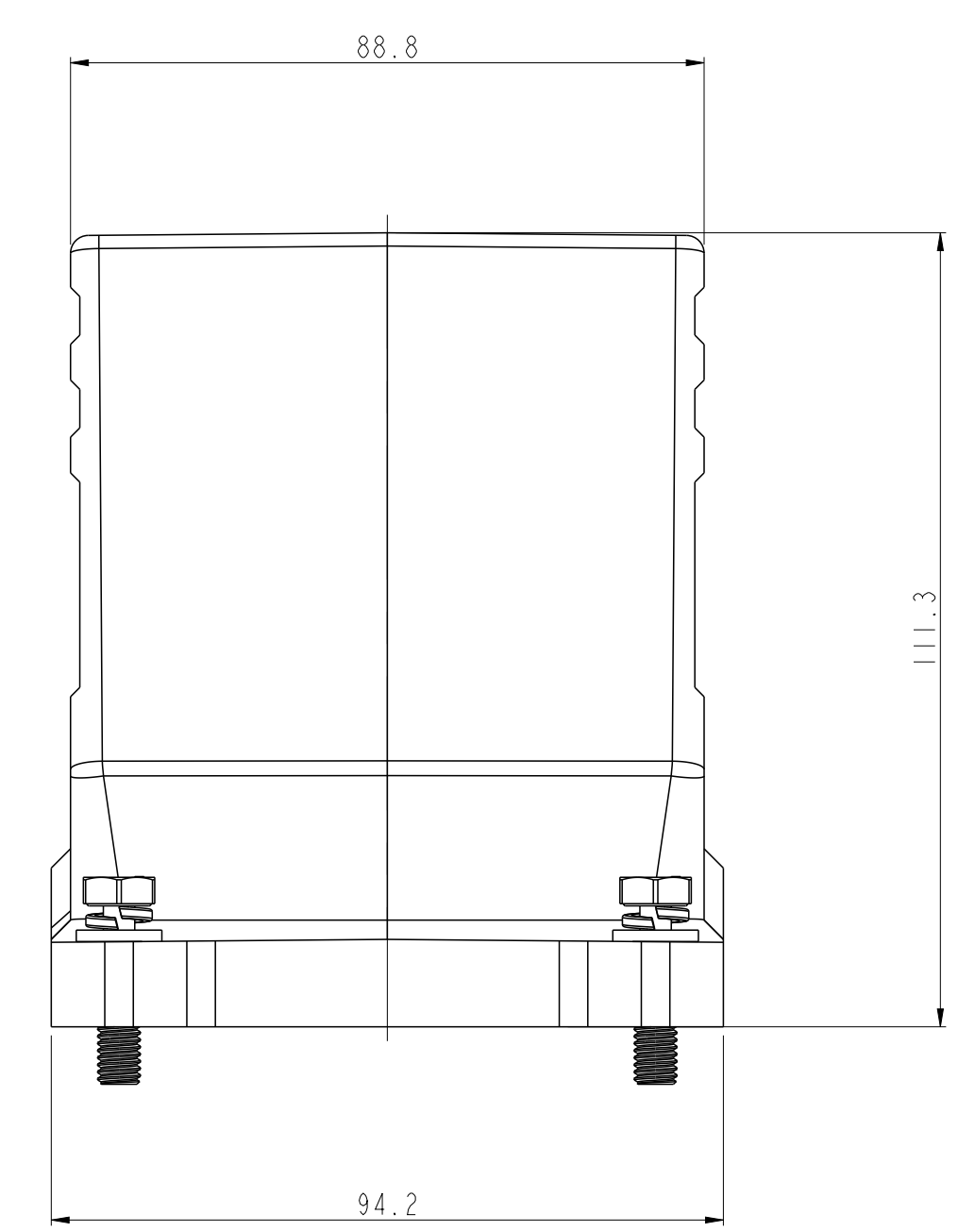
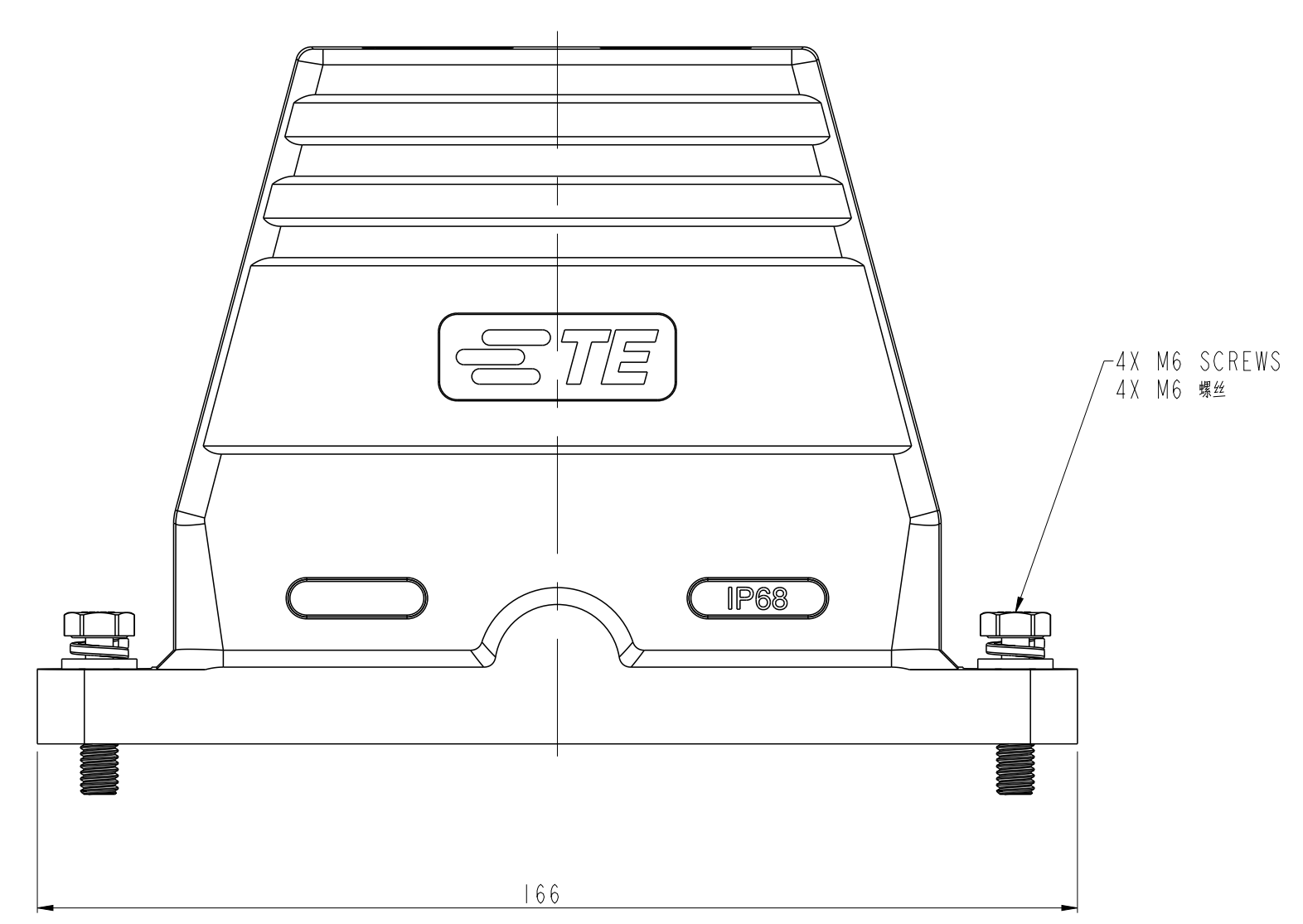


NOTES:
 1. TECHNICAL CHARACTERISTICS:
 HOOD MATERIAL: DIE CAST ALUMINIUM ALLOY
 SURFACE: POWDER COATED
 DEGREE OF PROTECTION: IP68 (MATED)
 物料:
 物料: 44286
 物料: 44286
 物料: IP68(44286)

TYPE-3: STANDARD SIDE AND TOP ENTRY
 物料: 44284, 44



TYPE-4: TOP ENTRY (FOUR HOLES)
 物料: 44 (44)



THIS DRAWING IS A CONTROLLED DOCUMENT.		DATE: 26JUL2016	DRG: QIANG, YUAN	TE Connectivity
DIMENSIONS: DIMS: 0.130MM UNLESS OTHERWISE SPECIFIED.		CHK: XUE, ZENG	DATE: 26JUL2016	
MATERIAL: FINISH: -		APPR: CHRIS, WANG	DATE: 26JUL2016	
WEIGHT: -		PRODUCT SPEC: 108-137014	NAME: H32BPR-TGH-4S-PG/M	
CUSTOMER DRAWING		APPLICATION SPEC: 114-137014	SCALE: 1:1	RESTRICTED TO: -
		SIZE: A0	SCALE: 1:1	REV: A2

REVISIONS			
#	DATE	DESCRIPTION	BY
-	-	SEE SHEET 1	-

NOTES:
 SEE SHEET 1
 ■:
 X SHEET 1

PN	LN	DESCRIPTION	DATE	BY	APPD	
T1926320425-000	H32BPR-TGH-4S-4M25	H32BPR HOOD, QUADRANGE LOCKING, TOP ENTRY 4M25, POWDER COATED, BLACK H32BPR上盖, 四角锁死, 顶盖4M25, 黑色粉末喷涂	4X M25X1.5	-	-	
T1906325050-002	H32BPR-TSH/TGH-4S-2M50	H32BPR HOOD, QUADRANGE LOCKING, SIDE ENTRY M50, TOP ENTRY M50, POWDER COATED, GREY H32BPR上盖, 四角锁死, 侧盖M50, 顶盖M50, 灰色粉末喷涂	-	-	M50X1.5	
T1906325050-000	H32BPR-TSH/TGH-4S-2M50	H32BPR HOOD, QUADRANGE LOCKING, SIDE ENTRY M50, TOP ENTRY M50, POWDER COATED, BLACK H32BPR上盖, 四角锁死, 侧盖M50, 顶盖M50, 黑色粉末喷涂	-	-	M50X1.5	
T1916322163-000	H32BPR-TSH-4S-M63	H32BPR HOOD, QUADRANGE LOCKING, SIDE ENTRY M63, POWDER COATED, GREY H32BPR上盖, 四角锁死, 侧盖M63, 灰色粉末喷涂	-	M63X1.5	-	
T1916322150-000	H32BPR-TSH-4S-M50	H32BPR HOOD, QUADRANGE LOCKING, SIDE ENTRY M50, POWDER COATED, GREY H32BPR上盖, 四角锁死, 侧盖M50, 灰色粉末喷涂	-	M50X1.5	-	
T1916322148-000	H32BPR-TSH-4S-PG48	H32BPR HOOD, QUADRANGE LOCKING, SIDE ENTRY PG48, POWDER COATED, GREY H32BPR上盖, 四角锁死, 侧盖PG48, 灰色粉末喷涂	-	PG48	-	
T1916322142-000	H32BPR-TSH-4S-PG42	H32BPR HOOD, QUADRANGE LOCKING, SIDE ENTRY PG42, POWDER COATED, GREY H32BPR上盖, 四角锁死, 侧盖PG42, 灰色粉末喷涂	-	PG42	-	
T1916320163-000	H32BPR-TSH-4S-M63	H32BPR HOOD, QUADRANGE LOCKING, SIDE ENTRY M63, POWDER COATED, BLACK H32BPR上盖, 四角锁死, 侧盖M63, 黑色粉末喷涂	-	M63X1.5	-	
T1916320150-000	H32BPR-TSH-4S-M50	H32BPR HOOD, QUADRANGE LOCKING, SIDE ENTRY M50, POWDER COATED, BLACK H32BPR上盖, 四角锁死, 侧盖M50, 黑色粉末喷涂	-	M50X1.5	-	
T1916320148-000	H32BPR-TSH-4S-PG48	H32BPR HOOD, QUADRANGE LOCKING, SIDE ENTRY PG48, POWDER COATED, BLACK H32BPR上盖, 四角锁死, 侧盖PG48, 黑色粉末喷涂	-	PG48	-	
T1916320142-000	H32BPR-TSH-4S-PG42	H32BPR HOOD, QUADRANGE LOCKING, SIDE ENTRY PG42, POWDER COATED, BLACK H32BPR上盖, 四角锁死, 侧盖PG42, 黑色粉末喷涂	-	PG42	-	
T1926322163-000	H32BPR-TGH-4S-M63	H32BPR HOOD, QUADRANGE LOCKING, TOP ENTRY M63, POWDER COATED, GREY H32BPR上盖, 四角锁死, 顶盖M63, 灰色粉末喷涂	M63X1.5	-	-	
T1926322150-000	H32BPR-TGH-4S-M50	H32BPR HOOD, QUADRANGE LOCKING, TOP ENTRY M50, POWDER COATED, GREY H32BPR上盖, 四角锁死, 顶盖M50, 灰色粉末喷涂	M50X1.5	-	-	
T1926322148-000	H32BPR-TGH-4S-PG48	H32BPR HOOD, QUADRANGE LOCKING, TOP ENTRY PG48, POWDER COATED, GREY H32BPR上盖, 四角锁死, 顶盖PG48, 灰色粉末喷涂	PG48	-	-	
T1926322142-000	H32BPR-TGH-4S-PG42	H32BPR HOOD, QUADRANGE LOCKING, TOP ENTRY PG42, POWDER COATED, GREY H32BPR上盖, 四角锁死, 顶盖PG42, 灰色粉末喷涂	PG42	-	-	
T1926320163-000	H32BPR-TGH-4S-M63	H32BPR HOOD, QUADRANGE LOCKING, TOP ENTRY M63, POWDER COATED, BLACK H32BPR上盖, 四角锁死, 顶盖M63, 黑色粉末喷涂	M63X1.5	-	-	
T1926320150-000	H32BPR-TGH-4S-M50	H32BPR HOOD, QUADRANGE LOCKING, TOP ENTRY M50, POWDER COATED, BLACK H32BPR上盖, 四角锁死, 顶盖M50, 黑色粉末喷涂	M50X1.5	-	-	
T1926320148-000	H32BPR-TGH-4S-PG48	H32BPR HOOD, QUADRANGE LOCKING, TOP ENTRY PG48, POWDER COATED, BLACK H32BPR上盖, 四角锁死, 顶盖PG48, 黑色粉末喷涂	PG48	-	-	
T1926320142-000	H32BPR-TGH-4S-PG42	H32BPR HOOD, QUADRANGE LOCKING, TOP ENTRY PG42, POWDER COATED, BLACK H32BPR上盖, 四角锁死, 顶盖PG42, 黑色粉末喷涂	PG42	-	-	
PART NUMBER	PART DESCRIPTION	PG/M THREAD-1 PG/M 螺孔-1	PG/M THREAD-2 PG/M 螺孔-2	PG/M THREAD-3 PG/M 螺孔-3	PG/M THREAD-4 PG/M 螺孔-4	TYPE 类型

THIS DRAWING IS A CONTROLLED DOCUMENT. DATE: 28JUL2016
 DIMENSIONS: (mm) DATE: 28JUL2016
 MATERIAL: FINISH: WEIGHT: A0
 SCALE: 1:1 SHEET 2 OF 2 REV A2
STE TE Connectivity
 H32BPR-TGH-4S-PG/M