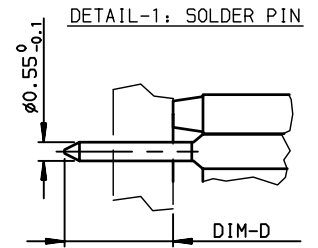
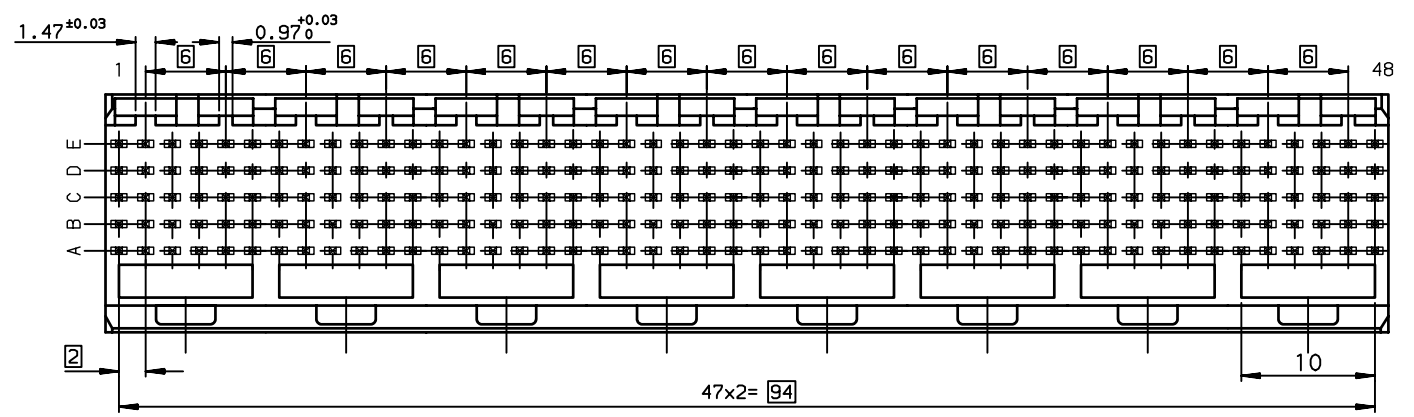
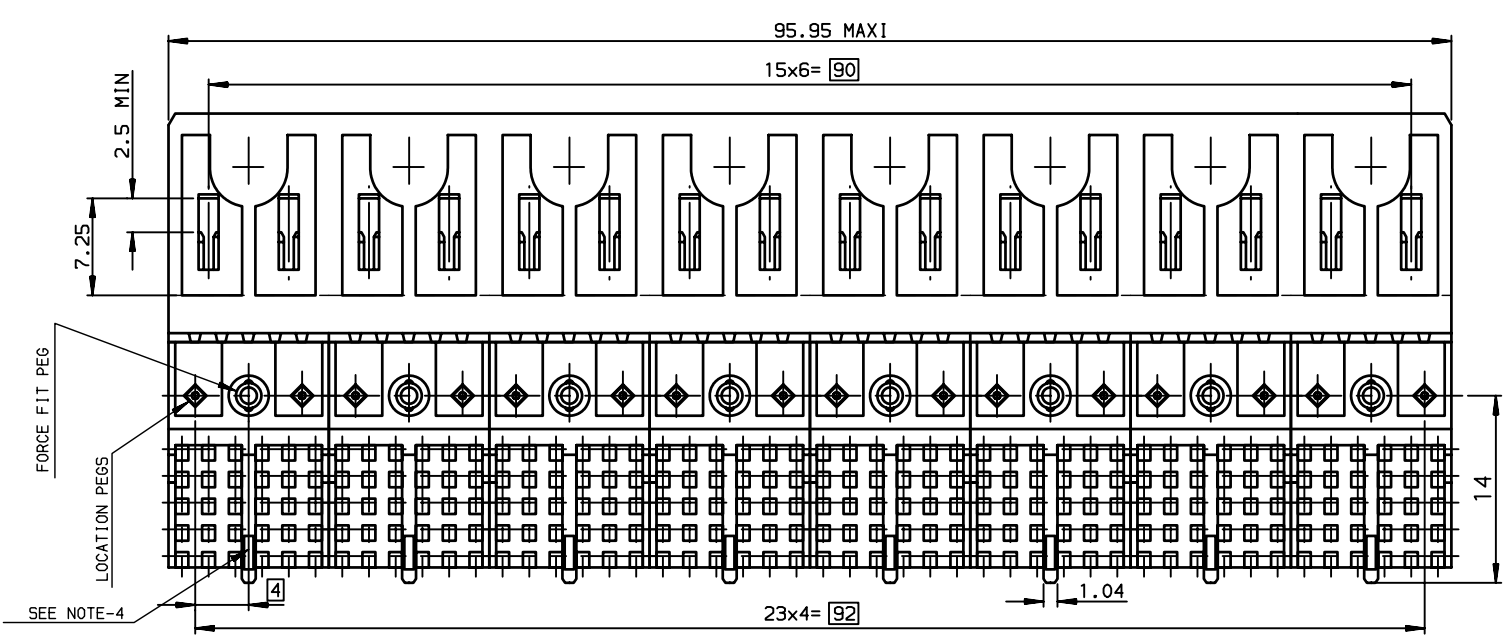
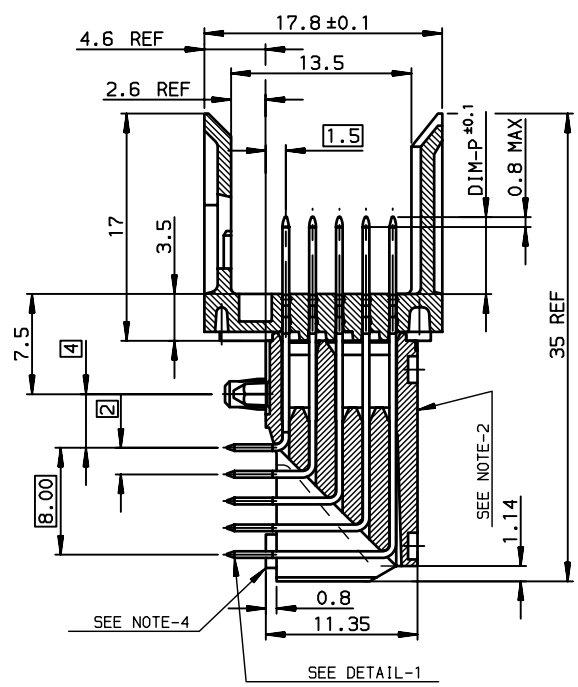
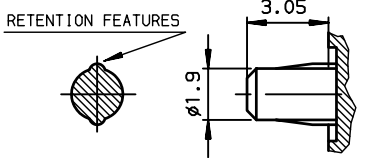




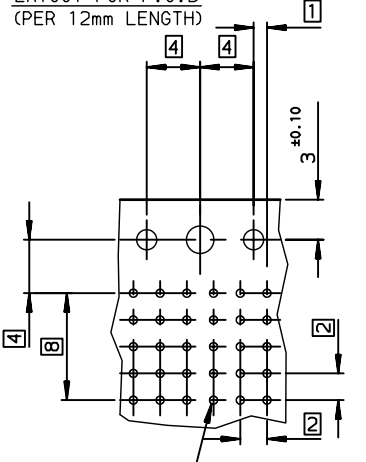
Copyright FCI.



DETAIL OF FORCE-FIT PEGS



LAYOUT FOR P.C.B (PER 12mm LENGTH)



Hole according to product spec: GS-12-445 (for press-fit), GS-12-446 (for STB)

TIN LEAD PART NUMBER

Part Number: HM1L54xyP000Hz / 000H6									
MATING LENGTH DIM-P / REPLACE 'x' BY:									
	ROW-A	ROW-B	ROW-C	ROW-D	ROW-E				
A =	5.00	5.00	5.00	5.00	5.00				
L =	5.75	5.75	5.75	5.75	5.75				
D =	6.50	6.50	6.50	6.50	6.50				
B =	6.50	5.00	5.00	5.00	5.00				
C =	6.50	5.75	5.75	6.50	5.75				
TERMINATION LENGTH						D=2.90 ±0.3, replace y by A			
DIM-D						D=3.70 ±0.3, replace y by B			

LEAD-FREE PART NUMBER

Part Number: HM1L54xyP000HzLF/000H6LF									
MATING LENGTH DIM-P / REPLACE 'x' BY:									
	ROW-A	ROW-B	ROW-C	ROW-D	ROW-E				
A =	5.00	5.00	5.00	5.00	5.00				
L =	5.75	5.75	5.75	5.75	5.75				
D =	6.50	6.50	6.50	6.50	6.50				
B =	6.50	5.00	5.00	5.00	5.00				
C =	6.50	5.75	5.75	6.50	5.75				
TERMINATION LENGTH						D=2.90 ±0.3, replace y by A			
DIM-D						D=3.70 ±0.3, replace y by B			

GENERAL CHARACTERISTICS AND ROHS INFORMATIONS:

SEE PRODUCT SPECIFICATION GS-12-446

NOTE-2: INSERTION IN PCB, HANDLING OR BENCH PRESS  
NOTE-3: IF SUFFIX "P" IS ADDED IN P/N PACKAGING IS IN TRAYS BUT CONNECTOR MARKING IS WITHOUT "P"

EXAMPLE: HM1XXXXXXXXXH6P, MARKED HM1XXXXXXXXXH6  
NOTE-4: REAR CENTRAL SUPPORT FOR BETTER ASSY ON PCB

www.fciconnect.com		surface	tolerance std	projection	mm
		ISO 1302	ISO 406 ISO 1101		
TOLERANCES UNLESS OTHERWISE SPECIFIED					
Dr	CHAMPION	1997/06/17	ANGULAR	0.X	±0.1
Eng	LENOIR	1997/06/17	LINEAR	0.XX	±0.1
Chr	LEGARE	1997/06/17	0.XX ±2	0.XXX	±0.1
Appr	LEGARE	1997/06/17	Product family		ECN LS07-0184
			METRAL		Spec ref -
METRAL RA HEADER 5 ROW					Rev.
STANDARD SOLDER 240 WAY					F
catalog no					sheet 1 of 1

rev	ecn no	dr	date
C	-	MAS	2000/08/31
D	LS05-001	MLE	2005/03/15
E	LS06-0095	LGO	2006/07/10
F	LS07-0184	MLE	2007/07/24
-	-	-	-
-	-	-	-
-	-	-	-