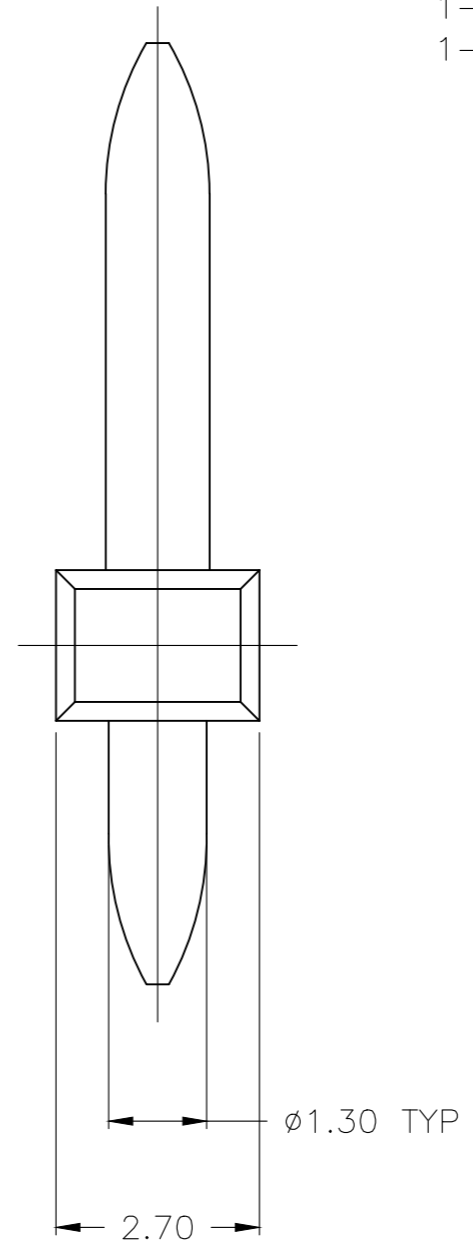
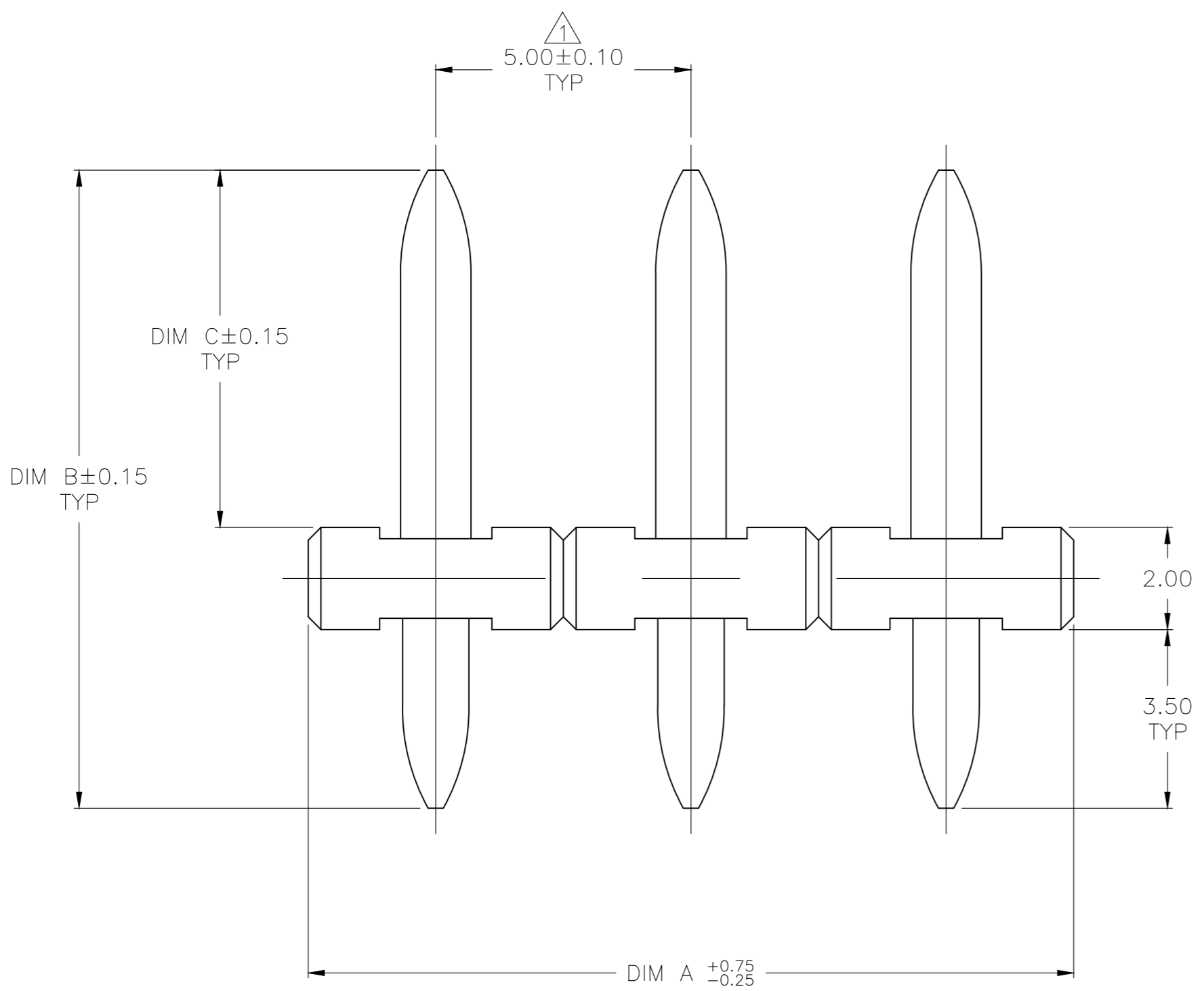


THIS DRAWING IS UNPUBLISHED. RELEASED FOR PUBLICATION  
 © COPYRIGHT - By - ALL RIGHTS RESERVED.

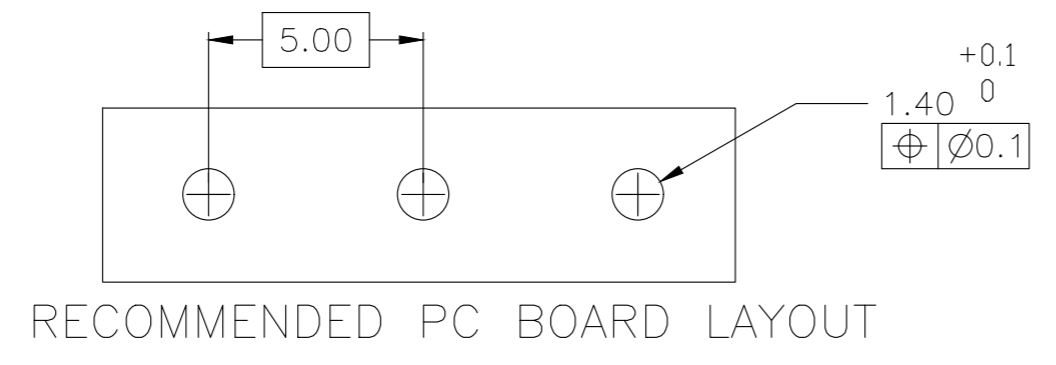
REVISIONS				
P	LTR	DESCRIPTION	DATE	APVD
	A1	P/N 2-1776489-7 ADDED	16JAN2018	RK PS

- 1. NON CUMULATIVE.
- 2. PARTS TO BE WAVE SOLDER PROCESS CAPABLE UP TO 265°C FOR 10 SECONDS MAX.
- 3. OBSOLETE

- 1-1. MATERIAL:
  - 1-1-1. PINS: BRASS, NICKEL AND TIN PLATED.
  - 1-1-2. INSULATOR BODY: PA 6.6, UL94V-0 (STRIP ONLY)(COLOR BLUE)
- 1-2. ELECTRICAL:
  - 1-2-1. CURRENT RATING: 10 AMPS/WAY MAX.
  - 1-2-2. WITHSTANDING VOLTAGE: 1500 VAC/MIN  
TEST TIME=60 SEC/1PC
  - 1-2-3/ INSULATION RESISTANCE: 5000Mohm /1000V
- 1-3. MECHANICAL:
  - 1-3-1. CONTACT RETENTION FORCE: 3 KG/CM (MIN).
  - 1-3-2. OPERATING TEMPERATURE: -55°C TO +105°C.
  - 1-3-3. SOLDERABILITY: 95% COVERAGE (MIN)  
TEST TEMPERATURE= 230°C±10°C  
TEST TIME= 3SEC ± 0.5SEC.



DIM C	DIM B	DIM A	NO. OF POSN	PART NUMBER
38.5	44.00	20.00(.787)	4	2-1776489-7
7.00	12.50	120.00(4.724)	24	2-1776489-4
7.00	12.50	115.00(4.528)	23	2-1776489-3
7.00	12.50	110.00(4.331)	22	2-1776489-2
7.00	12.50	105.00(4.134)	21	2-1776489-1
7.00	12.50	100.00(3.937)	20	2-1776489-0
7.00	12.50	95.00(3.740)	19	1-1776489-9
7.00	12.50	90.00(3.543)	18	1-1776489-8
7.00	12.50	85.00(3.346)	17	1-1776489-7
7.00	12.50	80.00(3.150)	16	1-1776489-6
7.00	12.50	75.00(2.953)	15	1-1776489-5
7.00	12.50	70.00(2.756)	14	1-1776489-4
7.00	12.50	65.00(2.559)	13	1-1776489-3
7.00	12.50	60.0(2.362)	12	1-1776489-2
7.00	12.50	55.00(2.165)	11	1-1776489-1
7.00	12.50	50.00(1.969)	10	1-1776489-0
7.00	12.50	45.00(1.772)	9	1776489-9
7.00	12.50	40.00(1.575)	8	1776489-8
7.00	12.50	35.00(1.378)	7	1776489-7
7.00	12.50	30.00(1.181)	6	1776489-6
7.00	12.50	25.00(.984)	5	1776489-5
7.00	12.50	20.00(.787)	4	1776489-4
7.00	12.50	15.00(.591)	3	1776489-3
7.00	12.50	10.00(.394)	2	1776489-2



THIS DRAWING IS A CONTROLLED DOCUMENT.

DWN S SCHLEGEL 5/2/05	 TE Connectivity	NAME	HEADER, STRAIGHT, UNSHROUDED 5.0MM PITCH		
CHK C RICHARD 5/2/05		SIZE	CAGE CODE	DRAWING NO	RESTRICTED TO
APVD C RICHARD 5/2/05		A2	00779	C=1776489	-
PRODUCT SPEC		CUSTOMER DRAWING			
APPLICATION SPEC	SCALE	5:1	SHEET	1 OF 1	REV A1