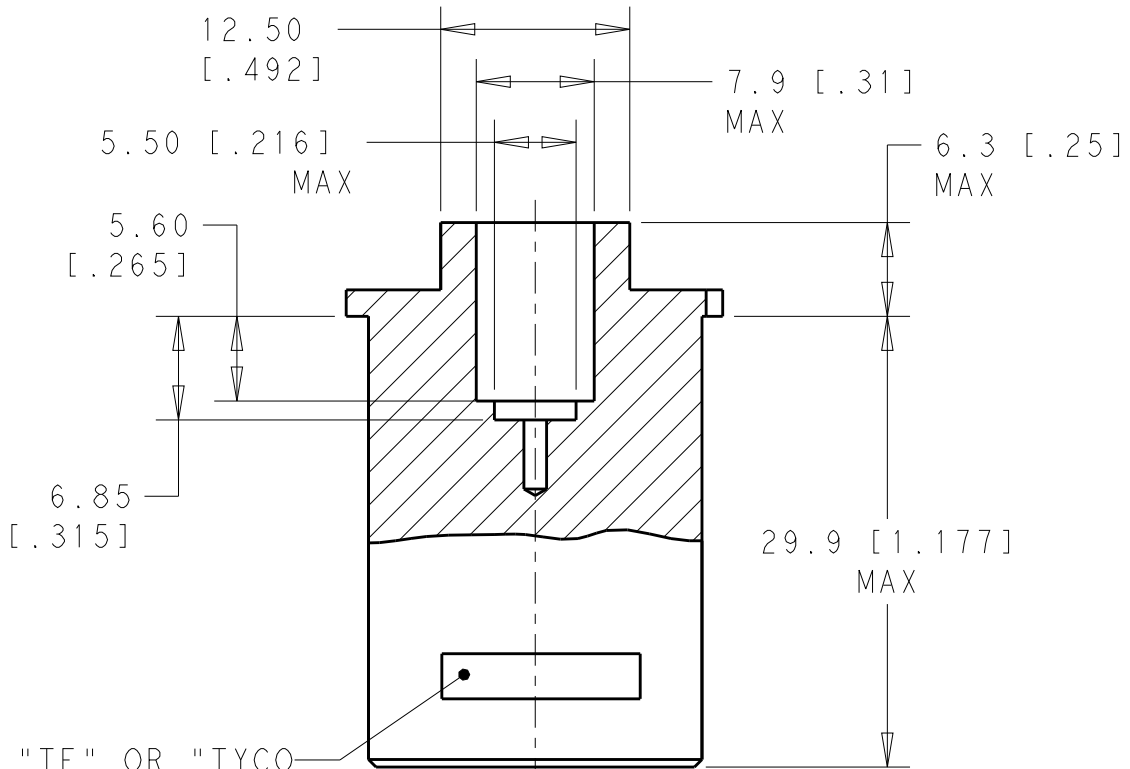
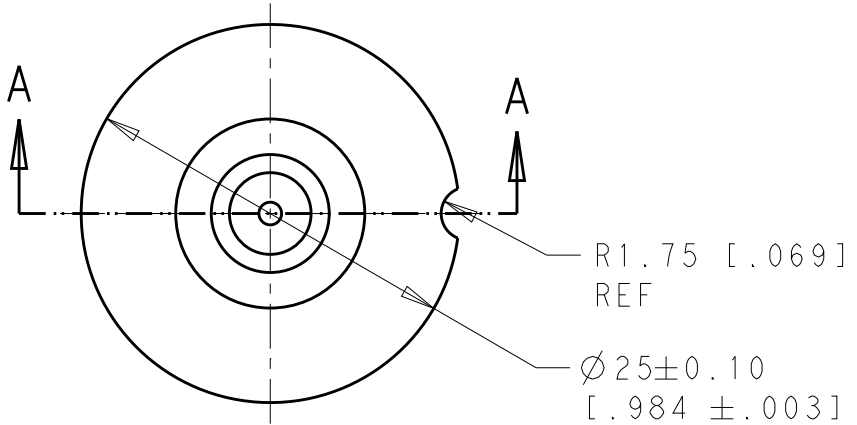


REVISIONS					
P	LTR	DESCRIPTION	DATE	DWN	APVD
	A	REVISED PER ECO-14-003109	12NOV2014	MGM	CT
	B	REVISED PER ECO-17-013524	14SEP2017	KM	CD



"TE" OR "TYCO ELECTRONICS" & TE PART NO. MARKED IN THIS AREA

SECTION A - A

1738331-1  
TE PART NO.

20  
 RELEASED FOR PUBLICATION  
 ALL RIGHTS RESERVED.  
 BY -  
 COPYRIGHT 20

DIMENSIONS: mm [ INCHES ]		DWN MANJUNATH G M 12NOV2014	MATERIAL ALUMINIUM ALLOY	FINISH WHITE ANODIZED
TOLERANCES UNLESS OTHERWISE SPECIFIED: 0 PLC ±- 1 PLC ±- 2 PLC ±0.05 3 PLC ±- 4 PLC ±- ANGLES ±-		CHK CHARLES THOMAS 12NOV2014	TE Connectivity	
		APVD CHARLES THOMAS 12NOV2014		
		PRODUCT SPEC -	NAME GPR CONTACT CRIMPING POSITIONER	
		APPLICATION SPEC -	SIZE A 4	CAGE CODE -
		WEIGHT -	DRAWING NO C-1738331	RESTRICTED TO -
CUSTOMER DRAWING			SCALE 2:1	SHEET 1 OF 1
			REV B	