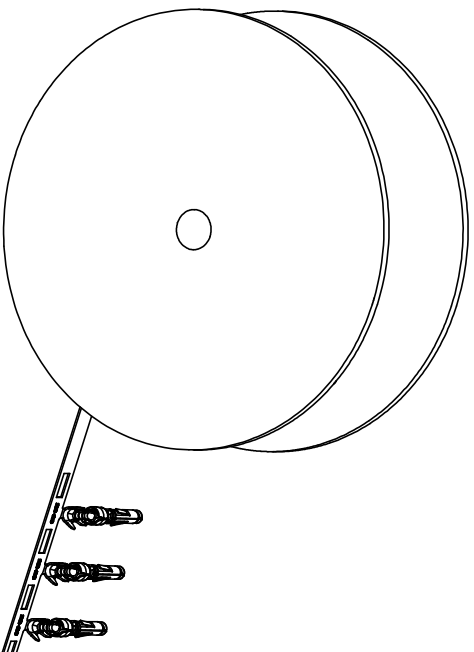


REVISIONS				
REV	ECO	DESCRIPTION	DATE	BY APPR
A1	-	RELEASED DRAWING	Nov-9-17	Rookie Tommy
A2	-	ADD THE GS PART NUMBER	Jan-28-19	Blink Tommy
A3	-	CHANGE HAND CRIMPER	Nov-8-19	Flan Tommy

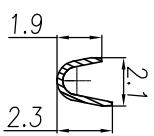
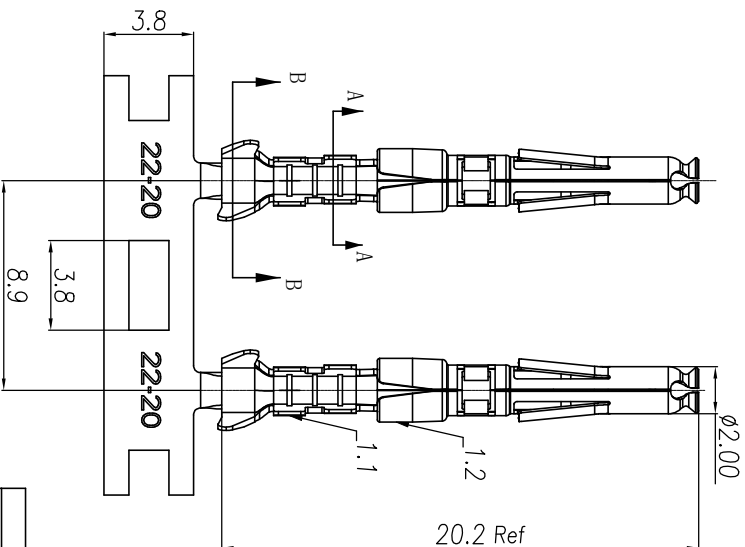
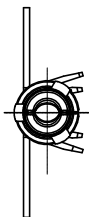


CONTACT ORIENTATION ON ROLL

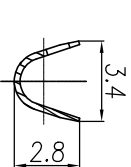
NOTES: (UNLESS OTHERWISE SPECIFIED)

- MATERIAL:
 - CONTACT BODY: COPPER ALLOY.
 - OUTER SPRING: STAINLESS STEEL.
- SPECIFICATIONS:
 - CURRENT RATING: 5A MAX.
 - TERMINATION TYPE: CRIMPING.
 - WIRE RANGE: 22~20AWG.
 - WIRE INSULATION DIA(MAX): $\varnothing 2.6\text{mm}$.
- RHS COMPLIANT.
- ALL DIMENSIONS ARE FOR REFERENCE USE ONLY.
- AVAILABLE TOOLS:
 - HAND CRIMPER: MFX-3958. A3
 - CRIMP APPLICATOR: MFX-3957.
 - EXTRACTION TOOL: QXRT20.

P/N	CONTACT PLATING(MATING AREA)
SS20W2T	TIN PLATING OVER NICKEL.
SS20W2N	NICKEL PLATING OVER COPPERIZE.
SS20W2F	GOLD FLASH PLATING OVER NICKEL.
SS20W2G5	5 μ " GOLD PLATING OVER NICKEL.
SS20W2G10	10 μ " GOLD PLATING OVER NICKEL.
SS20W2G15	15 μ " GOLD PLATING OVER NICKEL.
SS20W2G30	30 μ " GOLD PLATING OVER NICKEL.



SECTION A-A



SECTION B-B

QUANTITY	PART NUMBER	DESCRIPTION	ITEM

MATERIALS LIST

UNLESS OTHERWISE SPECIFIED			
1) All dimensions are in millimeters.	DRAWN: Flan	DATE: Nov-8-19	<p>Amphenol</p> <p>Sine Systems - www.amphenol-sine.com</p> <p>44724 Monty Drive</p> <p>Clinton Township, MI 48038</p>
2) Tolerances are as follows:	CHECKED: Flan	DATE: Nov-8-19	
1 Ft. DEC 2010	ENGINEER: Tommy	DATE: Nov-8-19	
3 Ft. DEC 2010	APPROVE: Tommy	DATE: Nov-8-19	
3) Note reference =	CUSTOMER: Nov-8-19		

PROCESS SPECIFICATIONS	MATERIAL SPECIFICATIONS	THE DRAWING IS SUBJECT TO THE SPECIFICATIONS AND PERFORMANCE DATA OF THE MANUFACTURING CORPORATION. NO RIGHTS OF REPRODUCTION ARE IMPLIED. ALL MANUFACTURING VARIATIONS

SCALE	SIZE	TYPE	DWG NO.	REVISION
NONE	B	C-	SS20W2XX	A3

ECO-MATE SOCKET CONTACT, STAMPED, 20-22AWG, SIZE 20