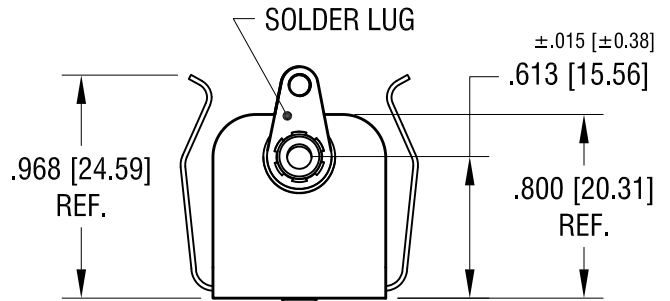
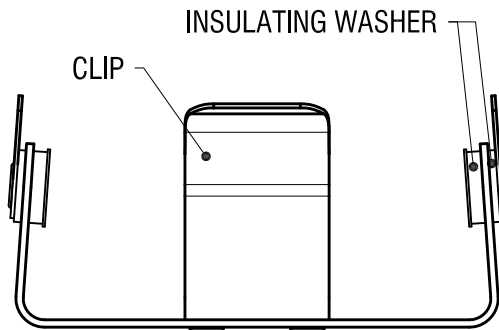
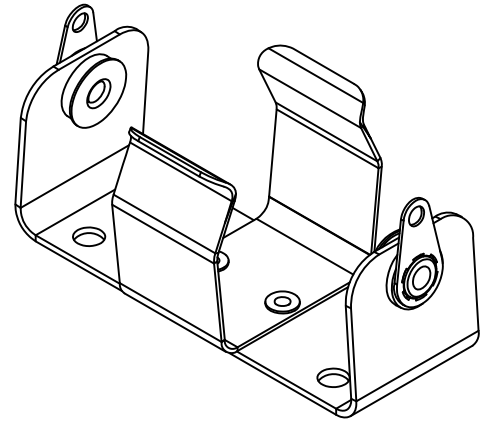
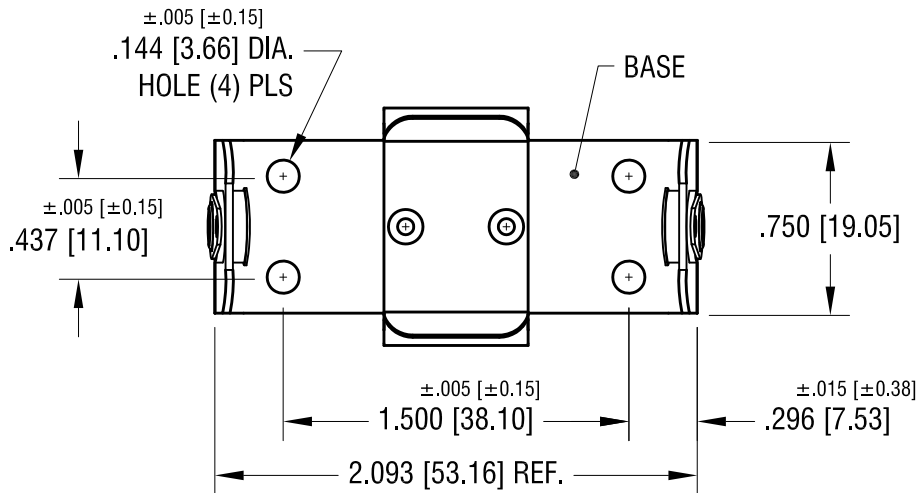


THIS DOCUMENT IS THE PROPERTY OF KEYSTONE ELECTRONICS CORP. AND SHALL NOT BE REPRODUCED, DISTRIBUTED OR USED AS A BASIS FOR MANUFACTURE WITHOUT PRIOR WRITTEN PERMISSION FROM KEYSTONE ELECTRONICS CORP.



NOTES:

- 1. BASE: MAT'L - .032 [.81] TH'K ALUMINUM
- CLIP: MAT'L - .020 [.50] TH'K ALUMINUM
- SOLDER LUG: MAT'L - BRASS
- FINISH - TIN PLATE

3.05.12	CHANGE AS PER ECN 12-028	A
DATE	DESCRIPTION	REV.

KEYSTONE ELECTRONICS CORP.			
www.keyelco.com • ASTORIA, N.Y. 11105-2017 • Tel (718) 956-8900			
PART NAME		BATTERY HOLDER (1) 'C'	
MATERIAL		AS NOTED	
FINISH		DRN BY	DATE
AS NOTED		BOONE	3.20.07
		APP'D	SCALE
		LN	1.2X
TOLERANCES	INCH [MM]	CODE	DWG NO.
DECIMAL	± .010 [± 0.25]	C	173
ANGULAR	± 1°		
UNLESS OTHERWISE SPECIFIED			