

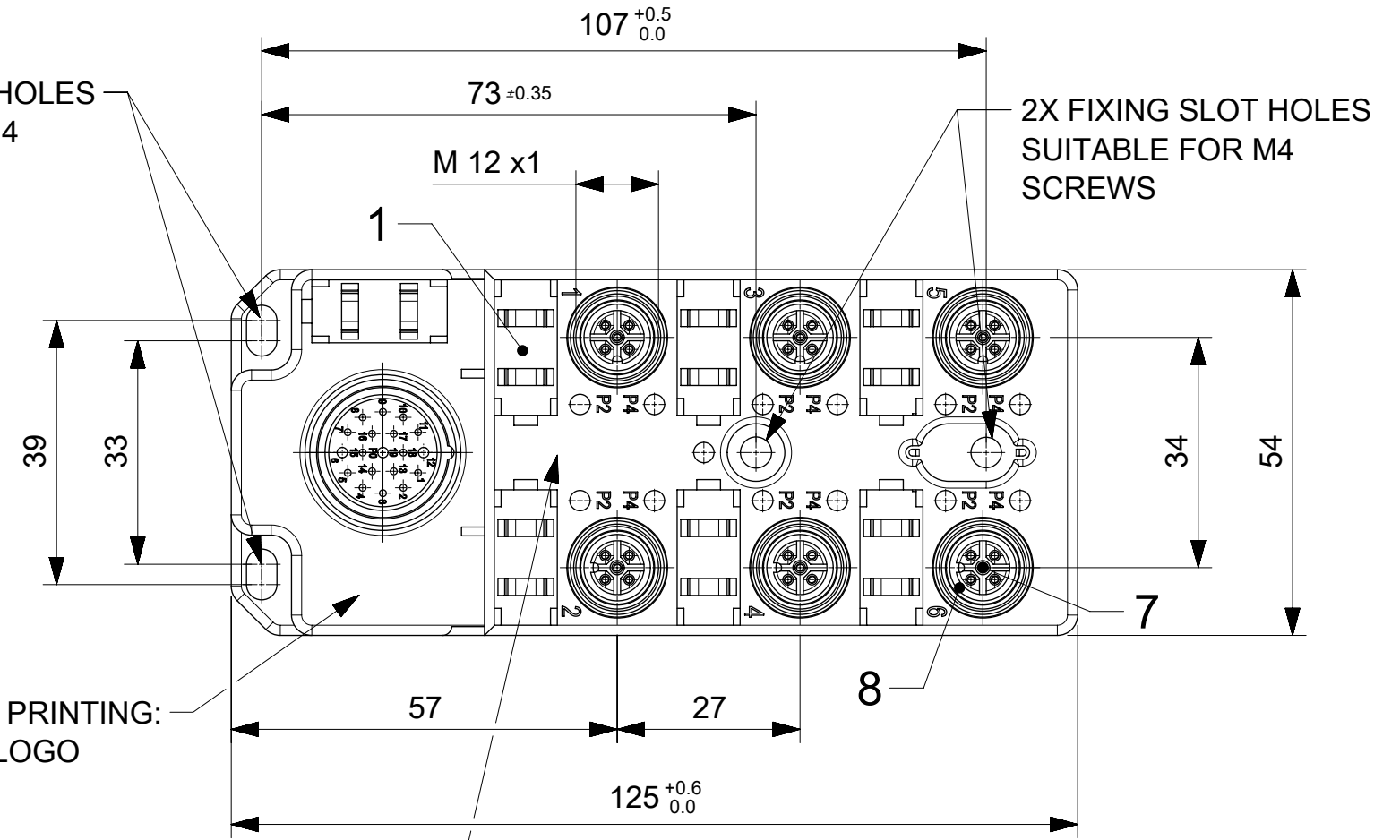
**TABLE 1**

MOLEX P/N	ENG. NO.	LED
1202480063	BTB6030-FBC	NO
1202480064	BTB603P-FBC	YES
1202480133	BTB603P-FBC	YES

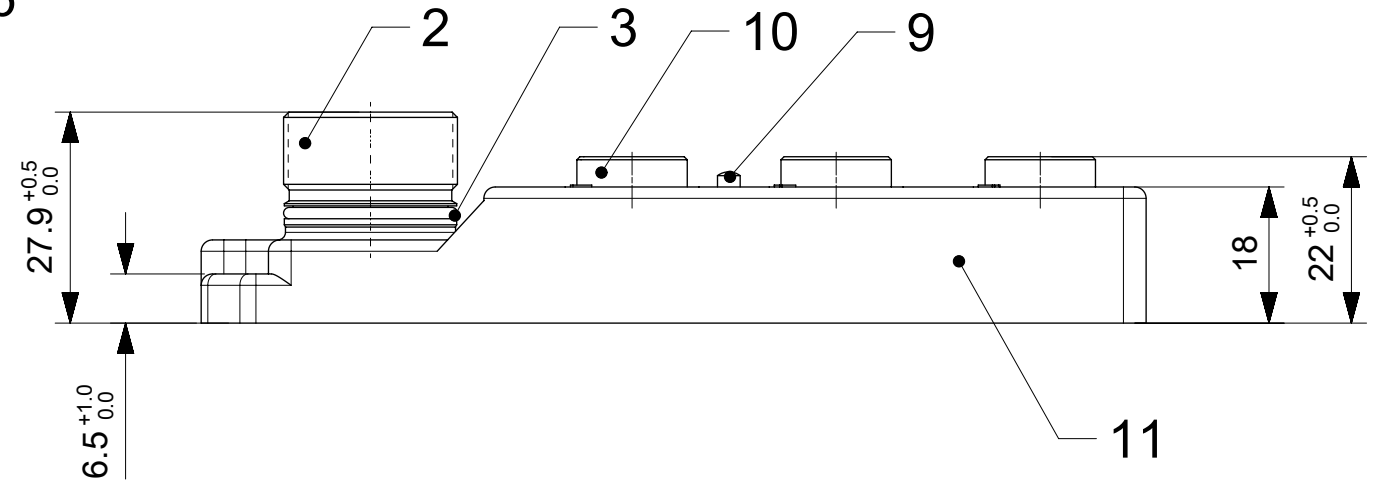
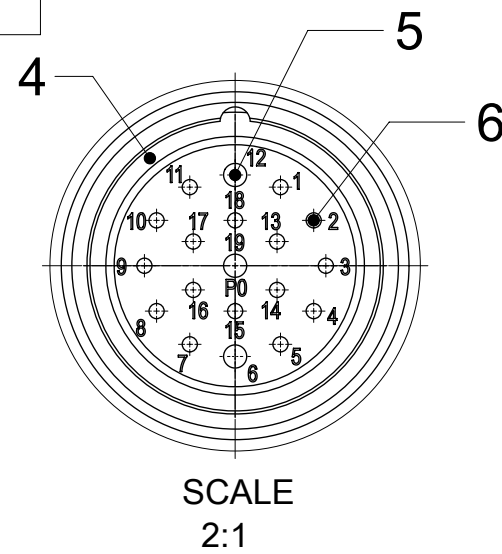
**TABLE 2 BILL OF MATERIAL**

ITEM	DESCRIPTION	MATERIAL	FINISH
1	LABEL	ABS	WHITE
2	SHELL	BRASS	NICKEL PLATED
3	O-RING	NBR	BLACK
4	O-RING	NBR	BLACK
5	CONTACT	BRASS	GOLD OVER NICKEL
6	CONTACT	BRASS	GOLD OVER NICKEL
7	CONTACT	BRONZE	GOLD OVER NICKEL
8	O-RING	FPM	RED
9	LED	NO LED = PA	BLACK
		WITH LED = PA	TRANSPARENT
10	SHELL	BRASS	NICKEL PLATED
11	HOUSING	PBT	BLACK

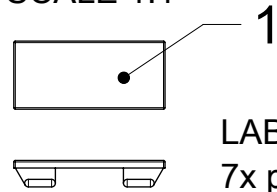
2X FIXING SLOT HOLES  
SUITABLE FOR M4  
SCREWS



LASER PRINTING:  
PN: 120248XXXX  
ENG.: BTB603X-FBC  
PO: XXXXXXXXXX



SCALE 1:1

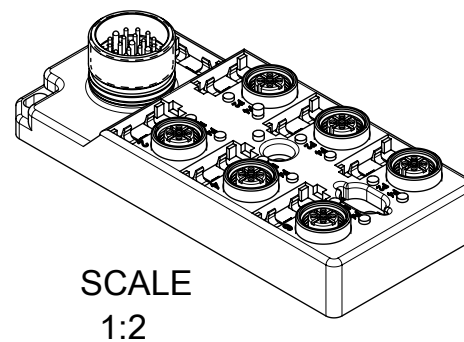


LABEL  
7x packed in a bag

**GENERAL CHARACTERISTICS:**

ELECTRICAL AND MECHANICAL DATA ACC. TO IEC 61076-2-101

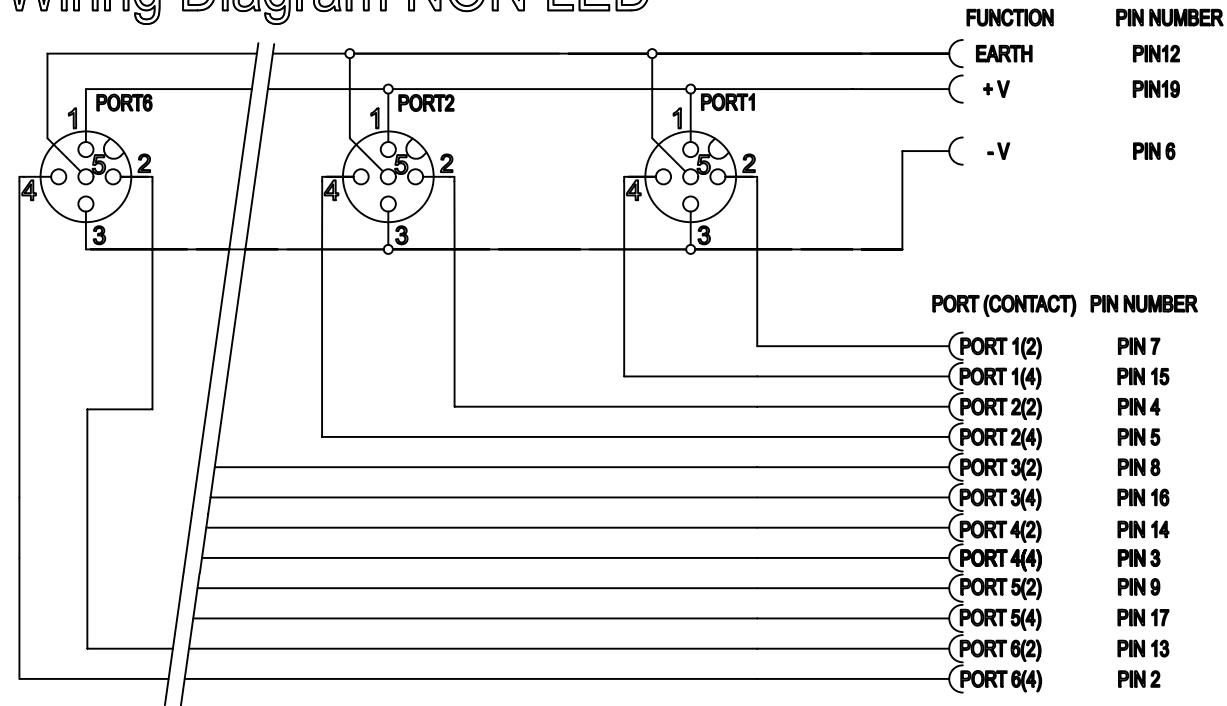
NOMINAL VOLTAGE: 10-30 V DC  
 AMPERE RATING: 4 A PER PORT / 12 A MAX  
 AMPERE RATING WITH UL REGISTRATION: 3 A PER PORT / 9 A MAX  
 IP DEGREE OF PROTECTION: IP 67  
 TEMPERATURE RANGE: -25°C to + 85°C



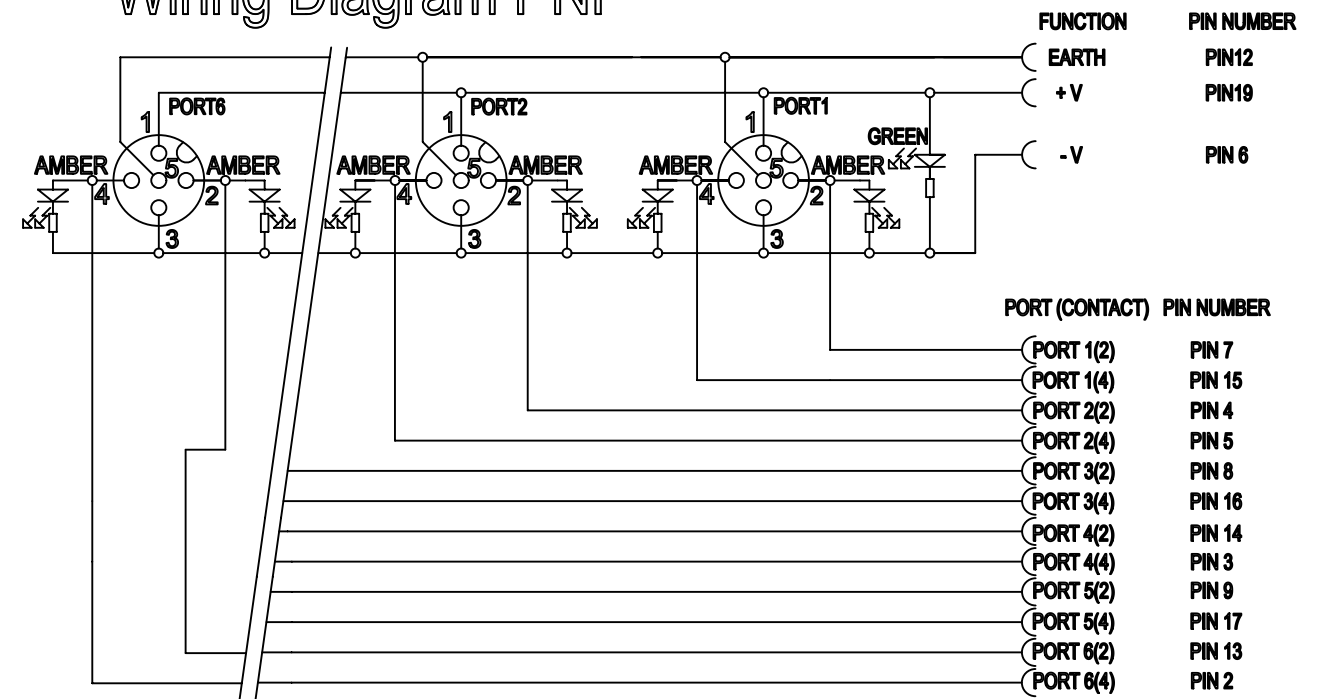
SCALE 1:2

SYMBOLS		THIS DRAWING CONTAINS INFORMATION THAT IS PROPRIETARY TO MOLEX ELECTRONIC TECHNOLOGIES, LLC AND SHOULD NOT BE USED WITHOUT WRITTEN PERMISSION	
DIMENSION UNITS	SCALE	CURRENT REV DESC: LASER PRINT UPDATE	
mm		<b>molex</b> MPIS M12 PNP NPN NOS 5P 6PT 19P M23 XM STA DUAL	
GENERAL TOLERANCES (UNLESS SPECIFIED)			
ANGULAR TOL	± °	EC NO: 606042	2018/08/31
4 PLACES	±	DRWN: SSM	2018/10/18
3 PLACES	±	CHK'D: RSILLER	2018/10/18
2 PLACES	±	APPR: RSILLER	2018/10/18
1 PLACE	±	INITIAL REVISION:	
0 PLACES	± 0.25	DRWN: AAHLERS	2015/04/07
DRAFT WHERE APPLICABLE MUST REMAIN WITHIN DIMENSIONS		APPR: RSILLER	2016/09/07
THIRD ANGLE PROJECTION		DRAWING	SERIES
		A3-SIZE	120248
MATERIAL NUMBER		CUSTOMER	SHEET NUMBER
SEE TABLE 1		GENERAL MARKET	1 OF 2

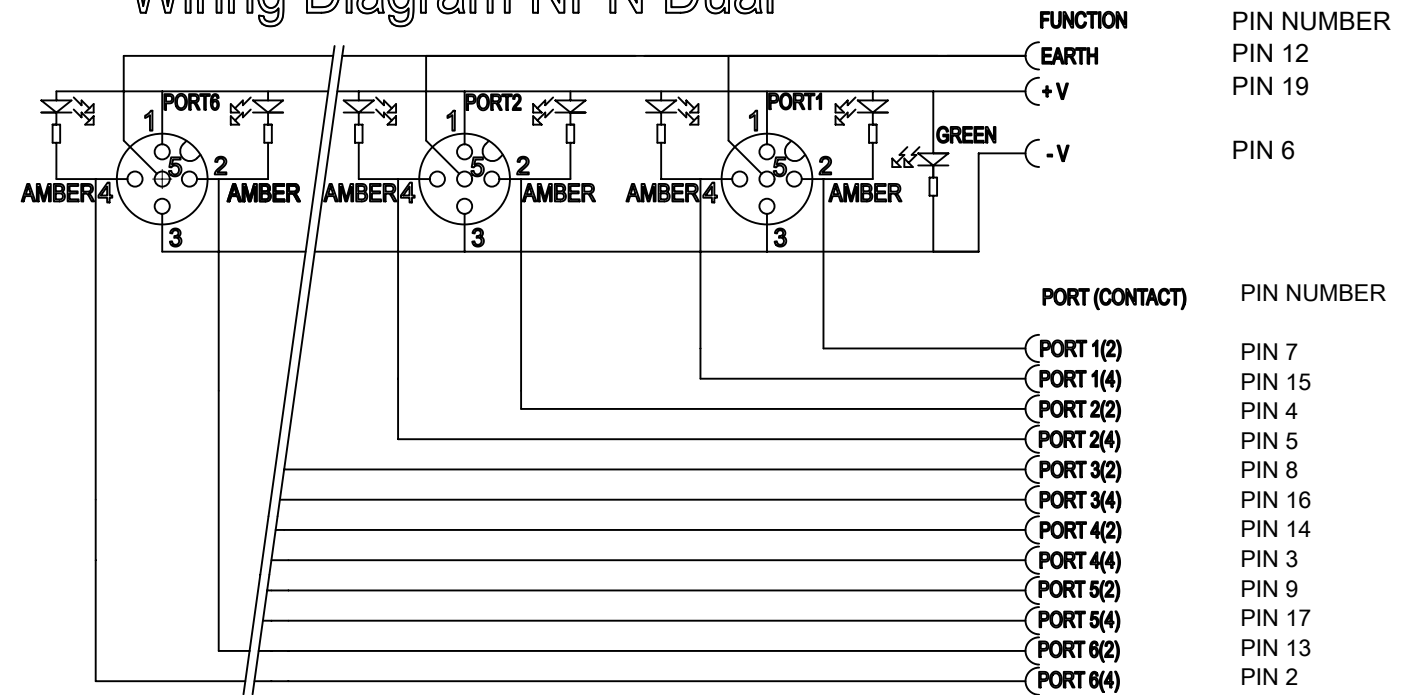
# Wiring Diagram NON LED



# Wiring Diagram PNP



# Wiring Diagram NPN Dual



<b>SYMBOLS</b> DIMENSION UNITS SCALE ▽ = 0 mm ▽ = 0 GENERAL TOLERANCES (UNLESS SPECIFIED) ▽ = 0 ANGULAR TOL ± ° ▽ = 0 4 PLACES ± ▽ = 0 3 PLACES ± ▽ = 0 2 PLACES ± ▽ = 0 1 PLACE ± ▽ = 0 0 PLACES ± 0.25 ■ = 0 DRAFT WHERE APPLICABLE MUST REMAIN WITHIN DIMENSIONS ▽ = 0	THIS DRAWING CONTAINS INFORMATION THAT IS PROPRIETARY TO MOLEX ELECTRONIC TECHNOLOGIES, LLC AND SHOULD NOT BE USED WITHOUT WRITTEN PERMISSION		CURRENT REV DESC: LASER PRINT UPDATE			
	EC NO: 606042		2018/08/31			MPIS M12 PNP NPN NOS 5P 6PT 19P M23 XM STA DUAL
	DRWN: SSM		2018/10/18			
	CHK'D: RSILLER		2018/10/18			
APPR: RSILLER		2018/10/18		PRODUCT CUSTOMER DRAWING		
INITIAL REVISION:		DOCUMENT NUMBER		DOC TYPE DOC PART REVISION		
DRWN: AAHLERS		1202480063		PSD 000 B		
APPR: RSILLER		MATERIAL NUMBER		CUSTOMER		
DRAFT WHERE APPLICABLE MUST REMAIN WITHIN DIMENSIONS		THIRD ANGLE PROJECTION		SHEET NUMBER		
		DRAWING		2 OF 2		
		SERIES				
		A3-SIZE				
		120248				
		SEE TABLE 1				
		GENERAL MARKET				