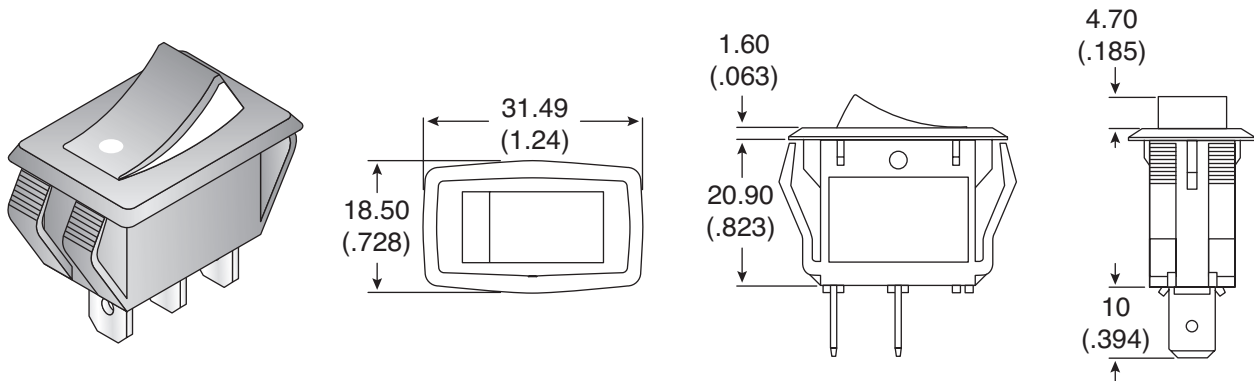
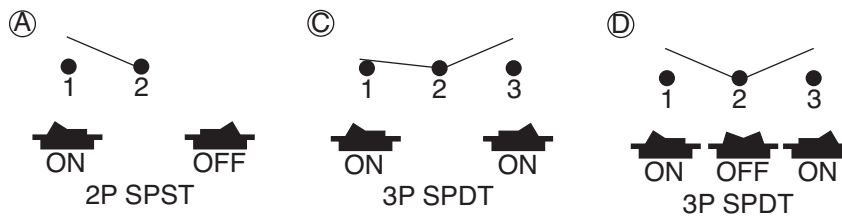


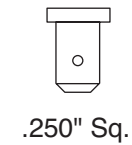
Dimensions: mm (In.)



Function



Terminal



Rocker



Electrical Specifications:

- Rating: 16A/125VAC; 10A/250VAC
- Contact resistance: 50mΩ max.
- Insulation resistance: 500VDC 100MΩ min.
- Dielectric strength: 1500VAC for 1 min.

Note:

- RoHS Compliant

Cut-out		
	X	Y
	X	Y
0.75~1.25	27.6-0.1	13.8+0.1
1.25~2	27.8-0.1	13.8+0.1
2~3	28.0-0.1	13.8+0.1

Mouser Stock No.	Button	Function	Rocker
103-R13-205A3-01-EV	Black	A	3
103-R13-205A2-01-EV	Black/Red Indicator	A	2
103-R13-205C3-01-EV	Black	C	3
103-R13-205D3-01-EV	Black	D	3

Rocker Switches

103-R13-205A3-01-EV, 103-R13-205A2-01-EV,  
103-R13-205C3-01-EV, 103-R13-205D3-01-EV

