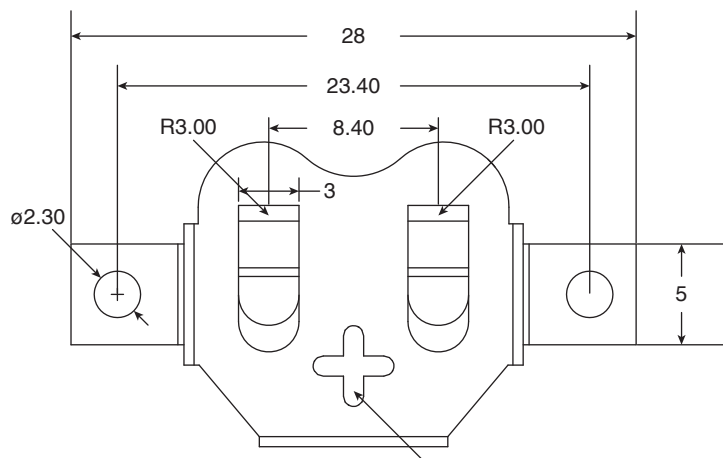
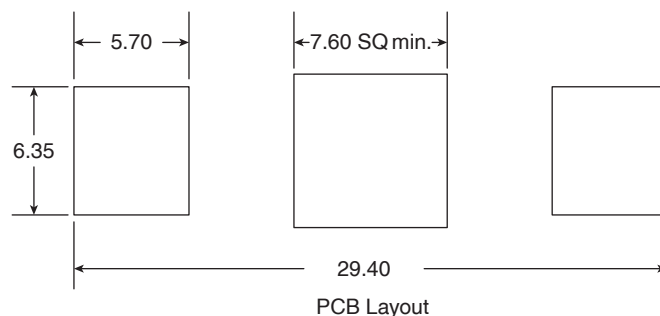
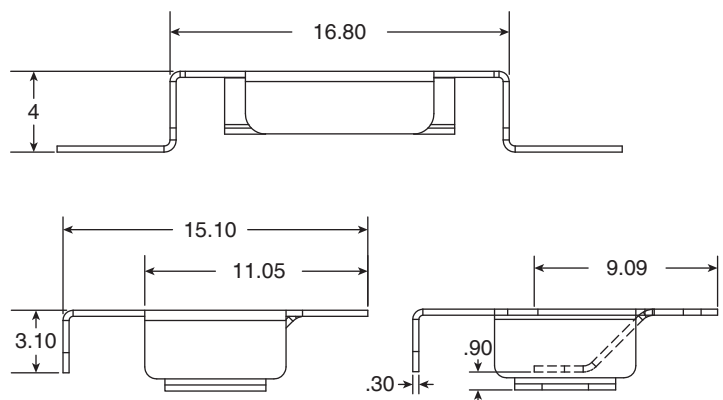
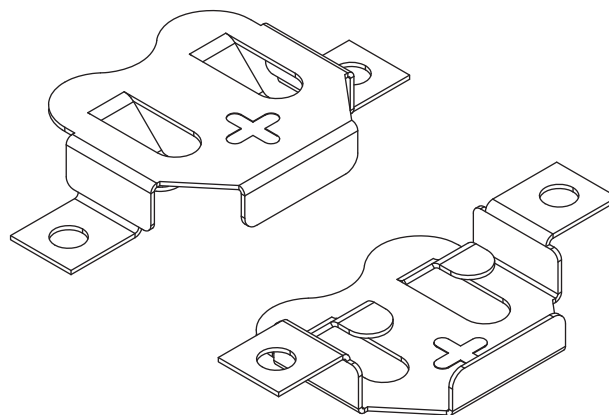


DIMENSIONS: mm.



Stamped Polarity Marking (+)



SPECIFICATIONS

Material:	.30mm Phosphor Bronze 1/2H, Nickel Plated 4" - 6μ"
Battery Size:	CR1612, CR1616, and CR1620
RoHS Compliant	