

UNCONTROLLED DOCUMENT

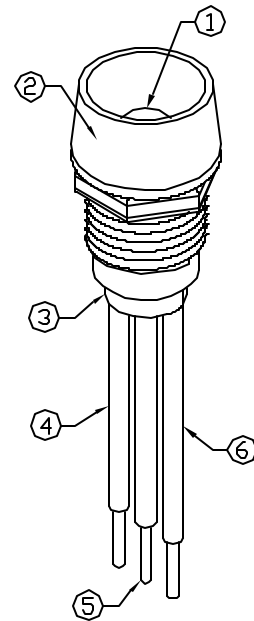
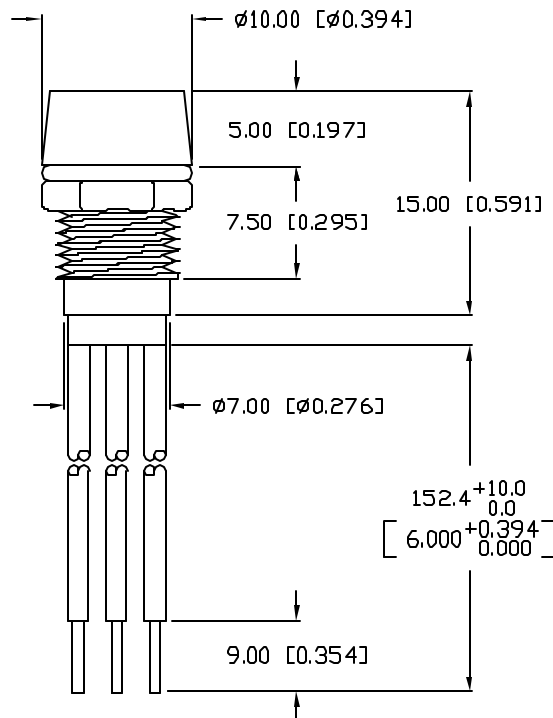
SC:0.50

PART NUMBER

REV.

SSI-LXR4815SYSU3B6

PRELIMINARY IN P/N DIR



ELECTRO-OPTICAL CHARACTERISTICS  $T_A=25^\circ\text{C}$   $I_f=20\text{mA}$

PARAMETER	MIN	TYP	MAX	UNITS	TEST COND
PEAK WAVELENGTH		590 (YELLOW)		nm	
		574 (GREEN)		nm	
FORWARD VOLTAGE (Y/G)		2.0/2.2	2.5/2.6	V <sub>f</sub>	
REVERSE VOLTAGE	5.0			V <sub>r</sub>	I <sub>f</sub> =100μA
AXIAL INTENSITY (Y/G)		400/200		mcd	I <sub>f</sub> =20mA
VIEWING ANGLE		60		2x theta	
EMITTED COLOR:	YELLOW/GREEN				
EPOXY LENS FINISH:	MILKY WHITE DIFFUSED				

LIMITS OF SAFE OPERATION AT 25°C

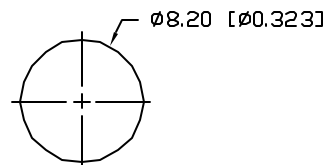
PARAMETER	COLORS	MAX	UNITS
PEAK FORWARD CURRENT*		150	mA
STEADY CURRENT		30/25	mA
POWER DISSIPATION	(Y/G)	105	mW
DERATE FROM 25°C		-1.2	mW/°C
OPERATING, STORAGE TEMP.		-40 TO +85	°C
SOLDERING TEMP.		+260	°C
2.0mm FROM BODY			3 SEC. MAX

\*  $t < 10\mu\text{s}$

NOTES:

1. SSL-LX5099SYSUGW, YELLOW/GREEN LED. TRIM LEADS TO 7mm.
2. SSI-LXR4815-B, BLACK ANODIZED HOUSING.
3. SSH-LXH4815BSC-3, BLACK NYLON BUSHING.
4. YELLOW ANODE LEAD: LXP-WST24RDT0C, RED INSULATION, CUT 160mm, STRIP 4.0mm & 9.0mm.
5. COMMON CATHODE LEAD: LXP-WST24BLT0C, BLACK INSULATION, CUT 160mm, STRIP 4.0mm & 9.0mm.
6. GREEN ANODE LEAD: LXP-WST24GRT0C, GREEN INSULATION, CUT 160mm, STRIP 4.0mm & 9.0mm.
7. NO EXPOSED WIRE ALLOWED BEYOND END OF BUSHING.

PANEL CUTOUT



\*UNLESS OTHERWISE SPECIFIED TOLERANCES PER DECIMAL PRECISION ARE: X=±1 (±0.039), XX=±0.5 (±0.020), XXX=±0.25 (±0.010), XXXX=±0.127 (±0.005). LEAD SIZE=±0.05 (±0.002), LEAD LENGTH=±0.75 (±0.030), MIN=+0.00 -0.00 DECIMAL PRECISION MAX.=+0.00 -0.00 DECIMAL PRECISION

UNCONTROLLED DOCUMENT

REV.

PART NUMBER

SSI-LXR4815SYSU3B6

CONFIDENTIAL INFORMATION  
THE INFORMATION CONTAINED IN THIS DOCUMENT IS THE PROPERTY OF LUMEX INC. EXCEPT AS SPECIFICALLY AUTHORIZED IN WRITING BY LUMEX INC, THE HOLDER OF THIS DOCUMENT SHALL KEEP ALL INFORMATION CONTAINED HEREIN CONFIDENTIAL AND SHALL PROTECT SAME IN WHOLE OR IN PART FROM DISCLOSURE AND DISSEMINATION TO ALL THIRD PARTIES.



290 E. HELEN ROAD  
PALATINE, IL 60067-6976  
PHONE: +1.847.359.2790  
US WEB: www.lumex.com  
TW WEB: www.lumex.com.tw

T-5mm YELLOW/GREEN PANEL INDICATOR LED,  
MILKY WHITE DIFFUSED LENS, 6" WIRES, COMMON CATHODE.

RELIABILITY NOTE  
OUR MANY YEARS OF EXPERIENCE DATA ACCUMULATION INDICATE THAT SOLDER HEAT IS A MAJOR CAUSE OF EARLY AND FUTURE FAILURE. PLEASE PAY ATTENTION TO YOUR SOLDERING PROCESS.

DRAWN BY:

CHECKED BY:

APPROVED BY:

DATE: 05.22.08

JN

PAGE: 1 OF 1

SCALE: N/A