

# MICRO SWITCH

A DIVISION OF MINNEAPOLIS-HONEYWELL REGULATOR COMPANY  
 FREEPORT, MINNESOTA

FED. MFR. CODE 91929

# ACTUATOR - SWITCH

CATALOG LISTING  
**ADT3723R**

ADT3723R

M

DRAWING NUMBER

X2

ISSUE 34

REPLACES

RELEASE NO. SR 9486

CHECK

REVISIONS

A	SR 9486	K L B	15 FEB 61
B	CO 21727	M B F	29 AUG 66
C	CO79826	DLT	11 JAN 95

CHECK

22 FEB 61

CHECK

CHECK

CHECK

CHECK

CHECK

18 JAN 61

18 JAN 61

18 JAN 61

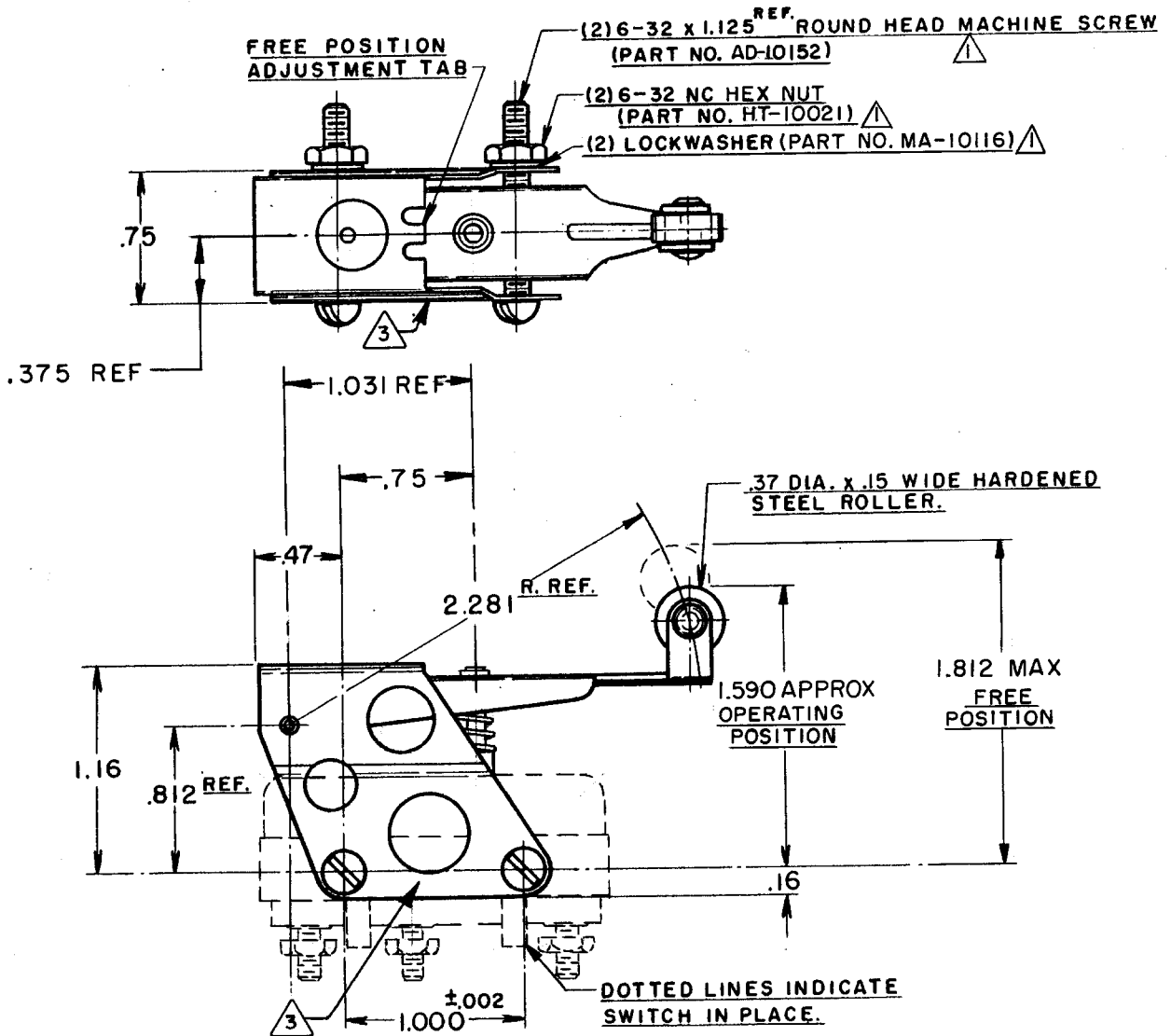
18 JAN 61

18 JAN 61

18 JAN 61

18 JAN 61

18 JAN 61



THIS DRAWING COVERS A PROPRIETARY ITEM AND IS THE PROPERTY OF MICRO SWITCH, A DIVISION OF MINNEAPOLIS-HONEYWELL REGULATOR CO. THIS DRAWING IS NOT TO BE COPIED OR USED WITHOUT THE APPROVAL OF MICRO SWITCH.

**CHARACTERISTICS WITH 2HT1 BASIC SWITCH INSTALLED**

OPERATING FORCE	--- 1 1/2 LB MAX
RELEASE FORCE	--- 1/8 LB MIN
DIFFERENTIAL TRAVEL	--- .030 MAX
OVERTRAVEL	--- .375 APPROX

**ELECTRICAL DATA**

CONTACT ARRANGEMENT      BREAK DISTANCE

SCALE FULL

DO NOT SCALE PRINT

UNLESS OTHERWISE SPECIFIED  
 DIMENSIONS ARE IN INCHES  
**TOLERANCES ARE:**  
 ONE PLACE (.0) ±.030  
 TWO PLACE (.00) ±.015  
 THREE PLACE (.000) ±.005  
 ANGLES ±

WEIGHT

FO-50378

DRAWN

18 JAN 61