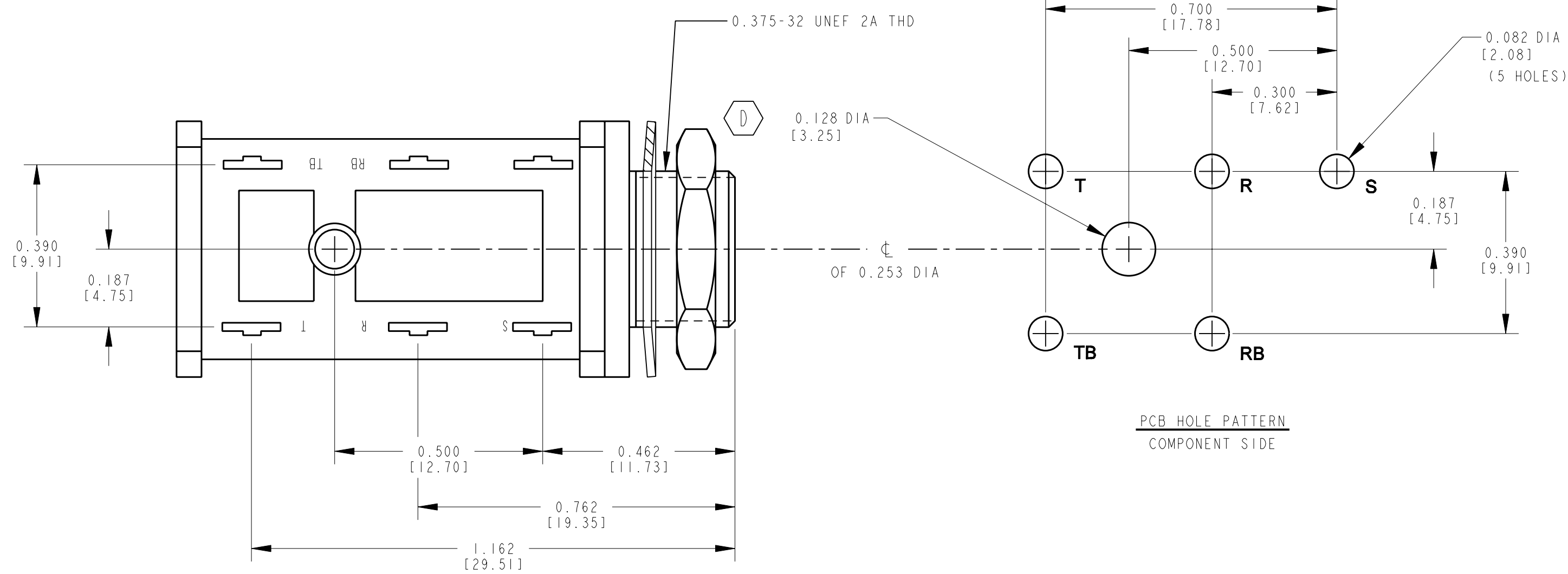


**MATERIAL SPECIFICATIONS**  
 HOUSING: BLACK THERMOPLASTIC  
 POLYESTER, 94V0  
 CONTACT SPRINGS: TIN PLATED  
 SPRING TEMP. NICKEL SILVER.  
 HARDWARE: NICKEL PLATED BRASS.

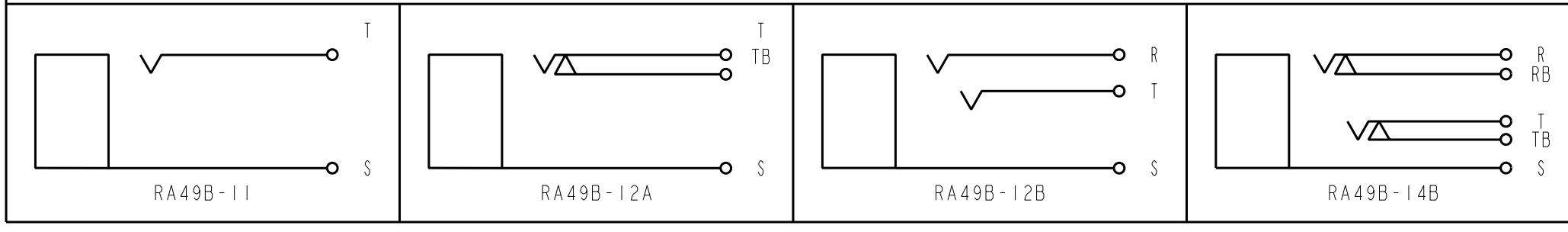


PCB HOLE PATTERN  
 COMPONENT SIDE

CUSTOMER DRAWING

CAD/CAM DWG. NO.  
 s.ra49b\_cd  
 SHEET 1 OF 1

SCHMATIC



REVISIONS				UNLESS OTHERWISE SPECIFIED				FINISH				MATERIAL					
ISSUE	CHANGE NO.	DATE	BY	APP'D	SIZE	WIDTH	MULT	LBS./M	TEMPER	FINISH	SPEC. NO.	SCALE	MATERIAL	SPEC. NO.			
E	ECO #19704	3-24-95	RC	GHJ								1 = 0.25					
D	ECO#15763	2-16-90	LR	VL													
C	ECO 15105	10-11-89	TW	VL													
B	RELEASED TO PROD	4-21-89	RLD	AS													
0A	PRELIM CUST DWG	3-11-88	RLD														
				1. ALL DIMENSIONS IN INCHES 2. DECIMAL DIMENSIONS ±.005 3. FRACTIONAL DIMENSIONS ±1/64 4. ANGLES ±1/2° 5. ALL DIA'S CONCENTRIC WITHIN .005 T.I.R. 6. REMOVE ALL BURRS 7. MAKE NO DIMENSIONAL ALLOWANCES FOR APPLIED FINISHES, I.E., PLATING, PAINTING, ETC. 8. HOLES ON THE SAME CENTERLINE MUST BE ALIGNED WITHIN ±.002				THIS DRAWING DESCRIBES A DESIGN CONSIDERED PROPRIETARY IN NATURE, DEVELOPED AND MANUFACTURED BY SWITCHCRAFT INC. AND IS RELEASED ON A CONFIDENTIAL BASIS FOR IDENTIFICATION PURPOSE ONLY.									
										DATE DRAWN: 3-11-88		BY: RLD		CHK'D: VL		APP'D: AS	
										NAME: JACK ASSY (INSULATED BUSHING)				PART NO.: RA49B-SER		ISSUE: E	

