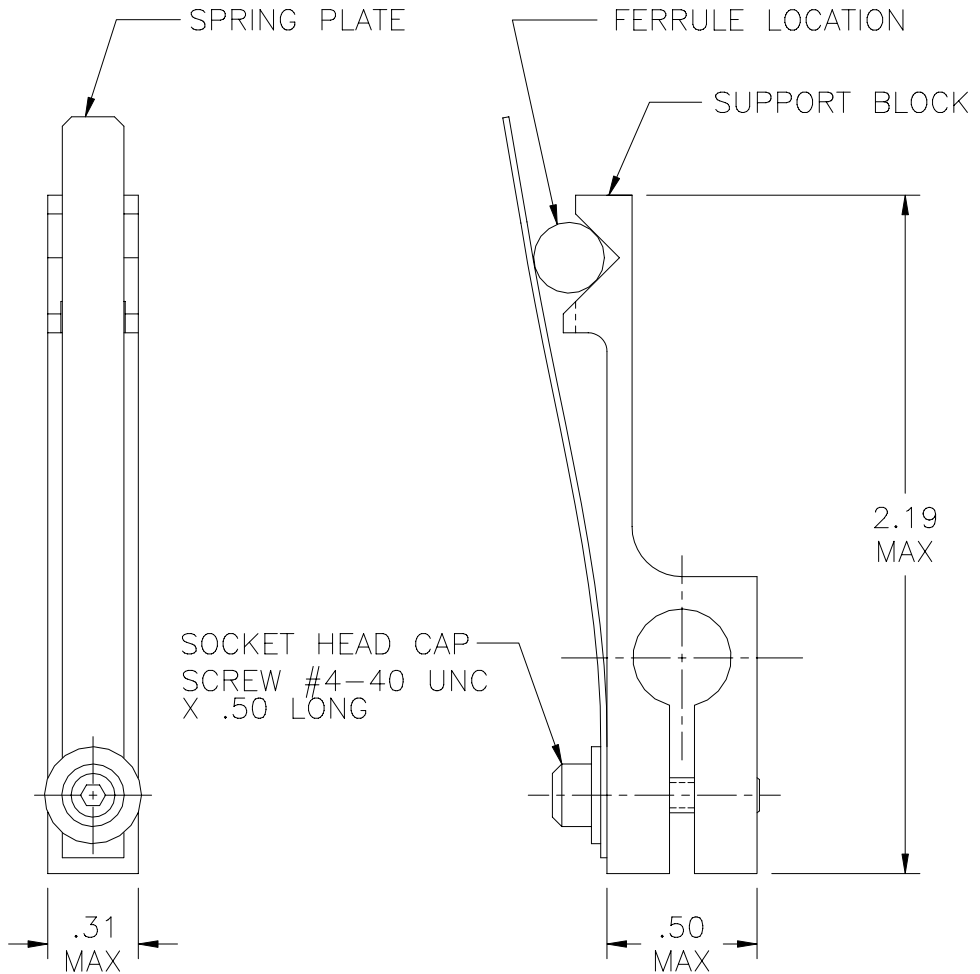


REVISIONS			
LTR	DESCRIPTION	DATE	APPROVED
A	REDRAWN/REFORMATED IN ENGLISH, DCR #T986008	6/3/98	GMR



NOTES:

1. THIS SUPPORT DEVICE IS DESIGNED FOR USE DURING TERMINATION OF A SOLDERSHIELD DEVICE TO A HEXASHIELD FERRULE. IT IS TO BE USED IN CONJUNCTION WITH THE AD-1319 HOLDING FIXTURE. REFER TO THE APPLICABLE PROCEDURES FOR INSTALLATION INSTRUCTIONS.

If this document is printed it becomes uncontrolled.
Check with the web for latest revision.

SPECIFICATION CONTROL DRAWING

UNLESS OTHERWISE SPECIFIED
DIMENSIONS ARE IN INCHES.
METRIC DIMENSIONS ARE
IN BRACKETS.

DECIMALS

.XXX ± — [mm]
.XX ± — [mm]
.X ± — [mm]

ANGLES

.X ± —

DRAWN G.ROSITANO	DATE 6/1/98
CHECKED	DATE
APPROVED	DATE
APPROVED E.STADLER	DATE 6/3/98
CAD NAME 188SCD	

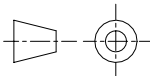
Raychem

RAYCHEM CORPORATION
300 CONSTITUTION DRIVE
MENLO PARK, CALIFORNIA 94025

TITLE

HOLDING FIXTURE
ASSEMBLY

THIRD ANGLE
PROJECTION



SIZE A	CODE IDENT. NO. 06090	DWG. NO. ECE-0188	REV A
-----------	--------------------------	----------------------	----------