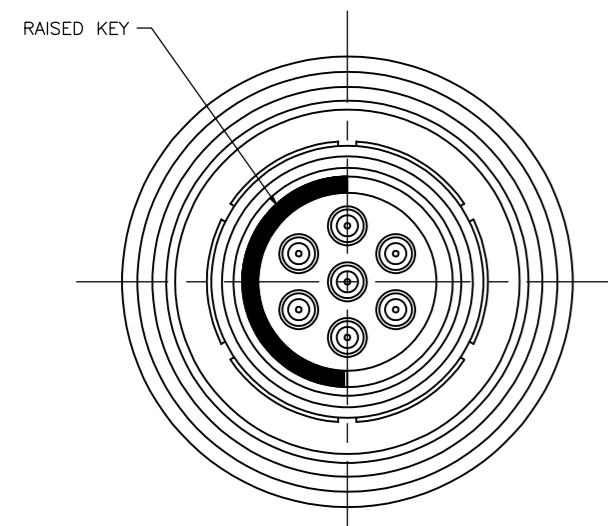
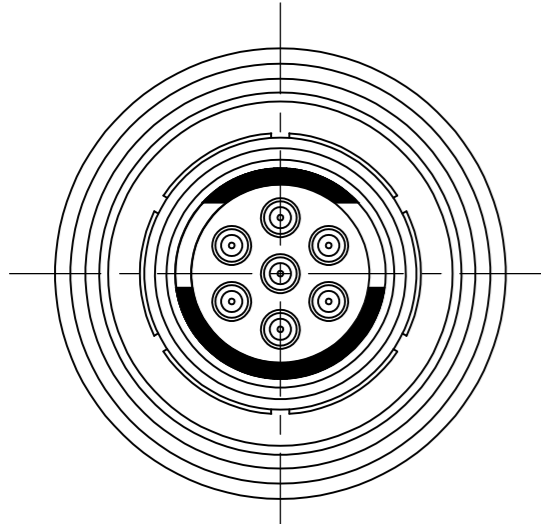


THIS DRAWING IS UNPUBLISHED. RELEASED FOR PUBLICATION
 © COPYRIGHT - By - ALL RIGHTS RESERVED.

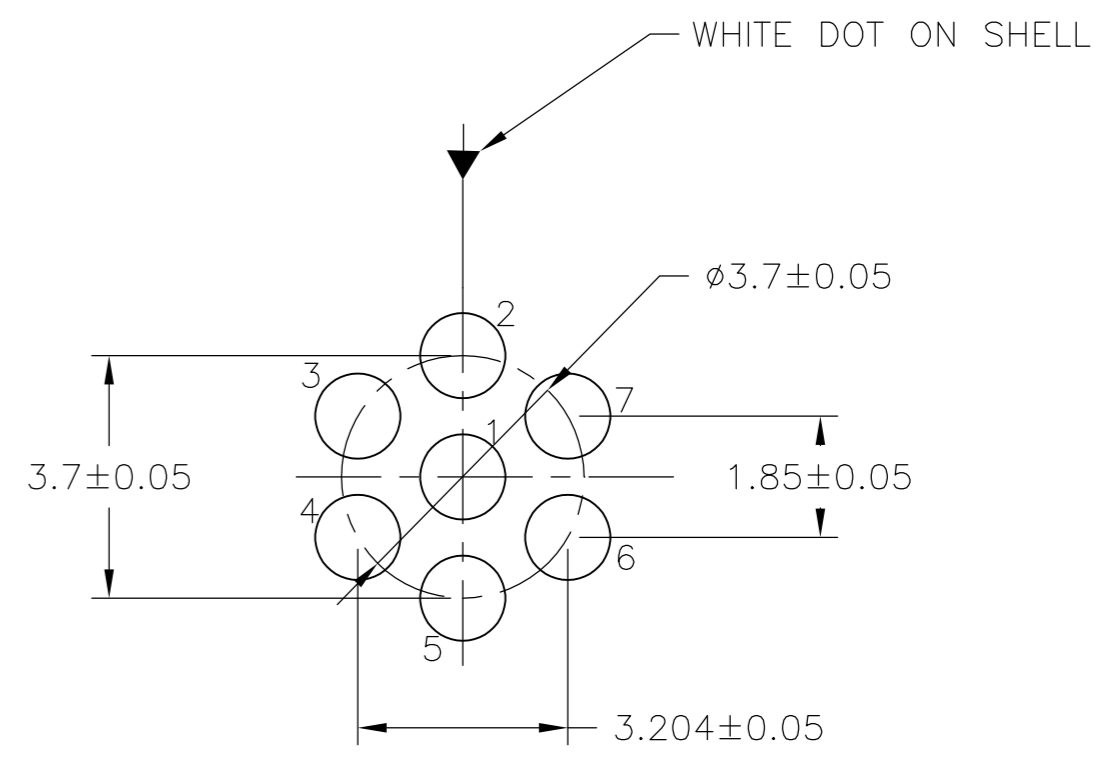
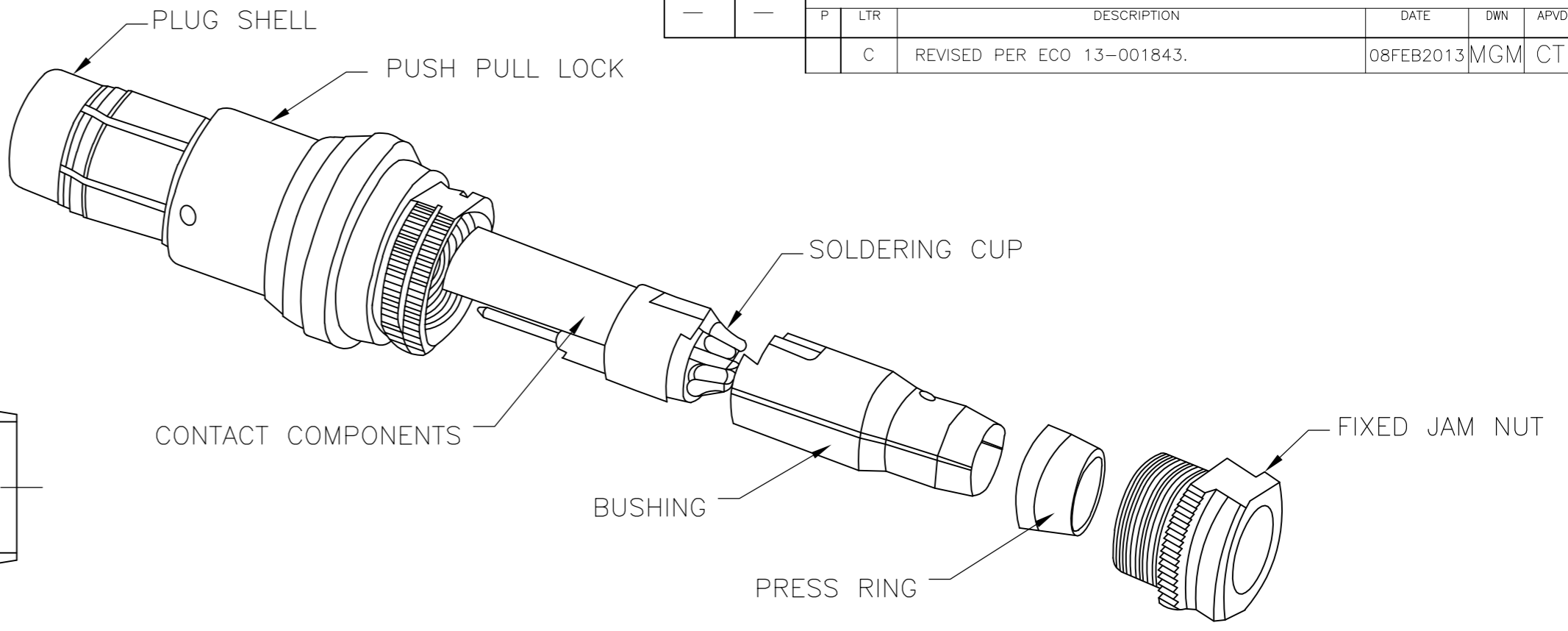
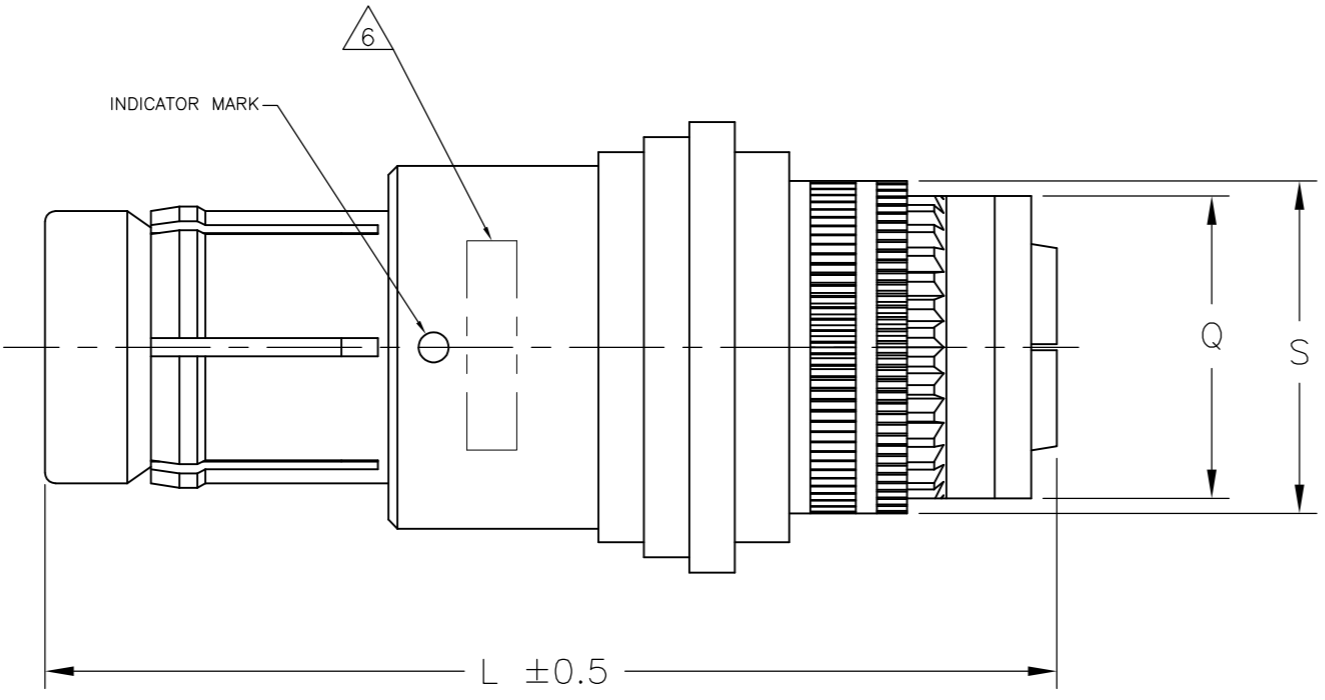
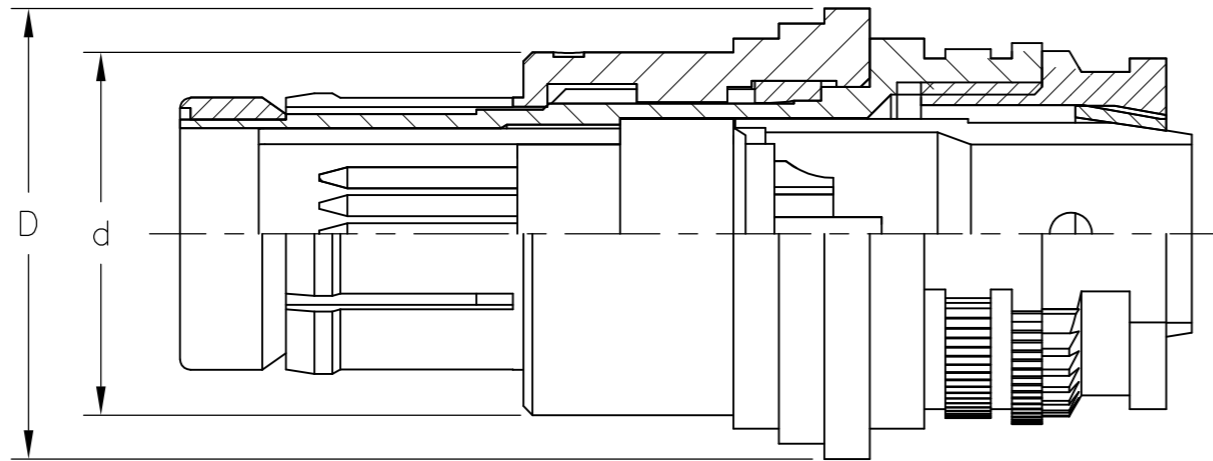
LOC		DIST		REVISIONS			
P	LTR	DESCRIPTION	DATE	DWN	APVD		
C		REVISED PER ECO 13-001843.	08FEB2013	MGM	CT		



SINGLE POLARIZATION



DOUBLE POLARIZATION



CAVITY IDENTIFICATION WHEN VIEWED FROM REAR OF CONNECTOR

- 1. DWV RATING 875 VAC @ SEA LEVEL
- 2. WIRE SIZE: 24 AWG MAX
- 3. WORKING TEMPERATURE: -55°C ~ +125°C

4 MATERIAL:
 CONTACT : COPPER ALLOY
 SHELL : COPPER ALLOY
 INSULATOR : PEEK

5 FINISH
 CONTACT: GOLD OVER NICKEL
 SHELL : BLACK CHROMIUM

6 PART IS MARKED WITH TE PART NUMBER, CHINA, DATE CODE AND LOT I.D.

7 ALL TOLERANCES TO BE ±0.20 MM UNLESS NOTED.

CHROMIUM-BLACK	DOUBLE	SOLDERING	10	11	33.45	∅12	∅14.9	2	2101550-2
CHROMIUM-BLACK	SINGLE	SOLDERING	10	11	33.45	∅12	∅14.9	2	2101550-1
FINISH	POLARIZATION	TERMINATION	Q	S	L	d	D	SHELL SIZE	TE PART NUMBER

THIS DRAWING IS A CONTROLLED DOCUMENT.

DWN	21AUG2009	C.C THOMAS
CHK	21AUG2009	R. GROSS
APVD	21AUG2009	R. GROSS
PRODUCT SPEC	108-127005	
APPLICATION SPEC	-	
WEIGHT	-	-
CUSTOMER DRAWING	SCALE	NTS

TE Connectivity

CIRCULAR HD PLUG WITH PINS, SOLDER CUP 7 POS.

SIZE	A2	CAGE CODE	00779	DRAWING NO	C=2101550	RESTRICTED TO	-
SHEET	1	OF	1	REV	C		