

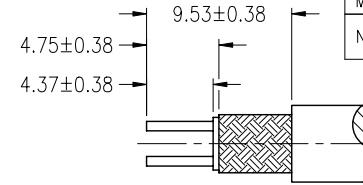
NOTES:

- MATERIALS AND FINISHES(PLATING THICKNESS IN MICRO-INCHES):
 BODY - BRASS, NICKEL PLATING
 CONTACT - BRASS & BERYLLIUM COPPER, GOLD PLATING
 INSULATOR - PTFE, NATURAL
- ELECTRICAL:
 A. DIELECTRIC WITHSTANDING VOLTAGE: 1500 VRMS, MIN.
- MECHANICAL:
 A. DURABILITY: 200 CYCLES MIN.
 B. TEMPERATURE RANGE: -65°C to +165°C
- CONTACT PIN TO SOLDER
- MUST STAMP "31-2226-1051" AND "A0361629" BOTH PART NO. ON THE PACKING BAG.
- CUSTOMER NOTE: ITEMS 1, 2, 3, 4, 5, AND 6 ARE ASSEMBLED PRIOR TO SOLDERING ITEM 7 AND 8, AFTER SOLDERING ITEMS 7 AND 8 IN PLACE, ITEM 9 IS SLIPPED ONTO ITEM 7 AND 8, THE COMPLETED ASSEMBLY IS PUSHED INTO ITEM 10 AND SECURELY RETAINED BY WRENCH TIGHTENING ITEM 1
- THIS PART MATES WITH 31-2225.

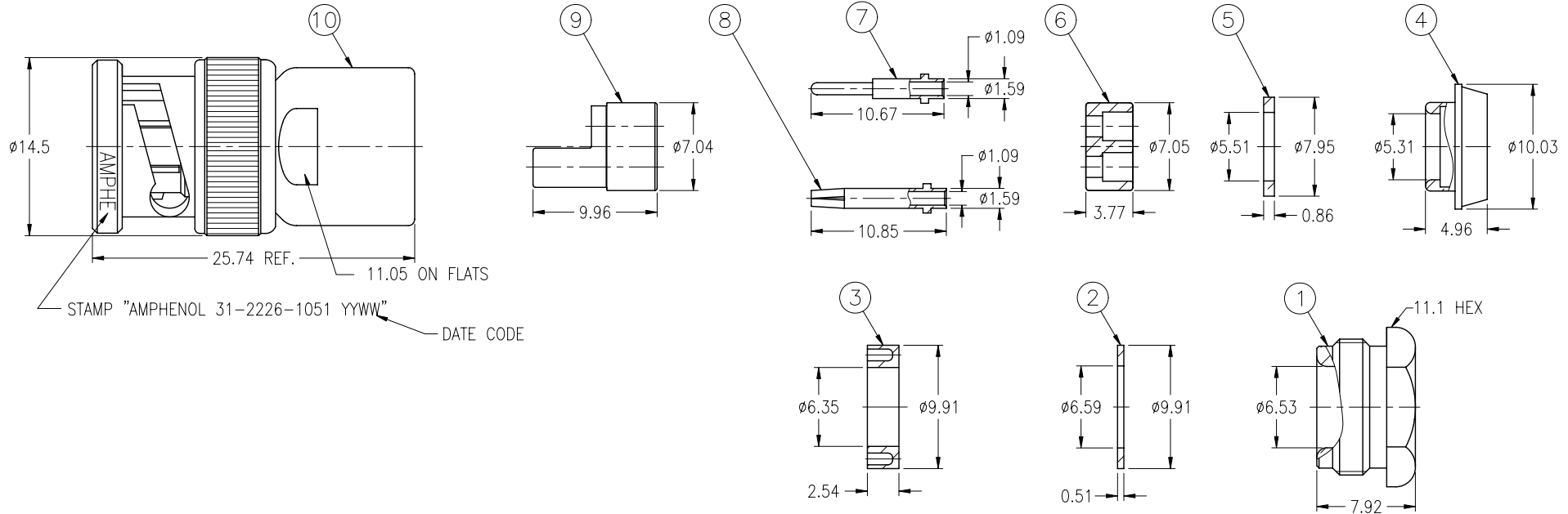
THIRD ANGLE PROJ.

REVISIONS

REV	DESCRIPTION	DATE	ECO	APPR
A2	SEE SHEET 1	20-Nov-03	--	TOM
A3	SEE SHEET 1	25-Feb-04	--	TOM
B	SEE SHEET 1	05-Mar-08	--	AW
M	SEE SHEET 1	12-Jan-10	47921	SH
N	REF BLOCK TAKE REV'S OFF THE SPECS;STAMP A0361629 WAS A0361626\RD-DM11071101R3	02-Aug-11	48675	SH



RECOMMENDED CABLE STRIPPING DIM'S



CUSTOMER OUTLINE DRAWING

ALL OTHER SHEETS ARE FOR INTERNAL USE ONLY

UNLESS OTHERWISE SPECIFIED, DIMENSIONS ARE IN METRIC AND TOLERANCES ARE:
 < 0.5mm ±0.05mm 0.5 - 6mm ±0.1mm 6 - 30mm ±0.2mm 30 - 120mm ± 0.3mm ANGLES ±1°

NOTICE - These drawings, specifications, or other data (1) are, and remain the property of Amphenol Corp. (2) must be returned upon request; and (3) are confidential and not to be disclosed to any person other than those to whom they are given by Amphenol Corp. The furnishing of these drawings, specifications, or other data by Amphenol Corp., or to any other person to anyone for any purpose is not to be regarded by implication or otherwise in any manner licensing, granting rights or permitting such holder or any other person to manufacture, use or sell any product, process or design, patented or otherwise, that may in any way be related to or disclosed by said drawings, specifications, or other data.

MATERIAL	
REFERENCE	QDR 310448-51 DECODED TO NORTHERN TELECOM P/N A0361629, P/N NPS 25293 SIMILAR TO 31-224
FINISH	

DRAWN	R.MAO	DATE	22-Jul-11
ENGINEER	C.WANG	DATE	22-Jul-11
APPROVED	S.HSIEH	DATE	22-Jul-11
CAD FILE	F:\DWG\CNPD\31\2226\1051-NSZ		

TITLE	SPECIAL PLUG (TWIN CONTACT) BNC LOW VOLTAGE (RG-108/U, RG-108A/U)		
SCALE:	2/1	SHEET	2 OF 2
DWG SIZE	B	CODE ID	74868
REV	N		

Amphenol RF	
Danbury CT USA, Tainan Taiwan, Shenzhen China www.amphenolrf.com	
DRAWING NO.	31-2226-1051
ITEM NO.	31-2226-1051
PART NO.	31-2226-1051