



Main

| | |
|------------------------------------|---------------------|
| Range of product | Harmony XVU |
| Product or component type | Modular tower light |
| Beacon or indicator bank unit type | Base unit |
| Mounting diameter | 2.36 in (60 mm) |
| Component name | XVU |
| Housing colour | Black |

Complementary

| | |
|---------------------------|---|
| Kit composition | Base unit Cover |
| Fixing mode | Direct or tube fixing |
| Material | PC (polycarbonate) V-0 flame retardant conforming to UL 94 PBT (polybutylene terephthalate) V-0 flame retardant conforming to UL 94 ABS (acrylonitrile butadiene-styrene) V-0 flame retardant conforming to UL 94 |
| Assembly style | Customer assembly, up to 5 units |
| [Us] rated supply voltage | 24 V AC/DC (tolerance: - 15...10 %) |
| Current consumption | <= 400 mA |
| Length | 3.03 in (77 mm) |
| Product weight | 0.24 lb(US) (0.11 kg) |

Environment

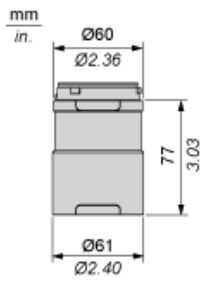
| | |
|---------------------------------------|----------------------------|
| product certifications | CE CSA RoHS UL |
| ambient air temperature for storage | -40...158 °F (-40...70 °C) |
| ambient air temperature for operation | -13...122 °F (-25...50 °C) |
| vibration resistance | 2 gn |
| IP degree of protection | IP65 |

Offer Sustainability

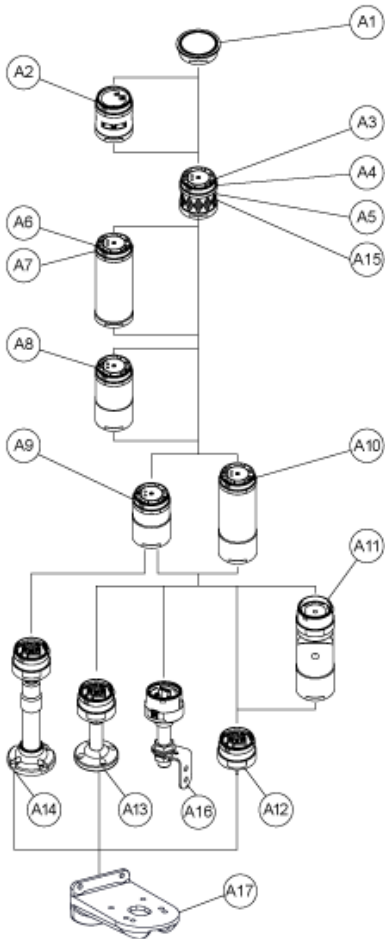
| | |
|--|--|
| Green Premium product | Green Premium product |
| Compliant - since 1529 - Schneider Electric declaration of conformity | Compliant - since 1529 - Schneider Electric declaration of conformity |
| Reference not containing SVHC above the threshold | Reference not containing SVHC above the threshold |
| Available | Available |
| Available | Available |
| WARNING: This product can expose you to chemicals including: | WARNING: This product can expose you to chemicals including: |
| Lead and lead compounds, which is known to the State of California to cause cancer and birth defects or other reproductive harm. | Lead and lead compounds, which is known to the State of California to cause cancer and birth defects or other reproductive harm. |
| For more information go to www.p65warnings.ca.gov | For more information go to www.p65warnings.ca.gov |

Base Unit DC

Dimensions



Modular Tower Lights Mounting

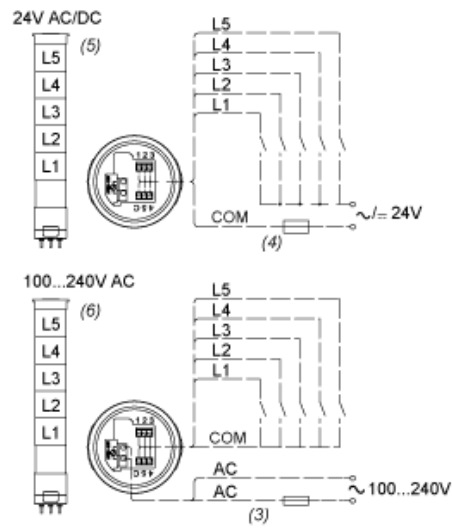
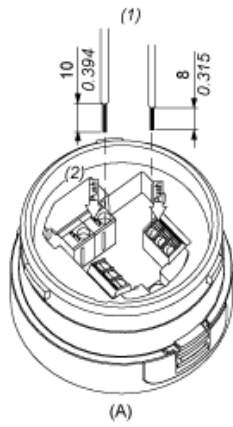


| Drawing | Part number | Part name |
|---------|-------------|----------------------|
| A1 | - | Top cover |
| | - | Top cover (Silver) |
| A2 | XVUC9S | Buzzer unit |
| | XVUC9SQ | Buzzer unit (Silver) |
| A3 | XVUC23 | Green LED unit |
| | XVUC24 | Red LED unit |
| | XVUC25 | Orange LED unit |
| | XVUC26 | Blue LED unit |
| | XVUC27 | White LED unit |
| | XVUC28 | Yellow LED unit |
| A4 | XVUC29 | Multi-LED unit |

| | | |
|------------|-----------|---|
| A5 | XVUC29P | Multi-LED unit, Pulse signal |
| A6 | XVUC9V | Sound unit |
| A7 | XVUC9VP | Sound unit, Pulse signal |
| A8 | XVUC020 | Extender |
| | XVUC020Q | Extender (Silver) |
| A9 | XVUC21B | DC body |
| | XVUC21BQ | DC body (Silver) |
| A10 | XVUC21M | AC body NPN |
| | XVUC21MP | AC body PNP |
| | XVUC21MQP | AC body PNP (Silver) |
| A11 | XVUZ06 | Flexible option |
| A12 | XVUZ01 | Fixing Unit - Direct mounting (3 pins) |
| | XVUZ01Q | Fixing Unit - Direct mounting (Silver,3 pins) |
| | XVUZ03 | Fixing Unit - Direct mounting (2 pins) |
| | XVUZ04 | Fixing Unit - Direct mounting (4 pins) |
| A13 | XVUZ02 | Fixing Unit - Plate with Pole (100 mm) |
| | XVUZ02Q | Fixing Unit - Plate with Pole (100 mm, Silver) |
| | XVUZ400 | Fixing Unit - Plate with Pole (400 mm) |
| | XVUZ800 | Fixing Unit - Plate with Pole (800 mm) |
| A14 | XVUZ05 | Fixing Unit - Plate with adjustment pole (100-385 mm) |
| A15 | XVUC43 | Green LED unit, Flash |
| | XVUC44 | Red LED unit, Flash |
| | XVUC45 | Orange LED unit, Flash |
| | XVUC46 | Blue LED unit, Flash |
| | XVUC47 | White LED unit, Flash |
| | XVUC48 | Yellow LED unit, Flash |
| A16 | XVUZ100T | Fixing Unit - Metal bracket with pole (100 mm) |
| | XVUZ250T | Fixing Unit - Metal bracket with pole(250 mm) |
| | XVUZ400T | Fixing Unit - Metal bracket with pole (400 mm) |
| A17 | XVUZ12 | Fixing plate for use on vertical support - black |

Illuminated Units, Multi-LED and Audible Units Wiring

mm
in.



- (A) Fixing Unit
- (1) Dimensions of Wiring size
- (2) Push-in Wire Connectors
- (3) Fuse : 2A ,250V
- (4) Fuse : 0.5A ,125V
- (5) Modular Tower Lights 24V AC/DC
- (6) Modular Tower Lights 100...240V AC
- L1 Illuminated LED Units
- to
- L5 :