

## Component housing - HS LC-H-5X2/ R1XC1 - 2202314

Please be informed that the data shown in this PDF Document is generated from our Online Catalog. Please find the complete data in the user's documentation. Our General Terms of Use for Downloads are valid (<http://phoenixcontact.com/download>)



Fiber optics can be used for the ME, ME-MAX, ME-IO, ME PLC, and EH housing ranges (housing must be processed), Color: transparent



### Key Commercial Data

Packing unit	1 pc
Minimum order quantity	100 pc
Custom tariff number	90019000
Country of origin	Germany

### Technical data

#### General

Housing type	Fiber optics
Housing material	PMMA
Color	transparent

#### Ambient conditions

Ambient temperature (operation)	-40 °C ... 85 °C
---------------------------------	------------------

#### Technical data

Flammability rating according to UL 94	HB
Number of positions	1

#### Standards and Regulations

Flammability rating according to UL 94	HB
--	----

## Component housing - HS LC-H-5X2/ R1XC1 - 2202314

### Classifications

eCl@ss

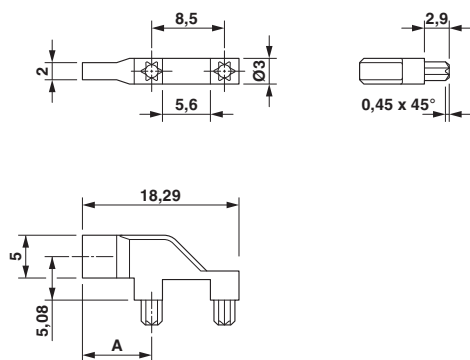
eCl@ss 5.1	27180506
eCl@ss 6.0	27180802
eCl@ss 8.0	27182702
eCl@ss 9.0	27182702

ETIM

ETIM 5.0	EC001031
----------	----------

### Drawings

Dimensional drawing



Details on positioning inside the electronics housing can be found in the download area under "Design-In"