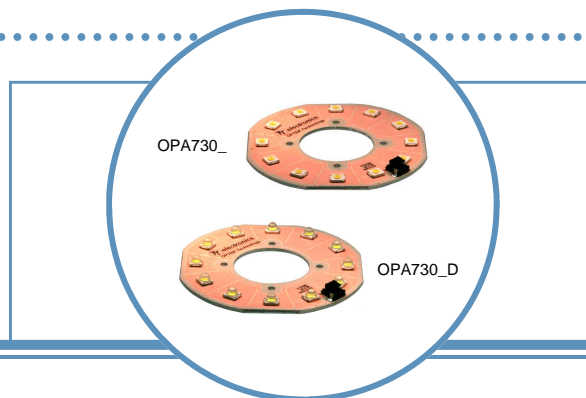


# OPA730 Series

## 12 Watt Light Ring on OptoTherm<sup>®</sup> Linear Heat Spreader

### OPA730 Series

- 12, 1 watt LEDs per ring
- Mono-color per ring (Blue, Green, Red, Yellow, White)
- Two component beam angle options (120° or 40°)
- Universal connector (Tyco 2-292173-2 mates with 173977-2)
- RoHS Compliant



The **OPA730** Series are designed for areas where light output and reliability are essential. The light beam angles of 40° and 120° are ideal for illuminating small and medium size areas while requiring minimal space.

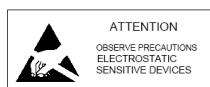
A High Performance Heat Spreader (HPHS) is used to ensure the best heat dissipation of any light assembly in the industry.

OptoTherm<sup>®</sup> is designed to be the optimum material for distribution of heat for high power devices.

For custom colors and design contact your OPTEK representative.

### Electrical / Optical Characteristics: T<sub>A</sub>=25°C, I<sub>F</sub>=700mA

Part Number	Typical Forward Voltage (V)	Luminous Flux (lm)	Beam Angle	Color	Dominant Wavelength
OPA730Y	15.0	420	120°	Yellow	587 nm
OPA730B	21.6	108		Blue	470nm
OPA730G	21.6	576		Green	530 nm
OPA730R	15.0	312		Red	625 nm
OPA730W	21.6	576		White	6500K
OPA730YD	15.0	420	40°	Yellow	587 nm
OPA730BD	21.6	108		Blue	470 nm
OPA730GD	21.6	576		Green	530 nm
OPA730RD	15.0	312		Red	625 nm
OPA730WD	21.6	576		White	6500K



**DO NOT LOOK DIRECTLY AT LED WITH UNSHIELDED EYES OR DAMAGE TO RETINA MAY OCCUR.**

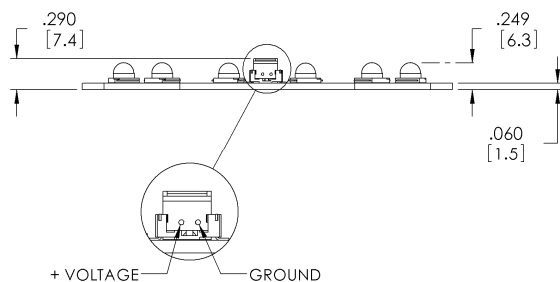
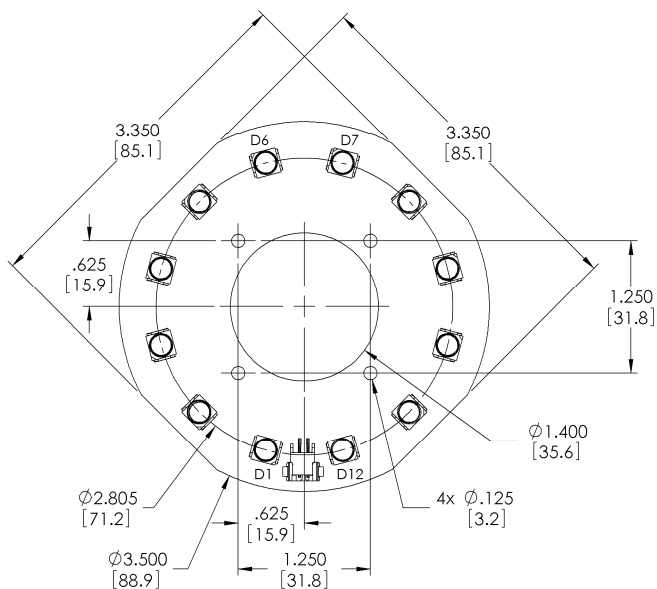
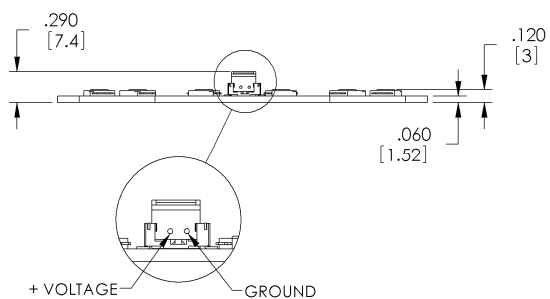
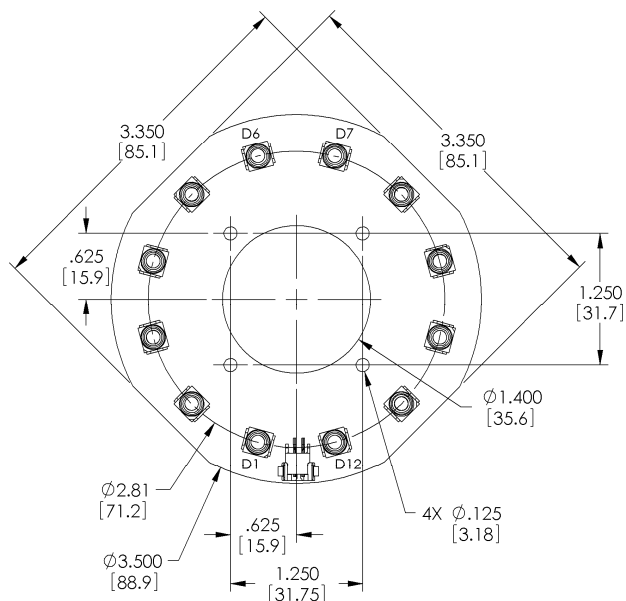
OPTEK reserves the right to make changes at any time in order to improve design and to supply the best product possible.

# OPA730 Series

## 12 Watt Light Ring on OptoTherm® Linear Heat Spreader

### OPA730\_

See OVSP\_BCR4 for component specifications.



### OPA730\_D

See OVSP\_BCR44 for component specifications.

OPTEK reserves the right to make changes at any time in order to improve design and to supply the best product possible.