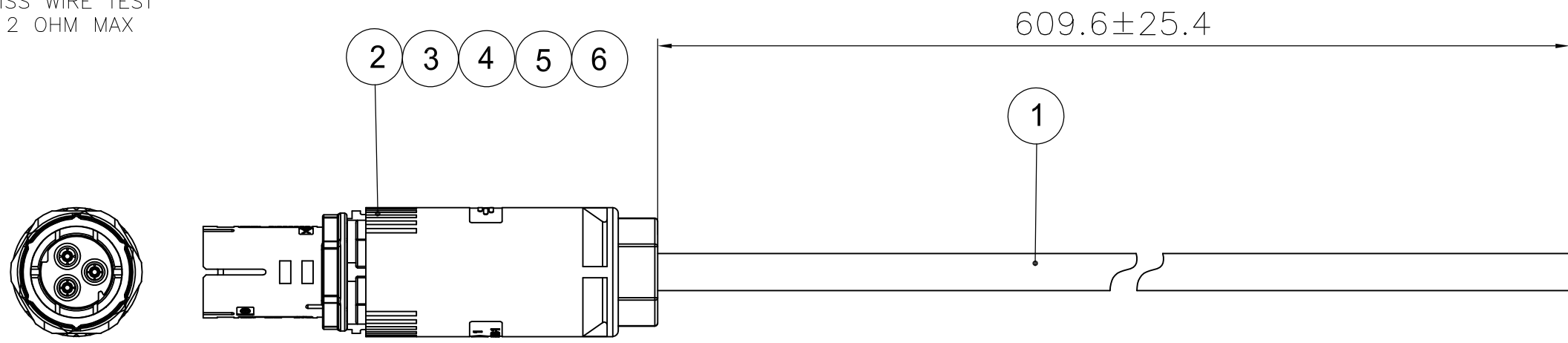


THIS DRAWING IS UNPUBLISHED. RELEASED FOR PUBLICATION  
 © COPYRIGHT - By - ALL RIGHTS RESERVED.

LOC	DIST	REVISIONS					
GP	00	P	LTR	DESCRIPTION	DATE	DWN	APVD
		A		INITIAL DRAWING	26AUG2015	DM	DM

NOTES:

- EACH ITEM AND ASSEMBLY MUST COMPLY WITH EUROPEAN REDUCTION OF HAZARDOUS SUBSTANCES (RoHS) REGULATION. UNDER DIRECTIVE 2011/65/EU AND HARMONIZED STANDARD EN 50581:2012.
- DO NOT SOLDER CONTACT, CRIMP ONLY
- IDENTIFY POSITION PE, LOADING POSITIONER PE TO SOCKET PE
- PE CONTACT CIRCUIT IDENTIFIED BY EXTENDED LENGTH POLARIZED "KEY"
- ELECTRICAL TEST:  
 100% OPEN SHORT&MISS WIRE TEST  
 CONTACT RESISTANCE: 2 OHM MAX



WIRING SCHEME	
CONNECTOR HOUSING (ITEM 2)	WIRE
PE/	GREEN
N	WHITE
L	BLACK

2829464-1  
 TE P/N

QTY	UoM	DESCRIPTION	ITEM
1	PC	Cable Ring Nut 11-14mm OD	6
1	PC	Cable Clamp/Seal Assembly 11-14mm OD	5
1	PC	Contact/Positioner Assembly	4
2	PC	14 AWG Socket Contacts	3
1	PC	Socket Housing Assembly	2
0.661	M	Cable SE00W 14/3 STD UL GENERAL CABLE 89073	1

THIS DRAWING IS A CONTROLLED DOCUMENT.		DWN T.BURZYŃSKI 25MAY2015	TE Connectivity SEALED 3 POS SOCKET - STD UL	
DIMENSIONS: mm		CHK A.V.ZANDVOORT 25MAY2015		
		APVD A.V.ZANDVOORT 25MAY2015	NAME	
TOLERANCES UNLESS OTHERWISE SPECIFIED:		PRODUCT SPEC	SIZE	
0 PLC ± 0,5	1 PLC ± 0,5	APPLICATION SPEC	CAGE CODE	DRAWING NO
2 PLC ± 0,5	3 PLC ± -	WEIGHT	A3	00779
4 PLC ± -	ANGLES ± 2°	MATERIAL	G=2829464	
FINISH		RESTRICTED TO		SCALE
-		-		NTS
		CUSTOMER DRAWING		SHEET 1 OF 1
				REV A