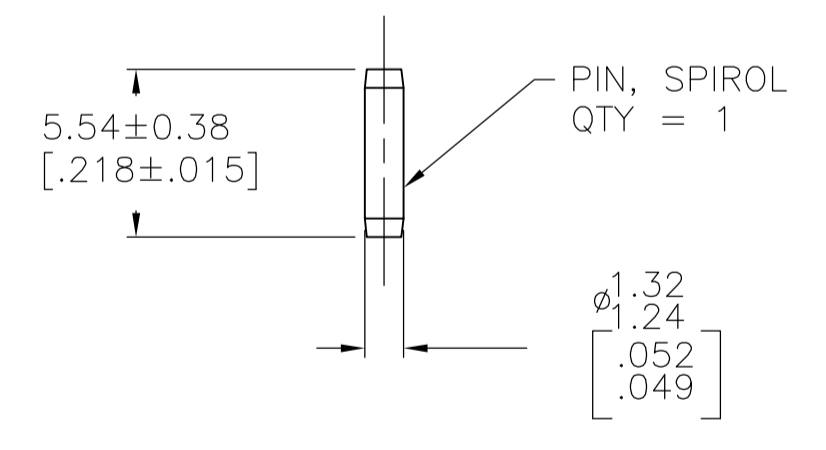
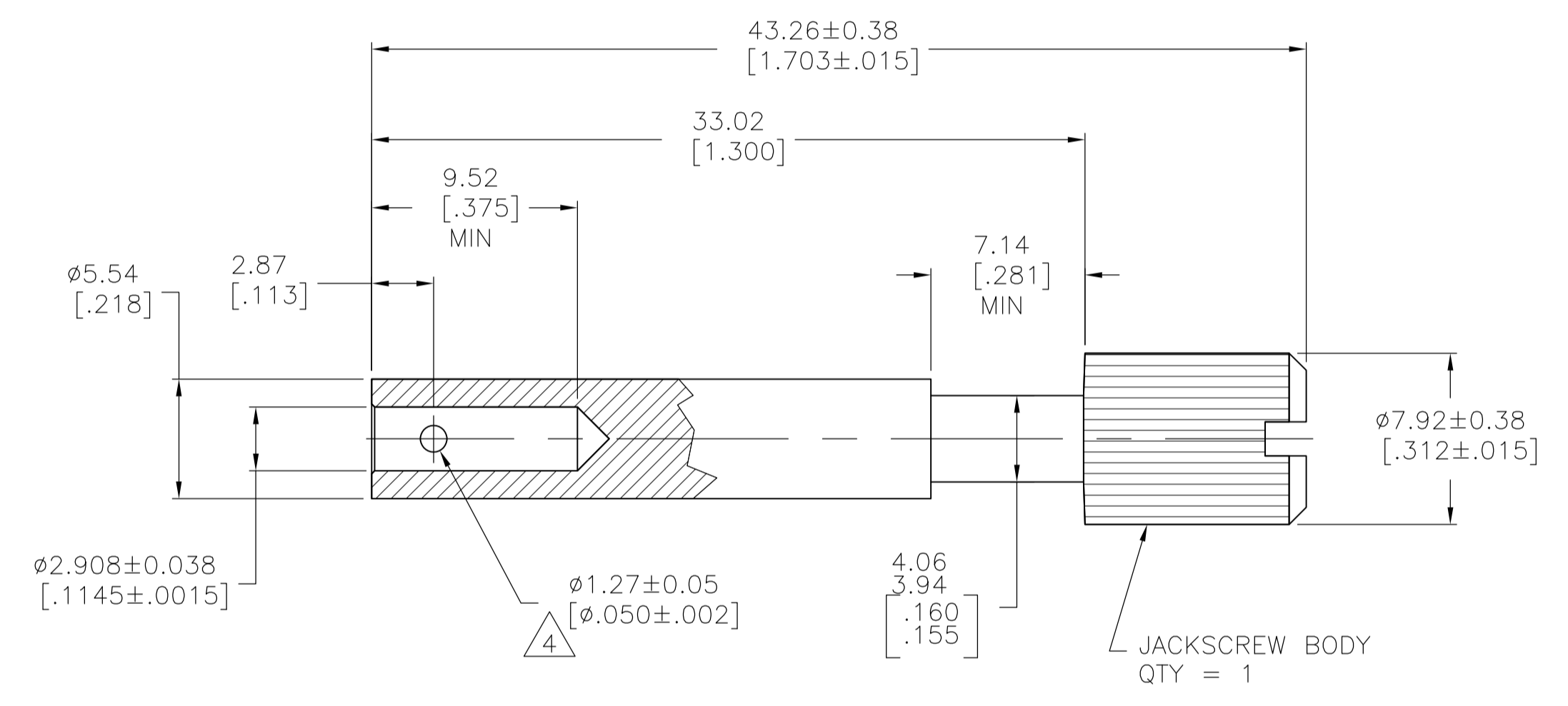
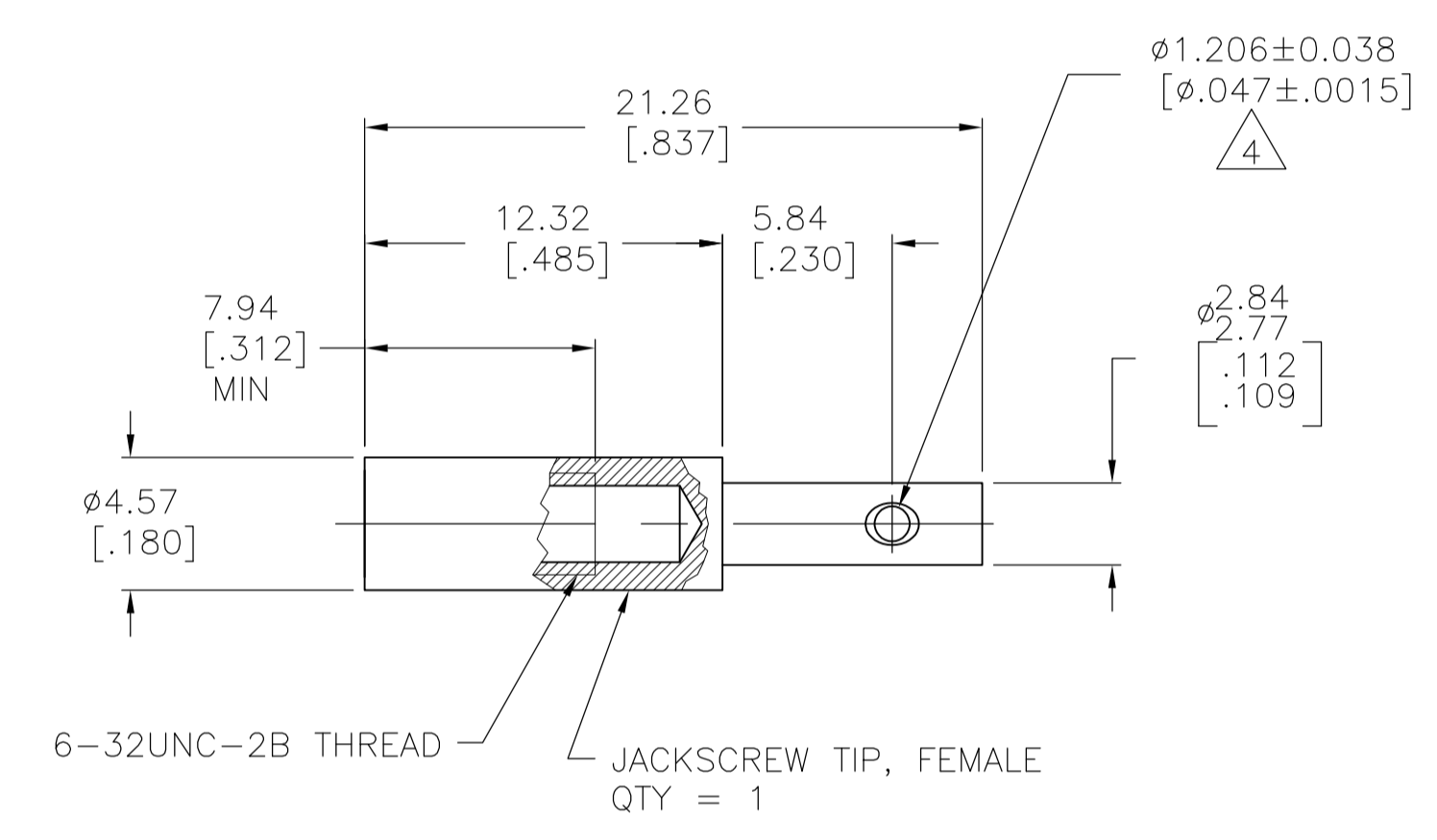


REVISIONS				
P	LTR	DESCRIPTION	DATE	APPV
M1		REVISED PER ECO-16-004000	28SEP2016	NK MZ

- 1 ZINC.
- 2 STAINLESS STEEL.
- 3 TO ASSEMBLE JACKSCREW REFER TO INSTRUCTION SHEET #1189.
- 4 HOLE CENTRALLY LOCATED WITHIN  $\pm 0.07$  [.003] OF THE 5.54 [.218] DIA AND THE 2.77/2.84 [.109/.112] DIA CENTER LINES.
- 5 CHROMATE CONVERSION, CLEAR.
- 7 NON-HEXAVALENT CHROMATE COATING ON JACKSCREW BODY.
- 8 SPECIAL PACKAGING - ONE UNASSEMBLED UNIT PER BAG



OBSOLETE	8	7	-201414-5-
	7	7	201414-4
	7	7	201414-1
NOTES			PART NUMBER

THIS DRAWING IS A CONTROLLED DOCUMENT.

DIMENSIONS:	TOLERANCES UNLESS OTHERWISE SPECIFIED:	DIN	10/18/94
mm [INCHES]		K. FOLTZ	11/07/94
0 PLC ± -		R. STONE	
1 PLC ± -		APVD	
2 PLC ± 0.13 [.005]		NAME	
3 PLC ± -		PRODUCT SPEC	
4 PLC ± -		APPLICATION SPEC	
ANGLES ± -		SIZE	CAGE CODE
		A1	00779
MATERIAL	FINISH	WEIGHT	DRAWING NO
JACKSCREW BODY: 1	JACKSCREW BODY: 7		201414
JACKSCREW TIP: 2	PIN: PASSIVATED	CUSTOMER DRAWING	RESTRICTED TO
PIN: 5		SCALE	4:1
		SHEET	1 OF 1
		REV	M1

STE TE Connectivity

JACKSCREW KIT, UNASSEMBLED, FEMALE, M SERIES