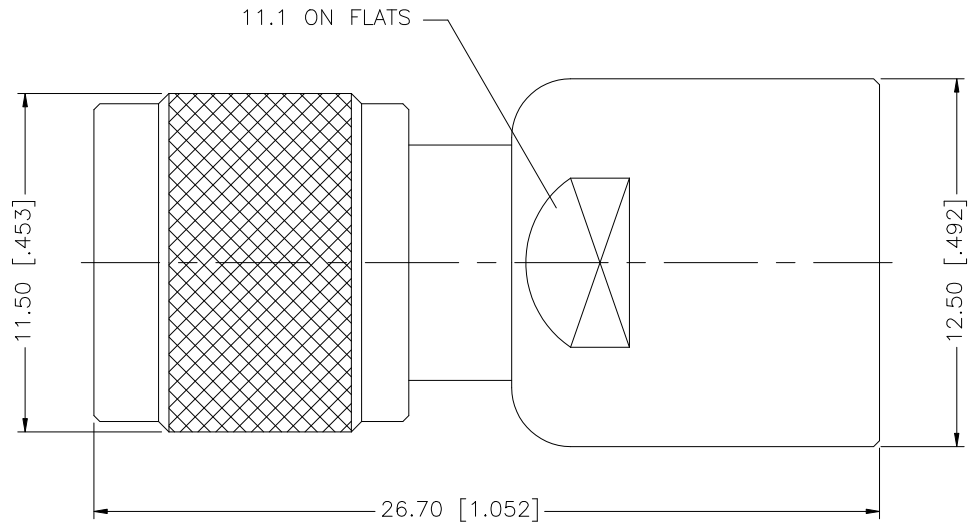


REV.	DATE	DESCRIPTION
NC	06/08/99	INITIAL RELEASE
A	01/31/08	UPDATE DRAWING FORMAT



8				
7				
6				
5				
4				
3	CONTACT PIN	BRASS	SILVER	1
2	INSULATOR	DELRIN	NATURAL	1
1	BODY	BRASS	NICKEL	1
	DESCRIPTION	MATERIAL	FINISH	QTY

UNLESS OTHERWISE SPECIFIED DIMENSIONS ARE IN MILLIMETERS. DIMENSIONS IN [] ARE IN INCHES AND FOR CUSTOMER REFERENCE ONLY.

UNLESS OTHERWISE SPECIFIED TOLERANCES FOR MILLIMETERS ARE:
0.5 - 8mm ± 0.20mm
8 - 30mm ± 0.40mm
30 - 120mm ± 0.50mm

UNLESS OTHERWISE SPECIFIED TOLERANCES FOR INCHES ARE:
.020 - .315 = ± 0.007"
.315 - 1.180 = ± 0.015"
1.180 - 4.724 = ± 0.020"

DO NOT SCALE DRAWING

APPROVALS	DATE
DRAWN G.R.S.	01/31/08
CHECKED	
ISSUED	
SHEET 1 OF 1	
CAD FILE	C:/192/192108.DWG

Amphenol Connex

PART DESCRIPTION			
NIPPLE PLUG TO MINI-UHF PLUG			
-			
PART NO.		192108.DWG	
DWG. NO.	192108.DWG	REV. A	SCALE NA