

SUBCON-PLUS-PROFIB/SC2

Order No.: 2708232




<http://eshop.phoenixcontact.de/phoenix/treeViewClick.do?UID=2708232>

D-SUB connector, 9-pos., male connector, cable entry < 35°, bus system: PROFIBUS DP up to 12 Mbps, termination resistor can be switched on via slide switch, pin assignment: 3, 5, 6, 8; screw connection terminal blocks



Commercial data

GTIN (EAN)	 4 017918 960483
sales group	H631
Pack	1 pcs.
Customs tariff	85366990
Catalog page information	Page 550 (IF-2009)

Product notes

WEEE/RoHS-compliant since:
10/20/2006



<http://www.download.phoenixcontact.com>
Please note that the data given here has been taken from the online catalog. For comprehensive information and data, please refer to the user documentation. The General Terms and Conditions of Use apply to Internet downloads.

Technical data

General data

Nominal voltage U_N	60 V AC/DC
Nominal current I_N	1 A
Termination resistor	390 Ω - 220 Ω - 390 Ω (switchable)

Bus system	PROFIBUS DP
Insertion/withdrawal cycles	> 200
Max. cable diameter	8.4 mm
Min. cable diameter	7.6 mm
SUBCON fixing screws	4-40 UNC
Tightening torque	0.4 Nm
Ambient temperature (operation)	-20 °C ... 75 °C
Ambient temperature (storage/transport)	-25 °C ... 80 °C
Housing material	ABS, metal-plated
Pin assignment	3, 5, 6, 8
Width	16.6 mm
Height	39.4 mm
Length	58 mm

Connection data

Connection	D-SUB connection
Number of positions	9
Type of connection	D-SUB connector
Termination resistor	220 Ω (Can be connected externally)
Connection	PCB connection
Type of connection	Screw connection
Termination resistor	390 Ω (Can be connected externally)
Conductor cross section solid min.	0.14 mm ²
Conductor cross section solid max.	1.5 mm ²
Conductor cross section stranded min.	0.14 mm ²
Conductor cross section stranded max.	1 mm ²
Conductor cross section AWG/kcmil min.	26
Conductor cross section AWG/kcmil max	16
Stripping length	5 mm
Tightening torque	0.4 Nm

Certificates / Approvals



Certification

CUL, UL

Accessories

Item	Designation	Description
Cable/conductor		
2744652	PSM-CABLE-PROFIB/FC	PROFIBUS cable, Fast Connect type, up to 12 Mbps (02YSY (ST)CY 1x2x22 AWG)

General

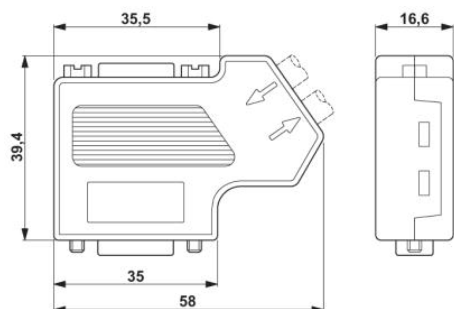
2744636	PSM-STRIP-KNIFEBLOCK	Spare knife block for quick stripping tool
1205150	SZK PH1 VDE	Screwdriver, PH crosshead, VDE insulated, size: PH 1 x 80 mm, 2-component grip, with non-slip grip

Tools

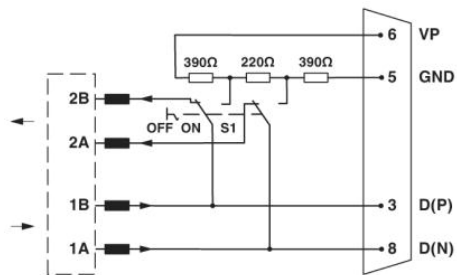
2744623	PSM-STRIP-FC/PROFIB	Quick stripping tool for PROFIBUS cable, type Fast Connect
1204384	QUICK WIREFOX 6	Stripping tool for cables with PVC insulation, stripping range: 0.08 to 6 mm ² , wire cutting up to 6 mm ² flexible or 4 mm ² rigid
1204504	SZF 0-0,4X2,5	Actuation tool, for ST terminal blocks, also suitable for use as a bladed screwdriver, size: 0.4 x 2.5 x 75 mm, 2-component grip, with non-slip grip

Diagrams/Drawings

Dimensioned drawing



Circuit diagram



Functional diagram of the connector range
SUBCON-PLUS-PROFIB/...

Address

PHOENIX CONTACT Deutschland GmbH
Flachmarktstr. 8
32825 Blomberg, Germany
Phone +49 5235 3 12000
Fax +49 5235 3 41200
<http://www.phoenixcontact.de>



© 2011 Phoenix Contact
Technical modifications reserved;