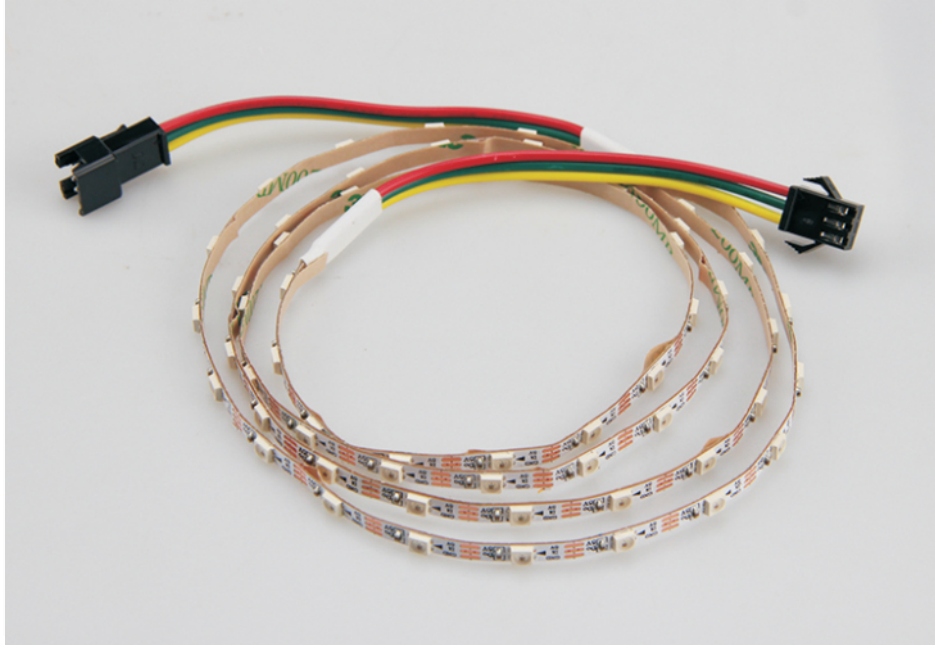




4mm SK6812 Addressable LED Strip-60leds



Product Description

- Control IC included, supporting numerous color-change effects.
- Pcontrol by SD controller,Arduino,DMX512, Artnet.
- Flexible PCB 5V low voltage input.
- PCB Color: White.



- Absolutely addressable ,each IC built inside RGB LED.
- 1M per roll, Customer's size available also.



Product Datasheet

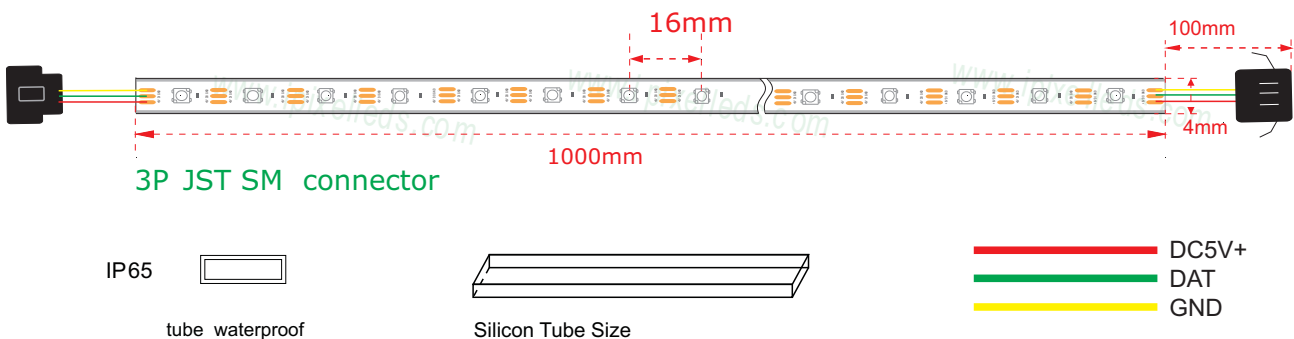
Product Number	S60SK6812	
Light Source	SMD 3535 RGB	
Beam Angle	120°	
LED Quantity	60leds/m	
Size (mm)	L 1000* W 4 mm	
Emitting Color	Full color	
Operating Voltage	DC5V	
Power (W)	15±1w/m	
Control (IC)	Sk6812	
Waterproof Rating	IP20/IP65	
Luminance(MCD)	R:24000mcd	G:42000mcd B:11400mcd (1m/60led)

Application



- Hotels, restaurants, nights clubs,
- Back lighting, edge lighting
- Recreational machines, playstation,
- TV, Dancefloor background,

Outline Dimension



Mouser Electronics

Authorized Distributor

Click to View Pricing, Inventory, Delivery & Lifecycle Information:

[SparkFun Electronics:](#)

[COM-14730](#)