

Snap-up frame - CES-B10-SF-PLBK - 0801655

Please be informed that the data shown in this PDF Document is generated from our Online Catalog. Please find the complete data in the user's documentation. Our General Terms of Use for Downloads are valid (<http://download.phoenixcontact.com>)



Size B10 snap-on frame including integrated mounting panel seal, for accommodating CES-B10-HFFS-PLBK or CES-B10-SFFS-PLBK sealing frames

Product description

Snap-on frame, small



Key commercial data

Packing unit	1 PCE
Weight per Piece (excluding packing)	64.0 GRM
Custom tariff number	39174000
Country of origin	Germany

Technical data

Dimensions

Length	108 mm
Width	64 mm
Height	38 mm

Ambient conditions

Degree of protection	IP54
	IP55 (when using a CES-B...-SFFS-PLBK sealing frame with screw locking)
	IP65 (when using a CES-B...-SFFS-PLBK sealing frame with screw locking and a cone sleeve with cable binder)
Ambient temperature (operation)	-20 °C ... 80 °C

General

Product description	Snap-on frame, small
Frame type	Snap-on frame
Material	PA

Snap-up frame - CES-B10-SF-PLBK - 0801655

Technical data

General

Inflammability class according to UL 94	V0
Color	black
Installation instructions	M4 mounting screw

Classifications

eCl@ss

eCl@ss 4.0	27081002
eCl@ss 4.1	27081002
eCl@ss 5.0	27081002
eCl@ss 5.1	27081002
eCl@ss 6.0	27081002
eCl@ss 7.0	27081002
eCl@ss 8.0	27081002

ETIM

ETIM 3.0	EC000451
ETIM 4.0	EC000451
ETIM 5.0	EC000451

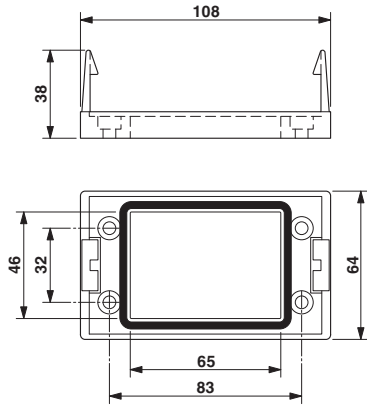
UNSPSC

UNSPSC 6.01	30212109
UNSPSC 7.0901	39121708
UNSPSC 11	39121708
UNSPSC 12.01	39121708
UNSPSC 13.2	39121708

Drawings

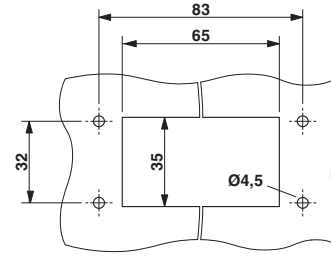
Snap-up frame - CES-B10-SF-PLBK - 0801655

Dimensioned drawing



Dimensional drawing

Dimensioned drawing



Panel cutout