

# Rotary Position Sensor

PHS07



## Features:

- Dust-proof construction protects the interior from dust, which maintains stable characteristics
- High accuracy and long life over 1 million cycles
- Stable output characteristics can be secured for external noise and temperature changes

## Electrical Specifications

Total resistance	500Ω—1MΩ
Total resistance tolerance	±20%
Resistance taper	B taper
Rated voltage	DC 5V, AC 50V
Rated power	0.01W
Linearity tolerance	Less than ±2%
Insulated resistance	More than 100MΩ at DC 250V for 1 minute
Withstand voltage	250V AC for 1 minute

## Mechanical Specifications

Total rotational angle	360° continuous
Rotational torque	Less than 50 gf .com
Pull strength of rotational shaft	500gf min

## Environmental Specifications

Storage temperature	-40°C to +70°C
Operating temperature	-10°C to +70°C
Dry heat	70±2°C, 240±2h, ΔTR+5%/-30%
Cold	-30±2°C, 300±5h, without load, ΔTR±20%
Damp heat	70±2°C, 85% RH, 300±5h, ΔTR+35/-5%
Temperature cycles	-10°C—+70°C, 5 cycles, ΔTR ±10%
Rotational life	Standard life: 500,000 cycles min.; Long life: 1,000,000 cycles min.
Temperature characteristic	70±3°C, 5H, ΔTR+5%/-20%
Soldering condition	Wave soldering: 260±5°C sec max.; Manual soldering: 350°C±10°C 3 sec max.
Operating temperature range	-10°C—+70°C

### General Note

TT Electronics reserves the right to make changes in product specification without notice or liability. All information is subject to TT Electronics' own data and is considered accurate at time of going to print.

TT Electronics | BI Technologies  
4200 Bonita Place, Fullerton, CA USA 92835-1053 | Ph: +1 714-447-2300  
www.ttelectronics.com | sensors@ttelectronics.com

# Rotary Position Sensor

PHS07



## How to Order



### General Note

TT Electronics reserves the right to make changes in product specification without notice or liability. All information is subject to TT Electronics' own data and is considered accurate at time of going to print.

TT Electronics | BI Technologies  
4200 Bonita Place, Fullerton, CA USA 92835-1053 | Ph: +1 714-447-2300  
www.ttelectronics.com | sensors@ttelectronics.com

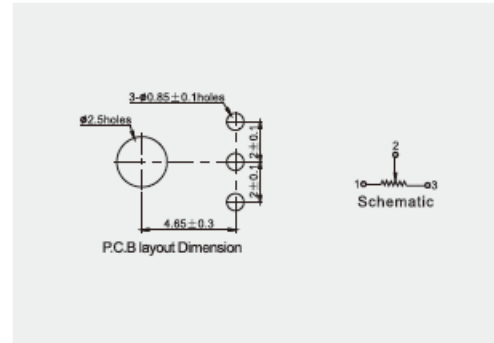
# Rotary Position Sensor

PHS07



## Drawings

**PHS07-H1** Top Adjust, Terminal Length 2.1mm



**PHS07-H2** Top Adjust, Terminal Length 6.4mm



**PHS07-H3** Top Adjust, Terminal Length 9.5mm



**General Note**

TT Electronics reserves the right to make changes in product specification without notice or liability. All information is subject to TT Electronics' own data and is considered accurate at time of going to print.