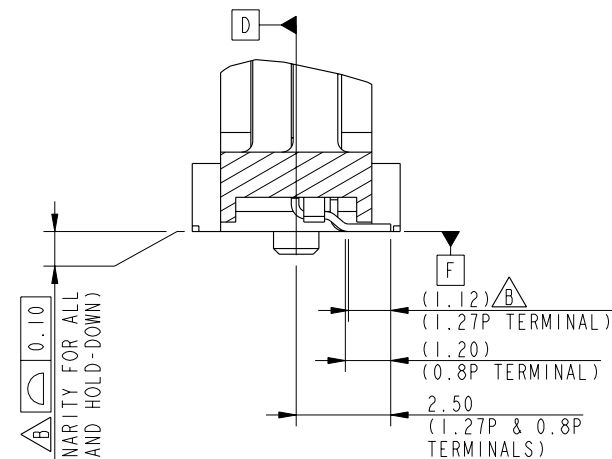
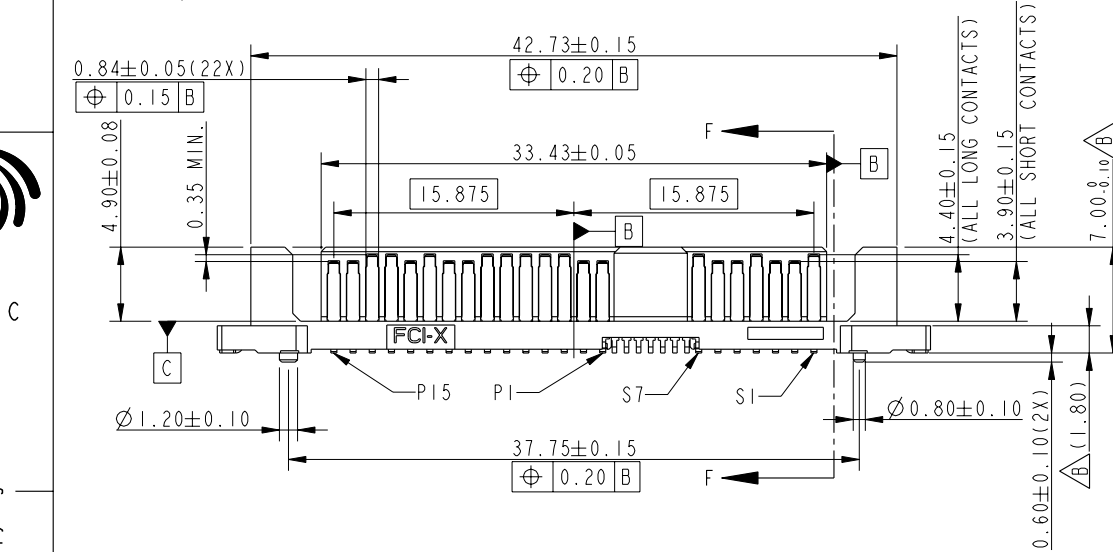
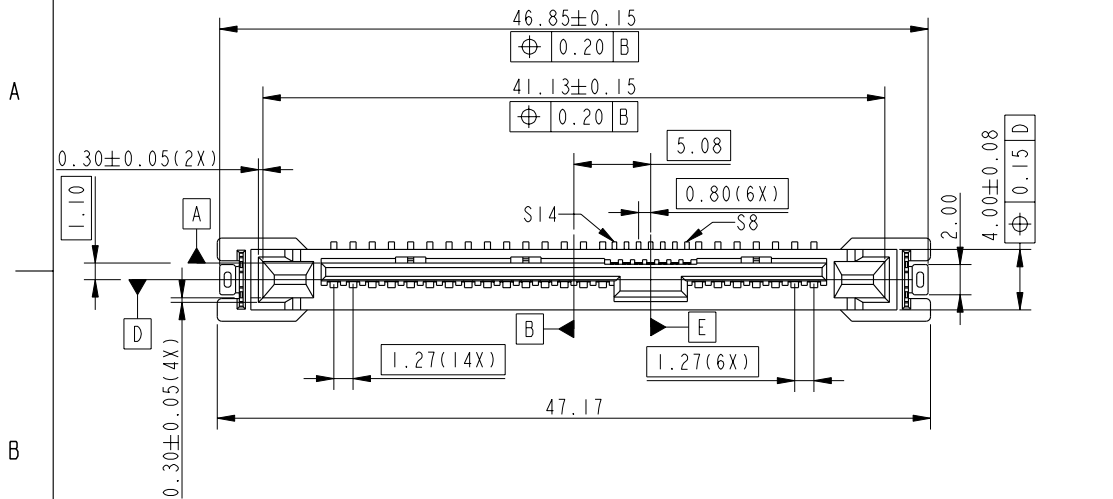
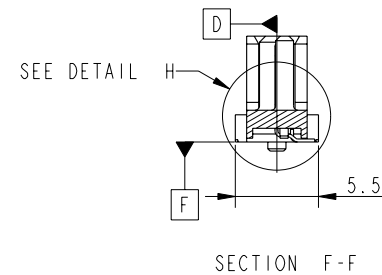


PRODUCT NO.
10105989-001LF



DETAIL H
SCALE 5.000



SECTION F-F

CO-PLANARITY FOR ALL
SOLDERTAILS AND HOLD-DOWN

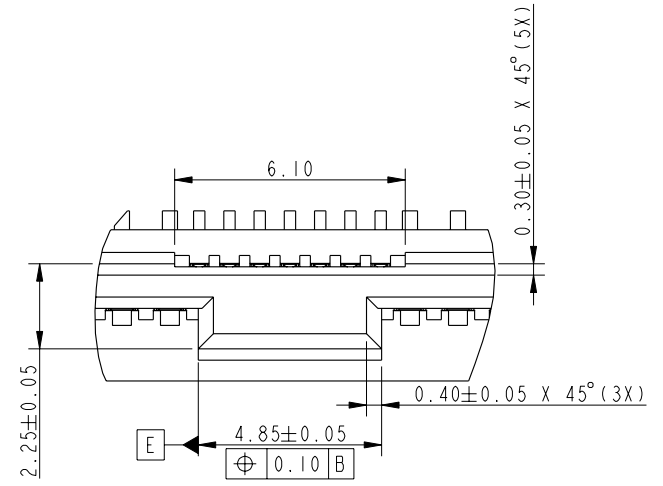
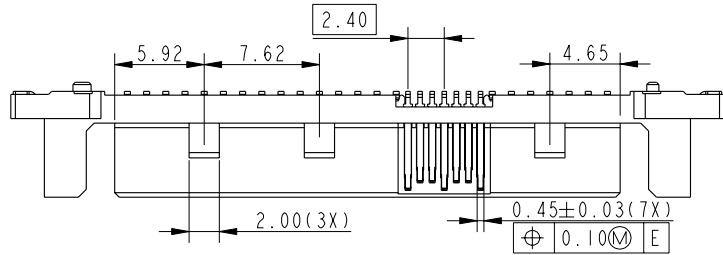
SEE DETAIL H

www.fciconnect.com			surface <input checked="" type="checkbox"/>	tolerance std ASME Y14.5	projection MM
			TOLERANCES UNLESS OTHERWISE SPECIFIED		MM
Dr	HK LIM	2009-09-10	ANGULAR	0.X ±0.25	size A4
Eng	HK LIM	2010-09-06	LINEAR	0.XX ±0.13	Scale 2.000
Chr	HK LIM	2010-09-06	0° ±2°	0.XXX ±0.050	ECN S10-0191
Appr	JOEY NG	2010-09-06	Product family		Spec ref
FCI			title SAS PLUG VERTICAL SMT ASSY		dwg no 10105989
			catalog no		Rev. B
			CUSTOMER		sheet 1 of 3

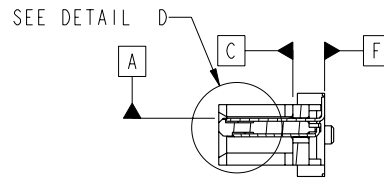
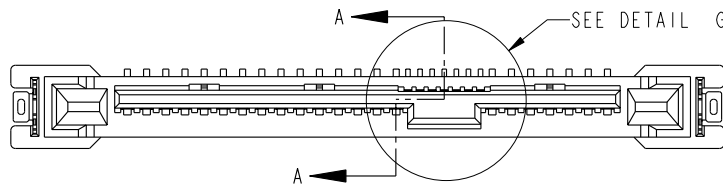
rev	ecn no	dr	date
A	S09-0414	HKL	2009-12-22
B	S10-0191	HKL	2010-09-06
-	-	-	-
-	-	-	-
-	-	-	-



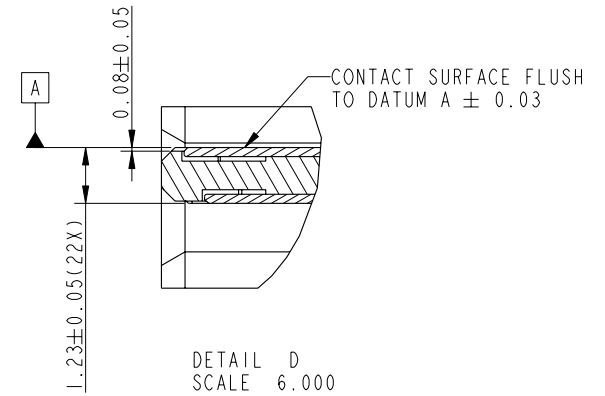
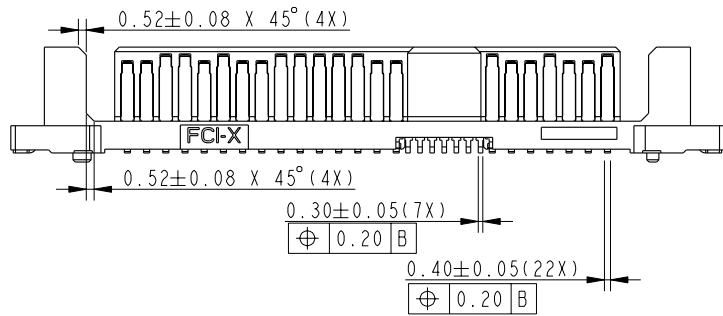
PRODUCT NO.
SEE TABLE



DETAIL G
SCALE 5.000



SECTION A-A



DETAIL D
SCALE 6.000



Copyright FCI.



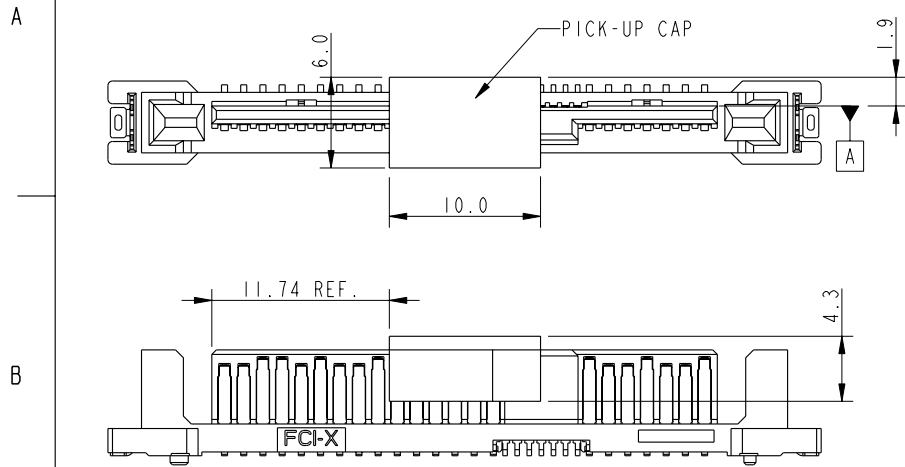
title SAS PLUG
VERTICAL SMT ASSY
catalog no

dwg no 10105989

Rev. B

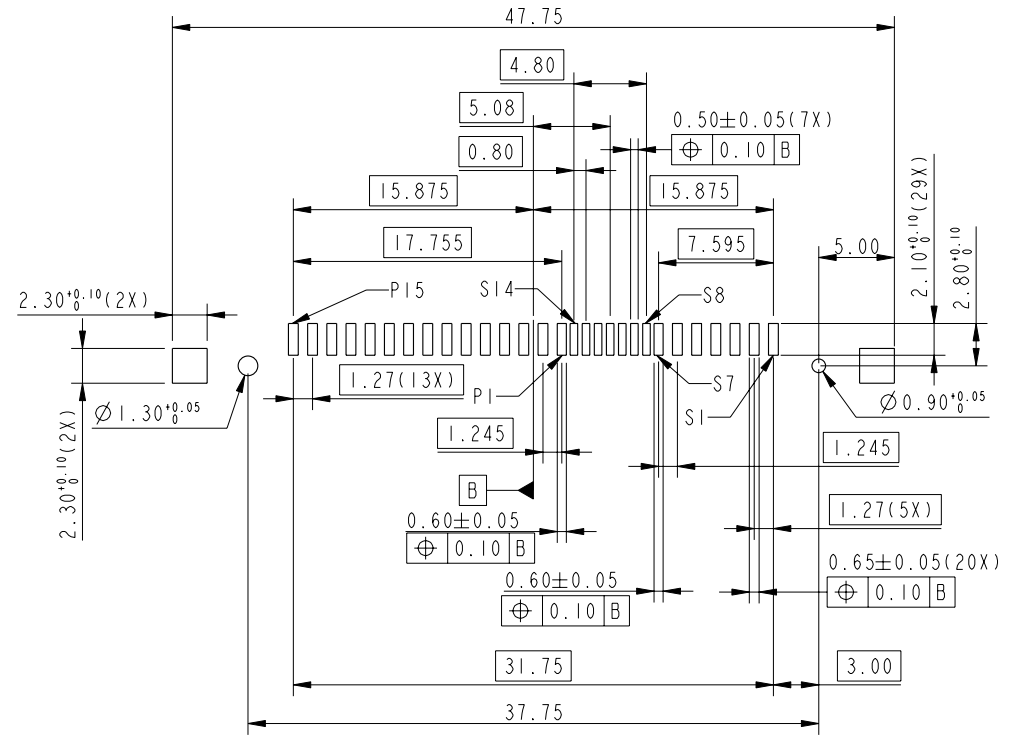
CUSTOMER sheet 2 of 3

PRODUCT NO.	WITH PICK-UP CAP	PACKAGING
10105989-00ILF	NO	TRAY
10105989-00ICLF	YES	
10105989-00IC-TRLF		



SCALE 2.000

WITH PICK-UP CAP ATTACHMENT



SCALE 2.000

RECOMMENDED PCB LAYOUT

NOTES:

- MATERIAL:
HOUSING & PICK-UP CAP: HIGH TEMPERATURE THERMOPLASTIC, BLACK, UL94V-0
CONTACT & HOLD DOWN: COPPER ALLOY
- FINISH:
CONTACT: 1.27um MIN. Ni UNDERPLATE OVERALL,
1.91um MIN. 100% MATTE Sn(LEAD-FREE) ON SOLDER TAIL,
0.38um MIN. Au ON CONTACT AREA
HOLD DOWN: 1.91um MIN. 100% MATTE Sn(LEAD-FREE) OVER 1.27um MIN. Ni UNDERPLATE OVERALL
- PRODUCT SPEC.: GS-12-282
- THIS PRODUCT MEETS EUROPEAN UNION DIRECTIVES AND OTHER COUNTRY REGULATIONS AS DESCRIBED IN GS-22-008
- THE HOUSING WILL WITHSTAND EXPOSURE TO 260°C PEAK TEMPERATURE FOR 10 SECONDS IN A CONVECTION, INFRA-RED OR VAPOR PHASE REFLOW OVEN
- A SYMBOL WILL BE NEXT TO ANY DIMENSION, VIEW OR NOTE WHICH HAS BEEN MODIFIED WITH THE CURRENT DRAWING REVISION

	title	SAS PLUG	dwg no	10105989	Rev.	B
		VERTICAL SMT ASSY				
	catalog no		CUSTOMER		sheet 3 of 3	