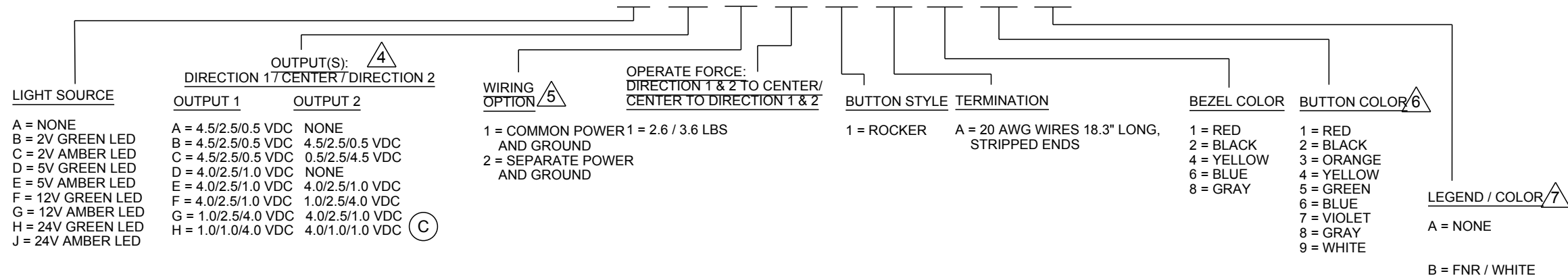


NOTES:

- DRAWING TO BE INTERPRETED IN ACCORDANCE WITH THE CURRENT REVISION OF ASME Y14.5.
- THIS PART/PRODUCT IS TO BE MANUFACTURED WITH THE LATEST APPLICABLE REGULATIONS OF EC DIRECTIVES FOR THE RESTRICTION OF THE USE OF HAZARDOUS SUBSTANCES IN ELECTRICAL AND ELECTRONIC EQUIPMENT (ROHS), WASTE ELECTRICAL AND ELECTRONIC EQUIPMENT (WEEE) AND REGISTRATION, EVALUATION, AUTHORIZATION AND RESTRICTION OF CHEMICALS (REACH).
- MARKING TO INCLUDE:
 "OTTO" P/N & DATE CODE "YYWW"
 4. OUTPUTS ARE WHEN SWITCH IS IN DETENTED POSITION.
 5. FOR SINGLE OUTPUT SWITCHES, WIRING OPTION 1 SHOULD BE SELECTED.
 6. ONLY BUTTON COLOR BLACK IS AVAILABLE ON BACKLIT VERSIONS.
 7. ONLY LEGEND COLOR WHITE IS AVAILABLE ON BACKLIT VERSIONS.

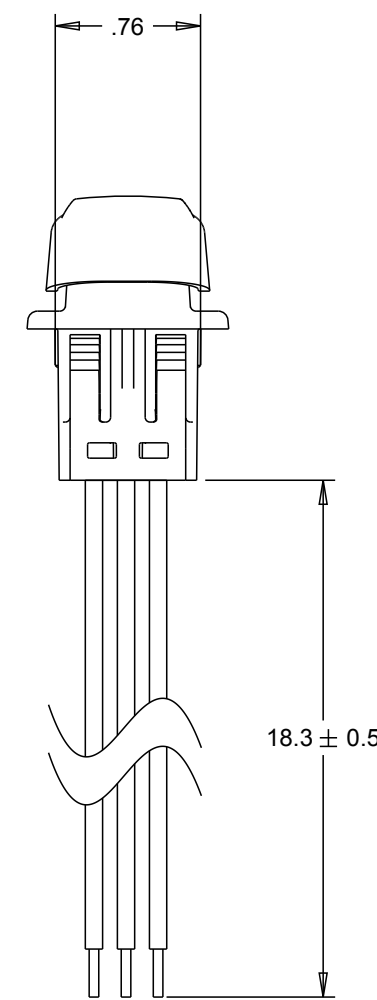
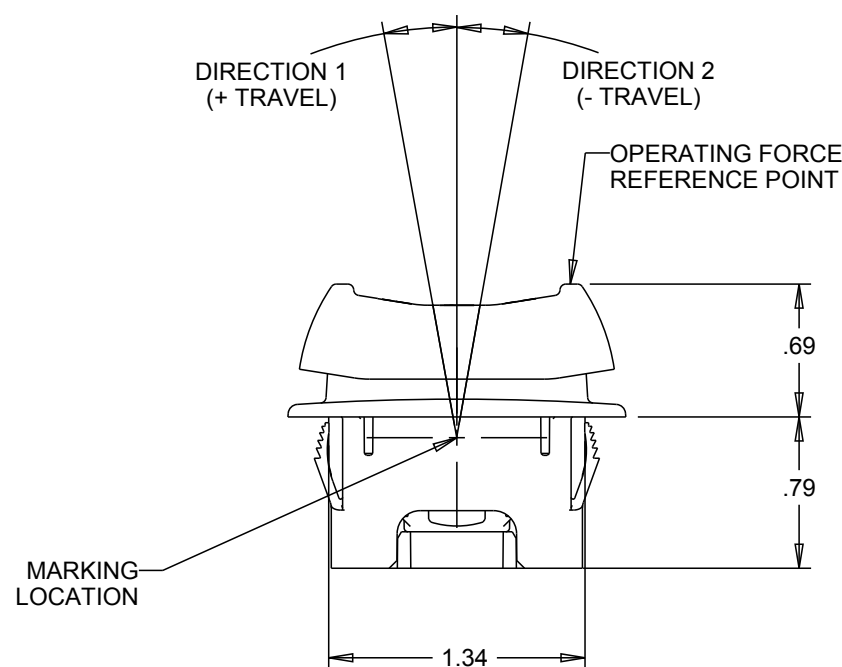
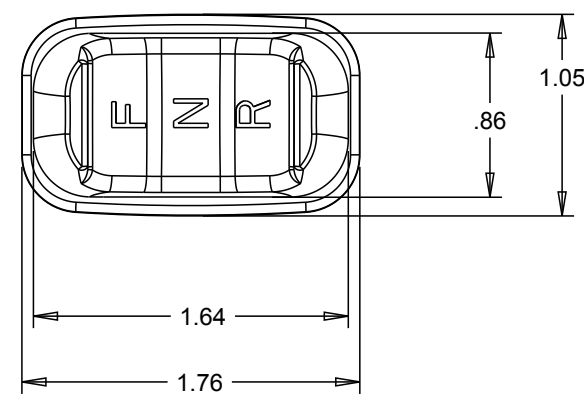
(C)

HFNR-

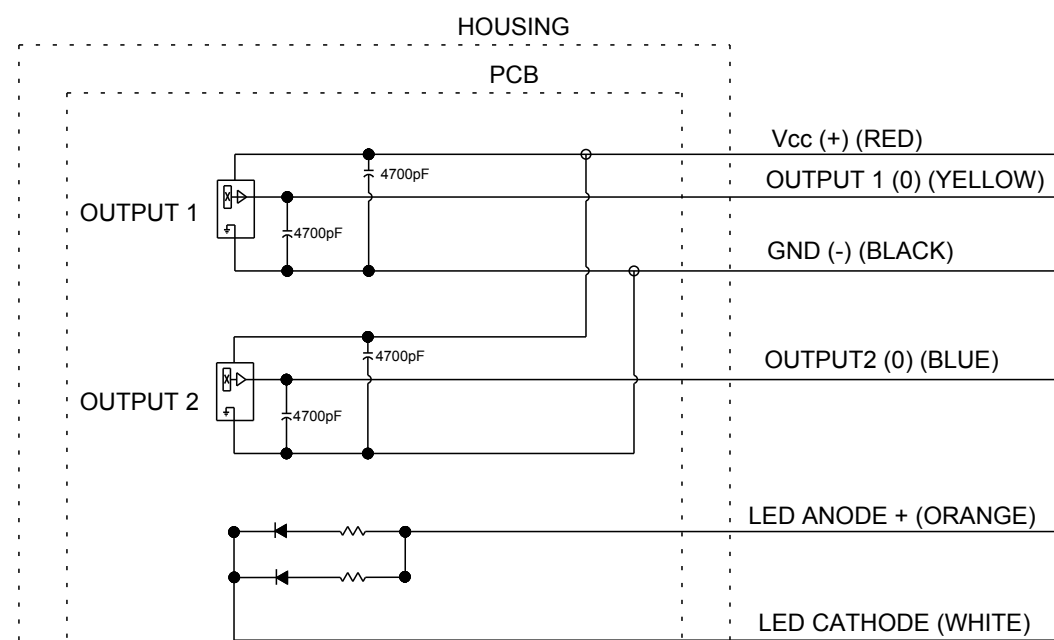


| REV | OCN # | DATE | APR |
|-----|--------|-----------|-----|
| A | 045980 | 30 OCT 08 | LBG |
| B | 054906 | 07 APR 10 | LBG |
| C | 071059 | 25 JUN 13 | DCF |

| SWITCH CHARACTERISTICS | | | | |
|----------------------------------------------------------------------------|------------------------------|----------------------------------------------|------|------|
| ELECTRICAL | | | | |
| RATED AT V _{cc} = 5V @ 25° C LOAD = 1ma (4.7KΩ) | UNITS | MIN | TYP | MAX |
| SUPPLY VOLTAGE | VDC | 4.50 | 5.00 | 5.50 |
| OUTPUT VOLTAGE, TOLERANCE AT CENTER | VDC AT 5V V _{cc} | -35 | NA | +35 |
| OUTPUT VOLTAGE, TOLERANCE AT FULL TRAVEL | VDC AT 5V V _{cc} | -35 | NA | +35 |
| SUPPLY CURRENT PER SENSOR B=0, V _{cc} =5V, I _{out} =0 | mA | NA | NA | 10 |
| MECHANICAL | | | | |
| MECHANICAL LIFE FULL FORWARD TO FULL BACK | | 3,000,000 | | |
| ANGLE OF THROW BETWEEN ADJACENT POSITIONS | ° | 8 | 10 | 12 |
| MAXIMUM ALLOWABLE RADIAL LOAD | LBS | NA | NA | 30 |
| ENVIRONMENTAL | | | | |
| OPERATING TEMPERATURE | °C | -40 | 20 | 85 |
| HUMIDITY | | 96% RH, 70° C, 96 HRS | | |
| VIBRATION | | PER MIL-810F MINIMUM INTEGRITY | | |
| ELECTRONICS SEAL INTEGRITY | | WATERTIGHT PER IP68S, 1 METER | | |
| MECHANICAL SEAL INTEGRITY | | UNSEALED | | |
| EMI/RFI WITHSTAND | | PER SAE J1113 CONTACT FACTORY FOR DETAILS | | |
| MATERIAL | | | | |
| BUTTON TOP | | THERMOPLASTIC | | |
| BEZEL | | THERMOPLASTIC | | |

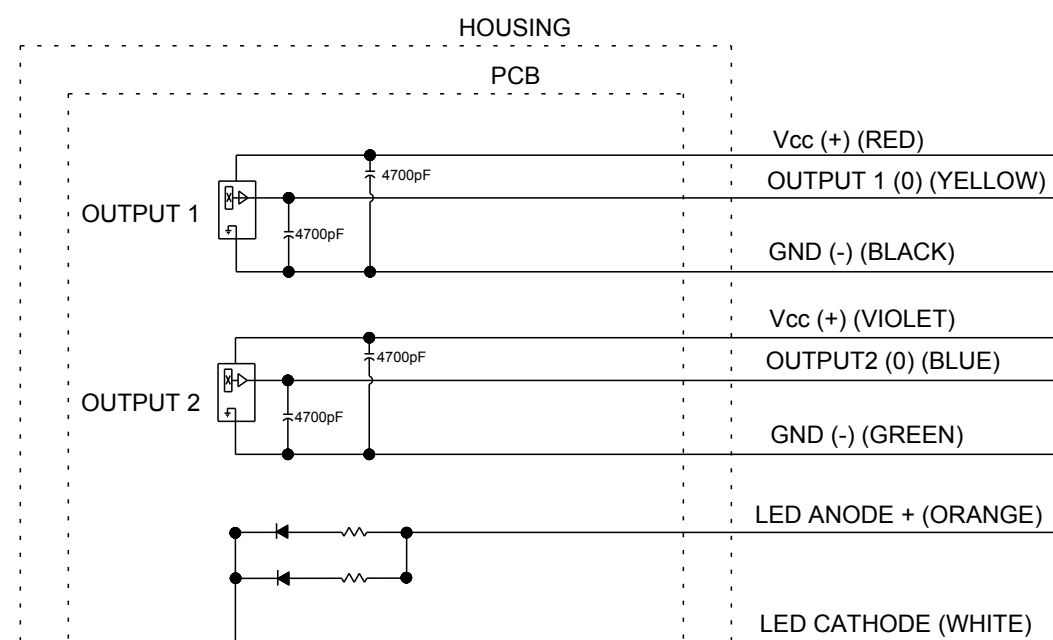


WIRING OPTION 1 COMMON POWER AND GROUND



OUTPUT 2 AND LED ARE NOT PRESENT IN ALL CONFIGURATIONS

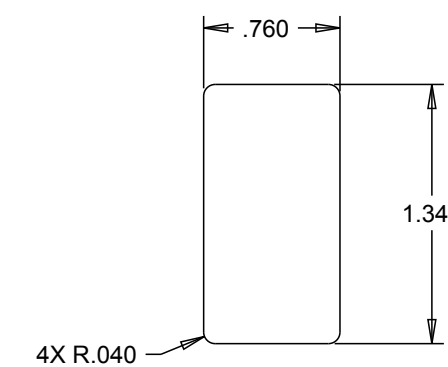
WIRING OPTION 2 SEPARATE POWER AND GROUND



OUTPUT 2 AND LED ARE NOT PRESENT IN ALL CONFIGURATIONS

MOUNTING:

- RECOMMENDED PANEL THICKNESS: 0.112 OPTIMUM THICKNESS (0.040 MIN. - 0.205 MAX.)
- RECOMMENDED PANEL OPENING: 0.760 X 1.340 OPTIMUM (0.760/.770 X 1.335/1.345)
- RECOMMENDED PANEL RADII: 0.040 OPTIMUM (0.070 MAX.)



LEGEND OPTION B SHOWN

UNLESS OTHERWISE SPECIFIED:
 DIMENSIONS ARE IN INCHES.
 TOLERANCES:
 .XX ±.03
 .XXX ±.010
 ANGLES ±2°
 DO NOT SCALE



THIS DOCUMENT IS THE CONFIDENTIAL PROPERTY OF OTTO ENGINEERING, INC. IT IS NOT TO BE USED IN ANY WAY DETRIMENTAL TO THE INTERESTS OF OTTO ENGINEERING, INC.

| DESCRIPTION | | | |
|--------------------------------------------------------------------------------|--------|---------------|-------------------|
| HFNR, HALL EFFECT, 3 POSITION ANALOG OUTPUT ROCKER WITH BACKLIGHTING OPTION | | | |
| DRWN. DCF | SIZE C | FSCM NO 21649 | DRAWING NO. HFNR- |
| CHKD. DCF | | | REV. C |
| APPD. AH | | | |
| THIRD ANGLE PROJECTION | | Scale 1:1 | Sheet 1 OF 1 |

